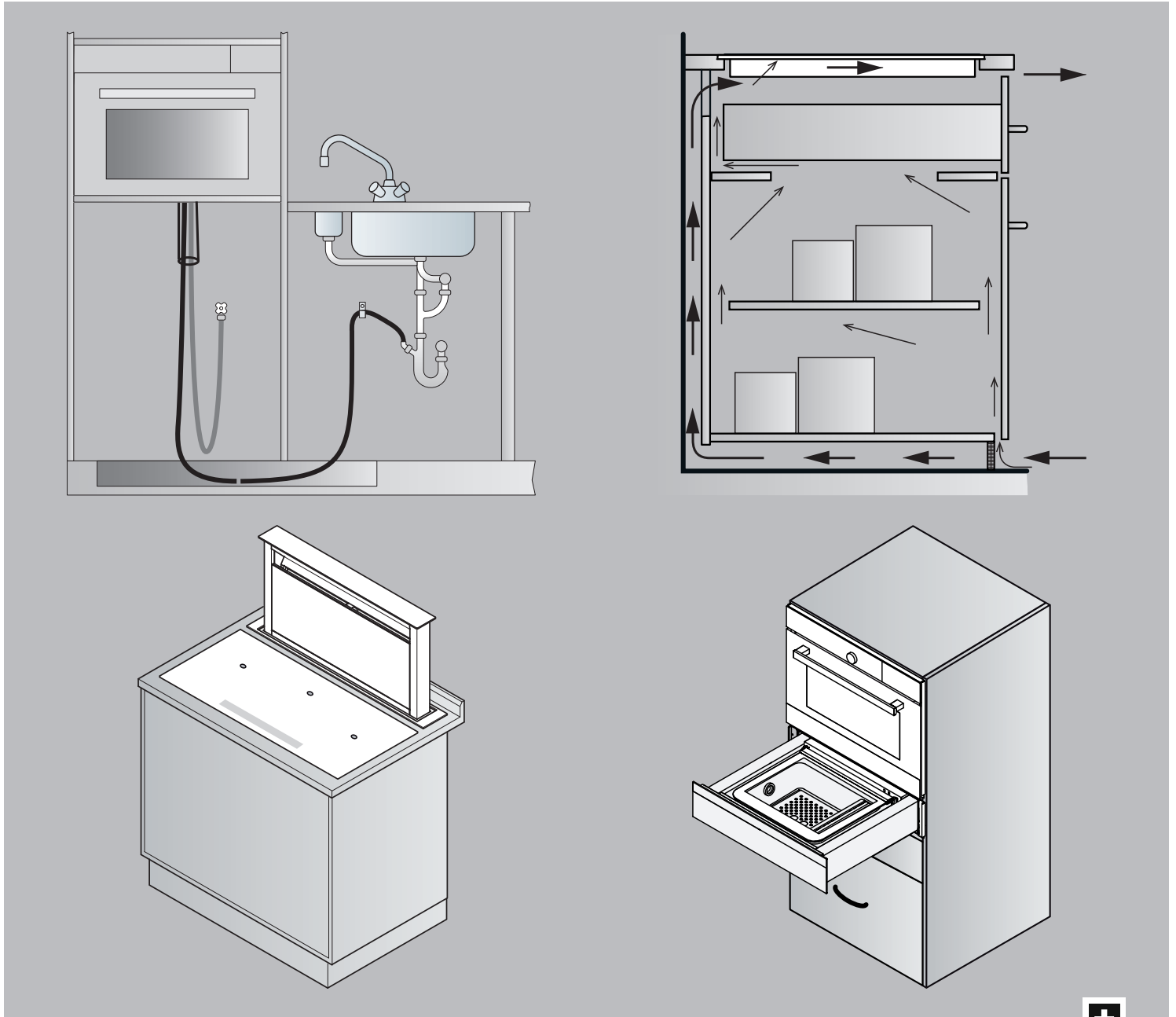




Swiss perfection for your home



Planning aid

International collection
Kitchen appliances
2017/2018



Note on content

Please note

This planning aid applies to the specified model numbers only. Older planning aids for earlier generation models may be requested in electronic form from our Customer Services.

This planning aid is not to be used as installation instructions! The regulations and instructions binding for the appliance installation are to be obtained from the installation instructions packed with the appliances. The installation instructions can also be downloaded from the internet from www.vzug.com/b2b.

Modifications

Text, diagrams and data correspond to the technical standard of the appliances at the time this planning aid went to press. The right to make technical modifications for the purpose of the further development of the appliances is reserved. The German, English, French and Italian versions are binding. V-ZUG accepts no liability for translations in other languages.

Symbols used



Denotes important safety precautions.

Failure to observe said precautions can result in injury or in damage to the appliance or fittings!

► Indicates an instruction.

• Indicates a list.



Information and precautions that should be observed.

Supplementary documents

In this planning aid, occasional reference is made to supplementary documents. These documents can be requested from the Head Office in Zug by sending an e-mail to service-support@vzug.com.

Useful links

- www.vzug.com
- www.vzug.com/b2b
- www.lifestyle.vzug.ch

Key to country groups

Country group	Country code (in accordance with ISO 3166)	Country group	Country code (in accordance with ISO 3166)
A	EU European Union TR Turkey IL Israel LB Lebanon	D	AU Australia NZ New Zealand
B	GB Great Britain	E	RU Russia UA Ukraine
C	HK Hong Kong SG Singapore	F	CN China



Contents

1	Overview of connections, ranges and dimensions	5
1.1	General operating conditions	5
1.2	Using residual current devices in house wiring system / fault current.....	5
1.3	Validity.....	6
1.4	Positions of electrical connections	8
1.5	Built-in EURO.....	9
1.6	Front dimensions of the appliances	10
2	Steam cookers	11
2.1	General notes.....	11
2.2	Electrical connection data	11
2.3	Air circulation diagram for Combi-Steam MSLQ	12
2.4	Combi-Steam MSLQ (23015).....	12
2.5	Combair-Steam SL (23012/23013), SE (23010).....	12
2.6	Combi-Steam HSL (23004), Steam HSE (23002).....	13
2.7	Combi-Steam XSL (23005/23006), Steam XSL (23023)	13
2.8	Combi-Steam XSLF (23007/23008).....	14
3	Ovens	17
3.1	General notes.....	17
3.2	Electrical connection data	17
3.3	Combair SL (21022/21029), SE (21016), SLP (21025), SEP (21019).....	17
3.4	Combair XSL (21023/21030), XSE (21017), XSLP (21028), XSEP (21027)	18
3.5	Combair HSE (21004).....	18
4	Vacuum drawer, warming drawers and system drawers	19
4.1	General notes.....	19
4.2	Electrical connection data	19
4.3	Vacuum drawer	20
4.4	Warming drawers	21
4.5	System drawers	24
5	Microwaves	25
5.1	General notes.....	25
5.2	Electrical connection data	25
5.3	Miwell-Combi HSL (24008), Miwell HSL (24006).....	25
5.4	Miwell-Combi XSL (24009)	26
5.5	Miwell L (24002).....	26
6	Coffee-Centers	27
6.1	General notes.....	27
6.2	Electrical connection data	27
6.3	Supremo HSL (25002)	27
6.4	Supremo XSL (25003)	27
7	Combination possibilities	28
7.1	Oven & mini oven & steam cooker	28
7.2	Oven & microwave	29
7.3	Oven & coffee-center	31
8	Glass ceramic hobs – induction, wok, teppanyaki	32
8.1	General notes.....	32
8.2	OptiGlass coating	32
8.3	Electrical connection data	32
8.4	Ventilation	33
8.5	Framed installation with standard mounting frame.....	34
8.6	Framed installation with «DualDesign»	36
8.7	Flush installation	41
8.8	Installation without protective plate	47
8.9	Installation with protective plate	49
8.10	Installing above oven / steam cooker	51



9 Gas hobs	52
9.1 Electrical connection data	52
9.2 Ventilation	53
9.3 Gas connection	53
9.4 Setting up appliance to use local gas type	54
9.5 Framed installation with «DualDesign»	55
9.6 Flush installation with «DualDesign»	58
10 Combined hob installation	61
10.1 Surface-mounted combination	61
10.2 Examples of surface-mounted combinations	62
10.3 Flush combination	63
10.4 Examples of flush combinations	64
11 Range hoods	65
11.1 General notes	65
11.2 Special hoods	65
11.3 Ceiling range hoods	77
11.4 Island hoods	80
11.5 Wall hoods	86
11.6 Built-in hoods	93
12 Dishwashers	106
12.1 General notes	106
12.2 Electrical connection data / plumbing in	106
12.3 Installation overview	109
12.4 Drilling plans for decor panel 60 cm	110
12.5 Adora SL, S, N with niche width 60 cm	111
13 Dishwashers with heat pump	116
13.1 General notes	116
13.2 Electrical connection data / plumbing in	117
13.3 Installation summary	119
13.4 Drilling plans for decor panel 60 cm	119
13.5 Adora SL WP with niche width 60 cm	120
14 Refrigerators	123
14.1 General notes	123
14.2 Electrical connection data	123
14.3 Ambient conditions	123
14.4 Niche ventilation	124
14.5 Refrigerators	126
14.6 Winecoolers	128
15 Accessories	129
15.1 Ovens / steam cookers / microwaves / coffee machines / vacuum drawers / warming drawers / system drawers	129
15.2 Hobs and hob hoods	130
15.3 Range hoods	133
15.4 Dishwashers	142
15.5 Refrigerators	143
16 Notes	146



1 Overview of connections, ranges and dimensions



Electrical connections must be carried out by qualified experts in accordance with the guidelines and standards for low-voltage installations and the specifications of the local electricity supply companies.

A plug-in appliance may only be connected to a socket outlet with earthing contact, installed according to specifications. An all-pole mains isolating device with 3 mm contact opening should be provided in the house wiring system. Switches, plug and socket devices, circuit breakers and fusible cut-outs which are accessible after installation and which have all-poles switching are permissible as isolating devices. Effective earthing and separately installed neutral and earth conductors ensure safe and fault-free operation. After installation, live parts and cables with basic insulation must not be accessible. Check old installations.



Electrical connections must be carried out by qualified experts.
 Plan a separate inlet for the electrical connection for each appliance.

1.1 General operating conditions



Detailed information on the electrical connection data can be found at the beginning of each section.

Value	Nominal value	Minimum	Maximum
Voltage	230 V	207 V	253 V
Voltage	400 V	360 V	440 V
Frequency	50 Hz sinusoidal	49 Hz sinusoidal	51 Hz sinusoidal

- Short duration frequency variation in the mains: $\pm 5\%$
- Long duration frequency stability in the mains (for synchronous clocks): ± 10 ppm
- The appliances are designed for use up to a max. altitude of 2000 m above sea level.

1.2 Using residual current devices in house wiring system / fault current

High fault currents are inherently present in ovens and hobs. The values can be affected by various factors and vary widely. Fault currents of up to approximately 10 mA per appliance are permissible in accordance with the norm. The values are measured in the warm operating state.

If residual current devices (RCDs) are used in the house wiring system, we recommend that the above-mentioned appliances have their own RCD protection, separate from the power supply for the rest of the system. 30 mA or higher should be selected as the tripping current for the residual current device.



1.3 Validity

The product family (model number) corresponds to the first alphanumeric of the serial number on the identification plate.

Product	Product family	Product	Product family
Steam cookers		Glass ceramic hobs – induction	
Combair-Steam SE	23010	GK16TIWSZ	31088
Combair-Steam SL	23012/23013	GK17TIYSZ	31076
Combi-Steam HSL	23004	GK26TIMSZ	31084
Combi-Steam MSLQ	23015	GK27TIMSZ	31085
Combi-Steam XSL	23005/23006	GK27TIYSZ	31077
Combi-Steam XSLF	23007/23008	GK46TIABS.1F	31017
Steam HSE	23002	GK46TIABS/C	028
Steam cooker XSL	23023	GK46TIAKS/C/F	90A
		GK46TIMASC/Z	31091
		GK46TIMGC/Z	31090
		GK46TIMPSZ	31080
		GK46TIMSC/F	31086
		GK46TIMXSC/Z	31087
		GK47TIMPSZ	31079
		GK56TIMSCO/ZO	31081
		GK57TIMSZO	31082
Ovens		Gas hobs	
Combair HSE	21004	GAS311EKBZ	31046
Combair SE	21016	GAS311GKBZ	31073
Combair SEP	21019	GAS321EKBZ	31050
Combair SL	21022/21029	GAS321GKBZ	31074
Combair SLP	21025	GAS411GSAZ/GSBZ	31063
Combair XSE	21017	GAS421GSAZ/GSBZ	31064
Combair XSEP	21027	GAS641EKAZ	31054
Combair XSL	21023/21030	GAS641GSAZ	31071
Combair XSLP	21028	GAS731EKBZ	31056
		GAS731GKBZ	31075
		GAS951GSAZ	31072
Vacuum drawer		Special hoods	
VS60144	36001	DSMS	64005
		DSTS9	64004
Warming drawers		Ceiling range hoods	
WS60144	34010	DSDSR12	64003
WS60162	34011		
WS60220	34012		
WS60283	34013		
WS60312	34014		
System drawers		Island hoods	
SYS60144	35001	DIAS10	63009
SYS6076	35002	DIB10	816
		DIB12	63008
		DIB14	821
		DIPQ10	63007
		DIPQ13	63006
		DIPQG10	63004
		DIPQG12	63005
		DIQS10	63011
Microwaves			
Miwell HSL	24006		
Miwell L	24002		
Miwell-Combi HSL	24008		
Miwell-Combi XSL	24009		
Coffee-Centers			
Supremo HSL	25002		
Supremo XSL	25003		



Product	Product family	Product	Product family
Wall hoods		Dishwashers	
DWB9	993	GS Adora N	41052, 41063, 41075, 41077
DWB12	62008	GS Adora S	41050, 41066, 41079, 41080
DWPQ12	62006	GS Adora SL	41048, 41059–41061, 41085, 41086
DWPQ9	62007	GS Adora SL WP	41046, 41082
DWPQG9	62004	Refrigerators	
DWPQG12	62005	Cooltronic	51047
DWVHR9	62010	De Luxe 60i eco	51060
DWVMR9	62009	Futura 60i eco	51061
Built-in range hoods		Komfort 60i	51048
DEHE5	61021	Noblesse	51046
DEHE7	61022	Prestige	51044
DEHMR5	61023	Prestige P 60i eco	51052
DEHMR7	61024	Prestige T	51081
DEHMR8	61025	Royal 60i	51018
DFPQ6	61015	Winecooler SL60	51075
DFPQ9	61014	Winecooler SL90	51082
DFPQ12	61013		
DFPQSL6	61008		
DFPQSL9	61007		
DFSG6	61031		
DGSG9	61033		
DHL8	64001		
DHL11	64002		

1.4 Positions of electrical connections

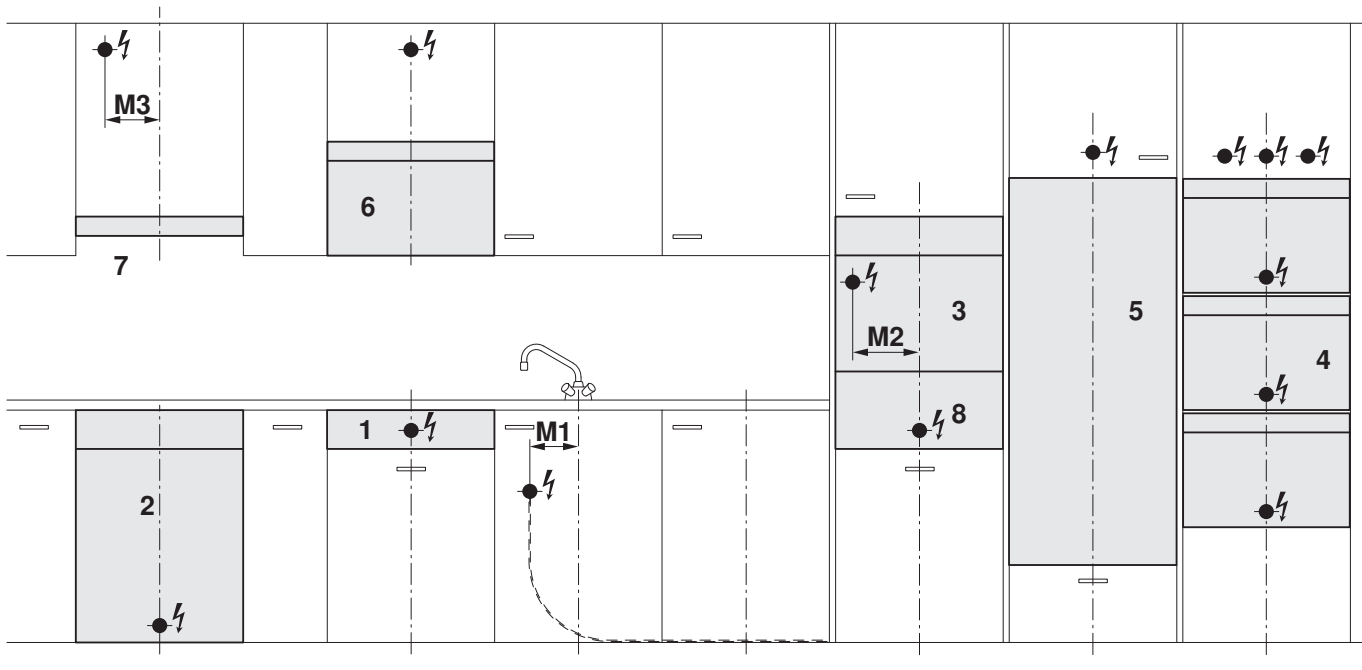
For EURO kitchens, allowance from the floor can vary. In this case, the electrical connection should be calculated using the dimension from the bottom edge of the appliance.

Oven above an oven

With this combination, an electrical connection should be provided for each appliance. Depending on the installation height and the type of combination, the connections may be located at different heights.

Wall hoods with telescopic casing

The electrical connection must pass between the exhaust air piping and the lagging sheets. The measurements given in the table ensure that this condition is met.



- 1 Wide switch box / control box / autarchic hob
- 2 Refrigerator in base unit / dishwasher
- 3 Oven/coffee-center
- 4 Combinations (oven / steam cooker / microwave)
- 5 Refrigerator, winecooler in tall unit
- 6 Microwave in a wall unit
- 7 Range hood
- 8 Warming drawer

- M1** Distance from centre to dishwasher/refrigerator connection in base unit
- M2** Distance from centre to coffee-center connection
- M3** Distance from centre to range hood connection



Provide additional clearance for electrical connections if the installation niche has only the minimum depth.



1.5 Built-in EURO

No.	Designation	Connection from appliance support	Connection in niche	Type of connection
1	Oven, steam cooker (height 600 mm)	max. 30 mm (plinth height 100 mm)	Centre	I
2	Control box, autarchic hob	–	Centre	I
3	Dishwasher	–	M1 = 160 mm	U
	Refrigerator in base unit	–	M1 = 160 mm	U
4	Oven, steam cooker (height 600 mm)	max. 30 mm	Centre	I
	Oven, steam cooker (height 380 mm / 450 mm)	max. 30 mm	Centre	I
	Microwave (height 380 mm)	max. 300 mm	Centre	I, U
	Microwave (height 450 mm)	max. 400 mm	Centre	I
	Coffee-Centers	max. 300 mm	M2 = 225 mm	I, U
5	Double combination (height 600 mm) Triple combination variants	max. 30 mm	Centre	I, U
6	Refrigerator, winecooler in tall unit up to and including 12/6, EURO 1530 mm	–	Centre	U
	Refrigerator in tall unit from 13/6, EURO 1540 mm			
7	Microwave in a wall unit	–	Centre	U
8	Warming drawer	–	Centre	U

I See separate installation instructions

M1 Distance from centre to dishwasher/refrigerator connection in base unit

M2 Distance from centre to coffee-center connection

U Flush power socket 230 V

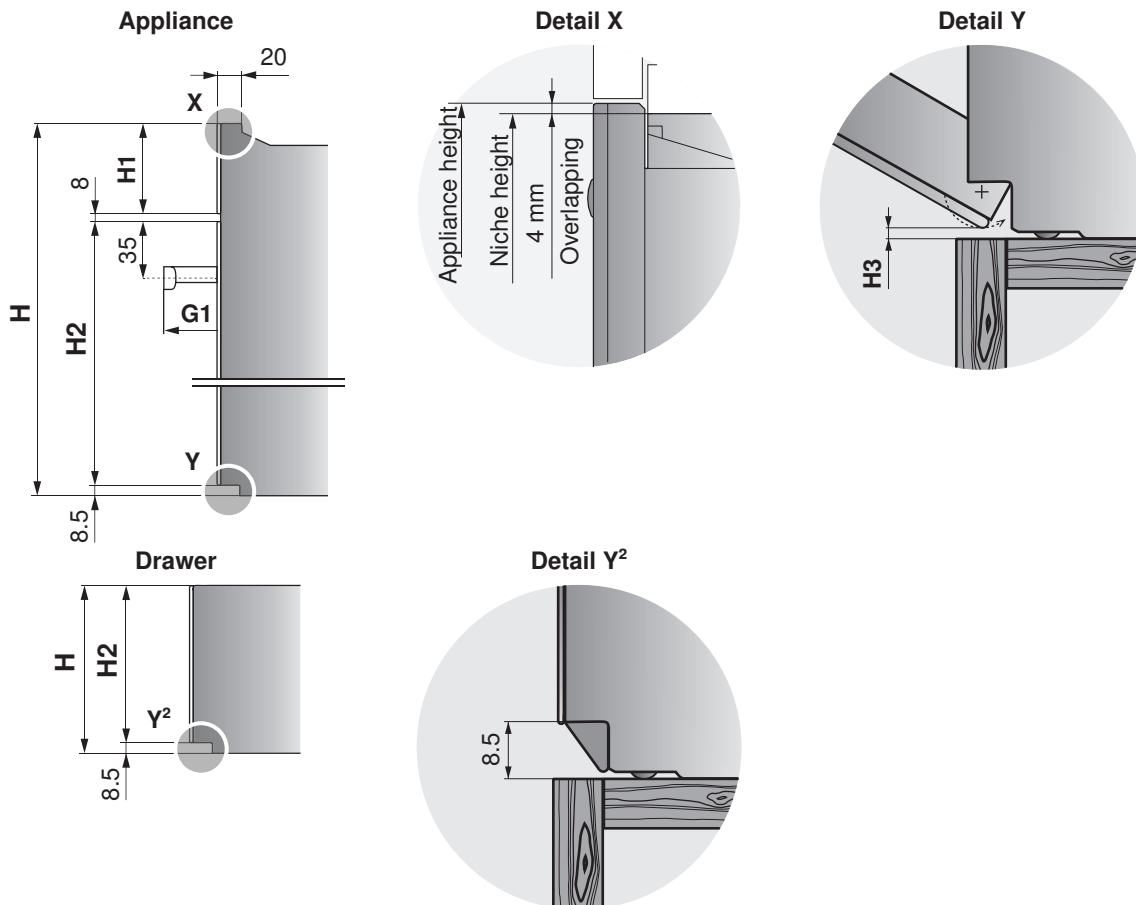
1.6 Front dimensions of the appliances



Manufacturing tolerance: ± 1 mm

Appliance height H	Panel height H1	Door glass height H2	Designer handle G1*	Handle length / hole distance
598	124	457.5	43	445/383
454	80	357.5		
378	50	311.5		
310	-	301.5	-	-
281		272.5		
218		209.5		
160		151.5		
142		133.5		
74		65.5		

* Not valid for appliances with retractable handle



Appliances	H3
Oven, steam cooker	4 mm
Microwave, coffee-center, system drawer, vacuum drawer and warming drawer	0 mm

2 Steam cookers

Only use if water hardness >3° French hardness (>1.7° German hardness).

2.1 General notes



Efficient repairs can only be guaranteed if it is possible to uninstall the whole appliance at any time without causing any damage.

To ensure adequate ventilation, the niche in which the appliance stands must have a supply air opening of min. 25 cm².

2.2 Electrical connection data

Appliance	Country group *	Mains connection	Fuse	Rated load	Mains cable
Combi-Steam MSLQ **	A, B, C, D, E, F	400 V 2N~ 50 Hz	16 A	5700 W	min. 1.8 m, without plug
		230 V~ 50 Hz	25 A ***		
Comhair-Steam SL, Comhair-Steam SE, Combi-Steam HSL, Combi-Steam XSL(F), Steam XSL	A, E	230 V~ 50 Hz	16 A	SE, SL, XSL(F): 3700 W	min. 1.8 m, with plug
	B, C				min. 1.8 m, without plug
	D	220–240 V~ 50 Hz	16 A	HSL: 3500 W	min. 1.8 m, with plug
	F				
Steam HSE	A, B, C, E	230 V~ 50 Hz	10 A	2200 W	min. 1.8 m, with plug
	D, F	220–240 V~ 50 Hz			

* Country group (see page 2)

** The Combi-Steam MSLQ can also be operated with a single-phase connection (230 V~ / max. 16 A). For performance reasons, however, it is to be connected with a two-phase connection or fitted with a 25 amp fuse whenever possible.

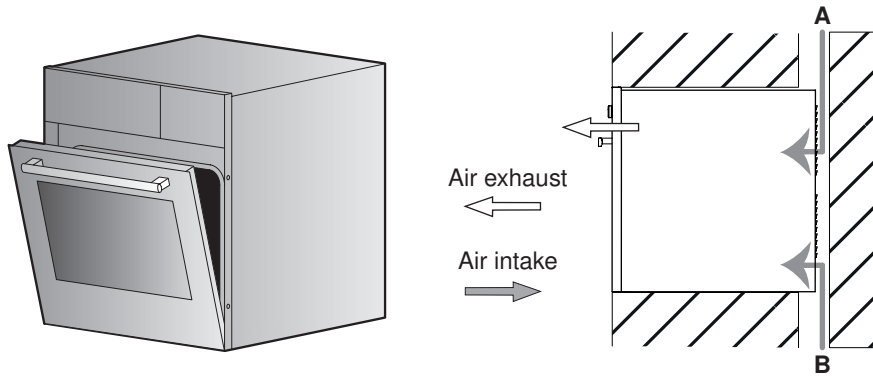
*** This appliance conforms to IEC 61000-3-12 provided that the short-circuit power S_{sc} at the connection point of the customer system to the public power system is greater than or equal to 1140 kW. It is the responsibility of the installer or user of the appliance to ensure, if necessary after consultation with the network operator, that this appliance is only connected to a connection point with a S_{sc} value that is greater than or equal to 1140 kW.

2.3 Air circulation diagram for Combi-Steam MSLQ

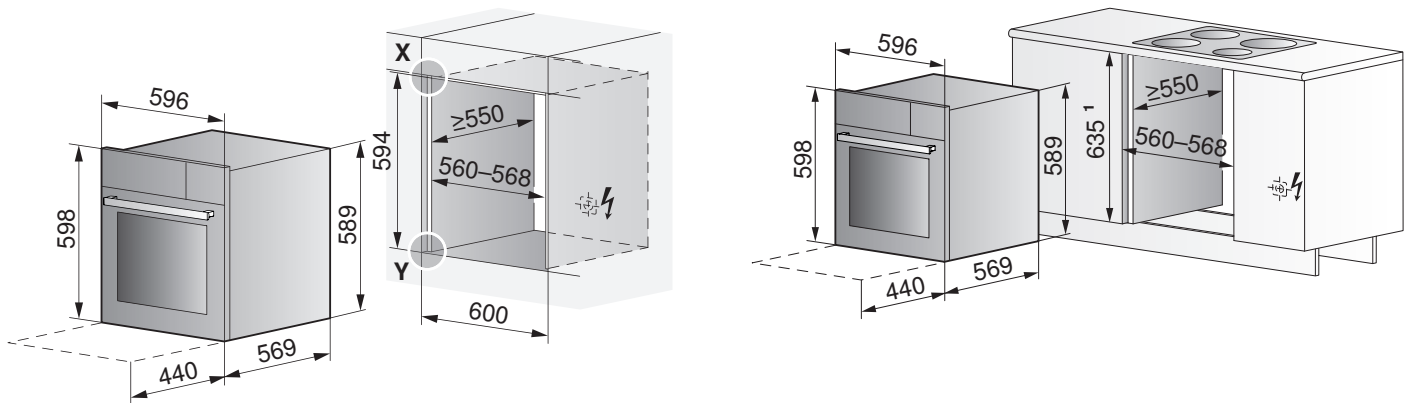


To ensure good ventilation, the niche in which the appliance stands must have a supply air vent, position **A** and **B**, of a total of ≥ 80 to ≤ 850 cm², of which **B** must be ≥ 60 cm².

Installation below an induction hob (see page 51).

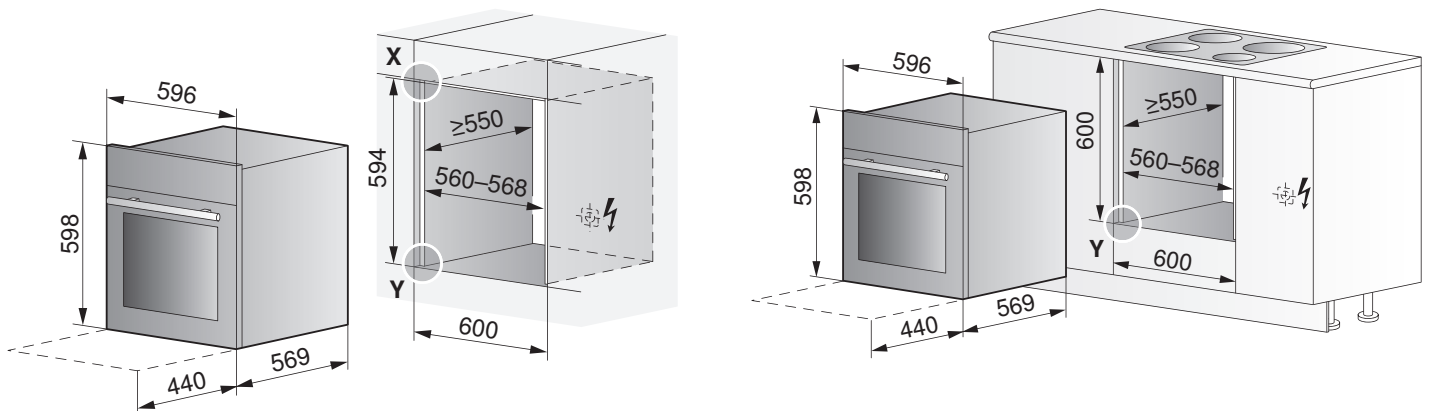


2.4 Combi-Steam MSLQ (23015)



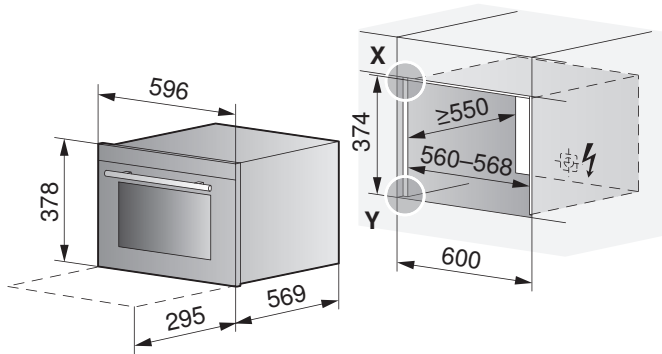
¹ For niche height 635 mm: Compensation elements, see the Accessories (see page 129) section.

2.5 Combair-Steam SL (23012/23013), SE (23010)

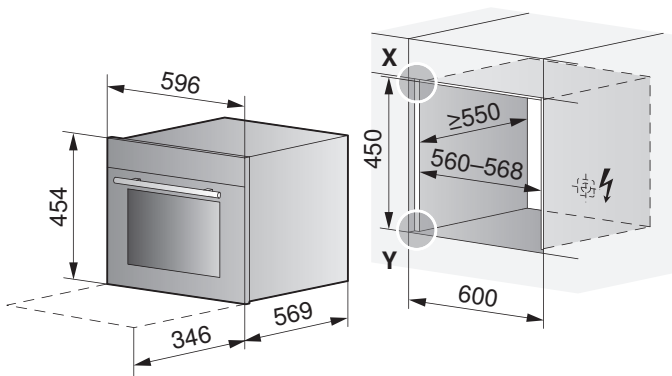


Front dimensions of the appliances: Detail X/Y (see page 10)

2.6 Combi-Steam HSL (23004), Steam HSE (23002)

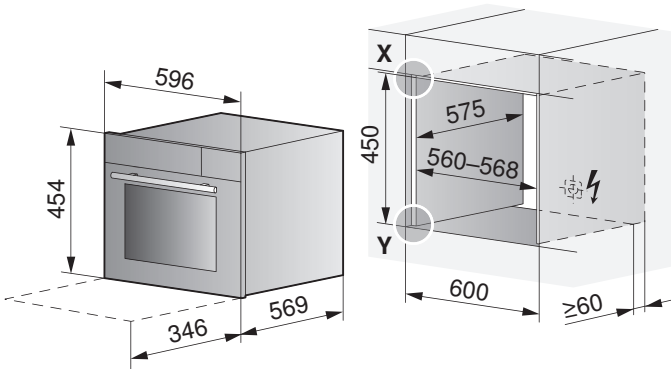


2.7 Combi-Steam XSL (23005/23006), Steam XSL (23023)



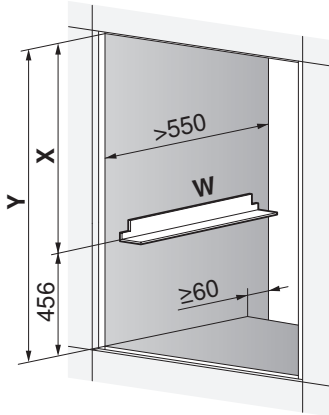
Front dimensions of the appliances: Detail X/Y (see page 10)

2.8 Combi-Steam XSLF (23007/23008)

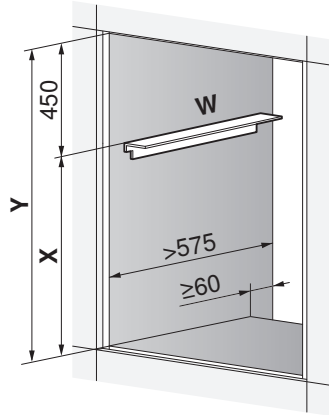


Front dimensions of the appliances: Detail X/Y (see page 10)

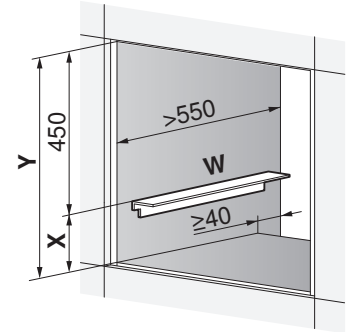
Below second appliance



Above second appliance



Above warming drawer



X = Height of second appliance

Y = Niche height

W = Angle set K50572

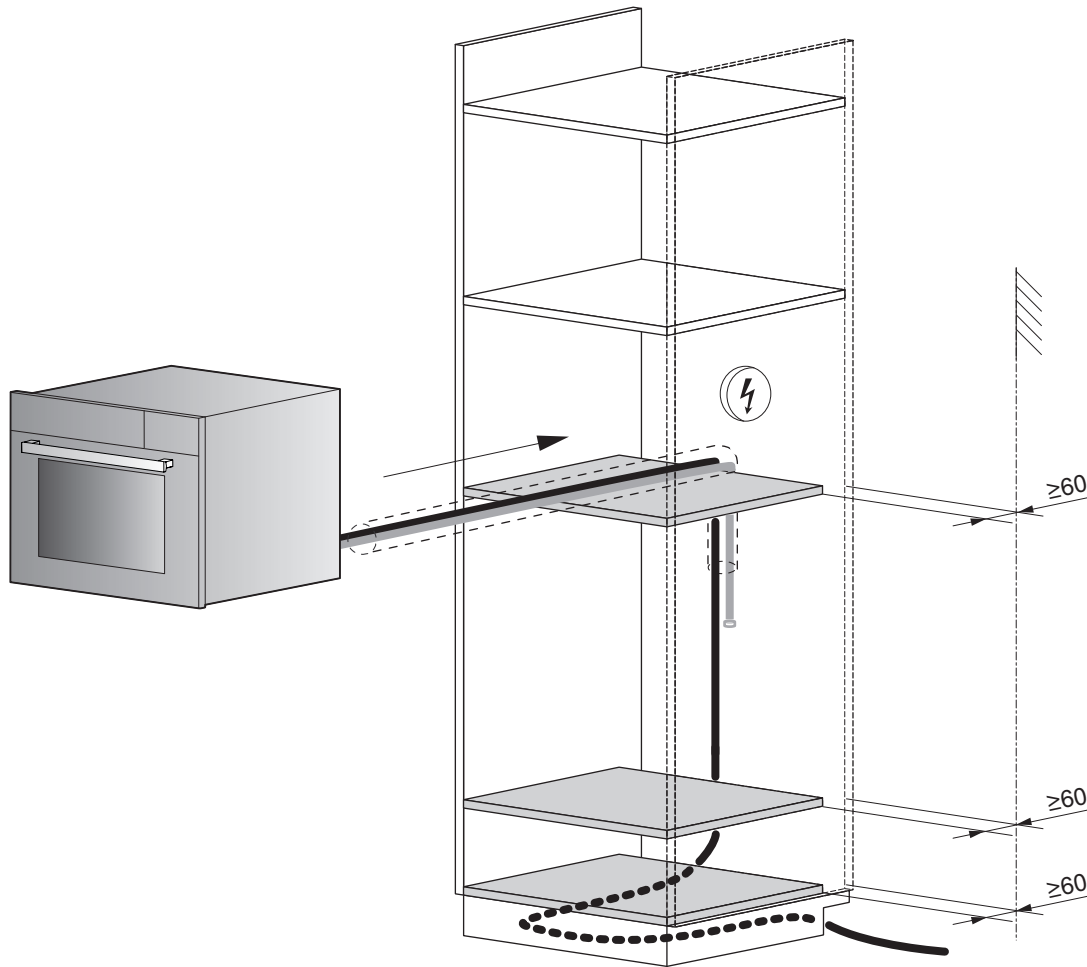


For an installation depth of under 575 mm, it is recommended that the appliance be installed below other appliances for space reasons.

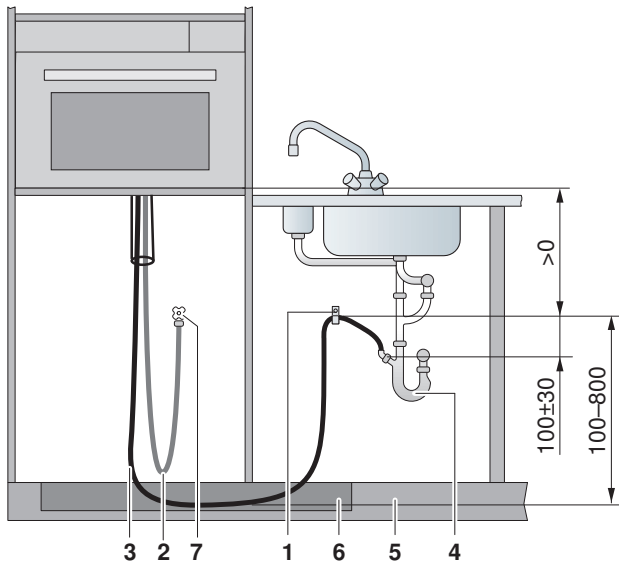
If installing with a second appliance in the same niche, use the angle set **W** (K50572).



Installation



Plumbing in



- 1 Hose clamp
- 2 Reinforced inlet hose 2 m, G 3/4"
- 3 Drain hose 3 m, internal diameter of connection 22 mm

On-site installations

- 4 Drain trap
- 5 Plinth panel
- 6 Hose fed through plinth
- 7 Cold water connection with stopcock

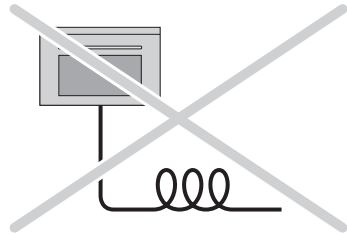
Drain

Length of drain hose: 3 m

- An optional 5 m drain hose (Art. no. 1012933) can be ordered if required.



The drain hose must not be lengthened or shortened.
The drop from the bottom of the appliance to the drain trap must be at least 50 mm.
The drain hose must be laid flat without any kinks.



Cold water connection inlet

Operating pressure: 0.1–1.0 MPa (1–10 bar)

Only use if water hardness >3° French hardness (>1.7° German hardness).

Length of reinforced hose: 2 m



Observe local water authority regulations.
Existing hoses that are defective must be replaced.
The reinforced hose must not be lengthened.
The stop-cock must be accessible at all times.



3 Ovens

3.1 General notes



Efficient repairs can only be guaranteed if it is possible to uninstall the whole appliance at any time without causing any damage.

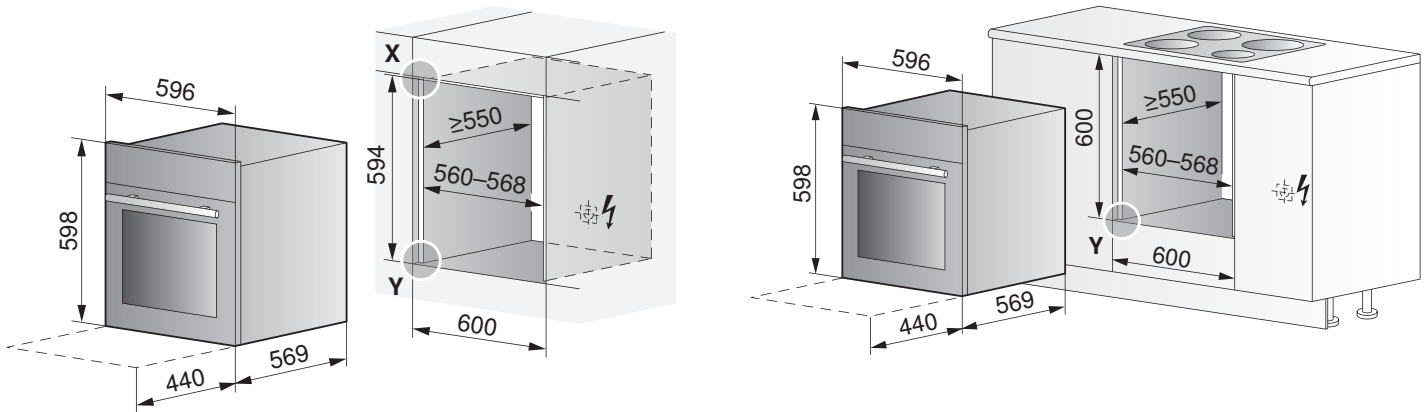
To ensure adequate ventilation, the niche in which the appliance stands must have a supply air opening of min. 25 cm².

3.2 Electrical connection data

Appliance	Country group *	Mains connection	Fuse	Rated load	Mains cable
Comhair SLP, SL, SE, SEP Comhair XSLP, XSEP Comhair XSL, XSE Comhair HSE	A, E	230 V~ 50 Hz	16 A	SL(P), SE(P): 3400 W XSL(P), XSE(P): 3300 W HSE: 3100 W	min. 1.8 m, with plug
	B, C				min. 1.8 m, without plug
	D	220-240 V~ 50 Hz			min. 1.8 m, with plug
	F				

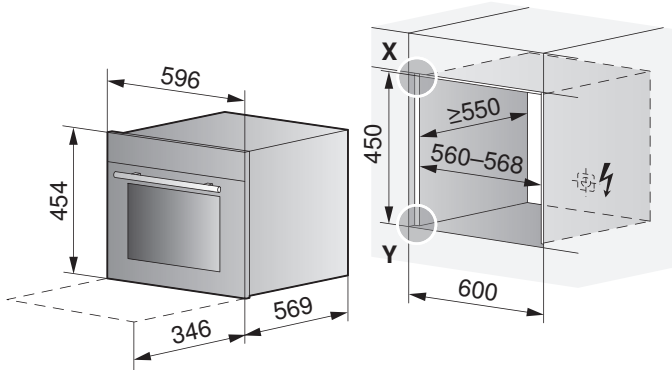
* Country group (see page 2)

3.3 Comhair SL (21022/21029), SE (21016), SLP (21025), SEP (21019)

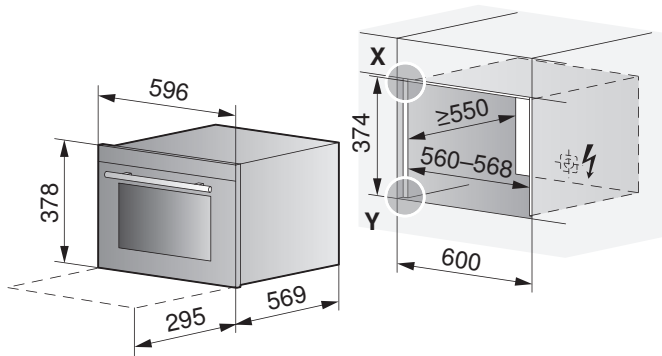


Front dimensions of the appliances: Detail X/Y (see page 10)

3.4 Comhair XSL (21023/21030), XSE (21017), XSLP (21028), XSEP (21027)



3.5 Comhair HSE (21004)



Front dimensions of the appliances: Detail X/Y (see page 10)

4 Vacuum drawer, warming drawers and system drawers

4.1 General notes



Efficient repairs can only be guaranteed if it is possible to uninstall the whole appliance at any time without causing any damage.

4.2 Electrical connection data



Plan a separate inlet for the electrical connection for each appliance.



General information on the electrical connections and an overview of the positions can be found in section Overview of connections, ranges and dimensions (see page 5).

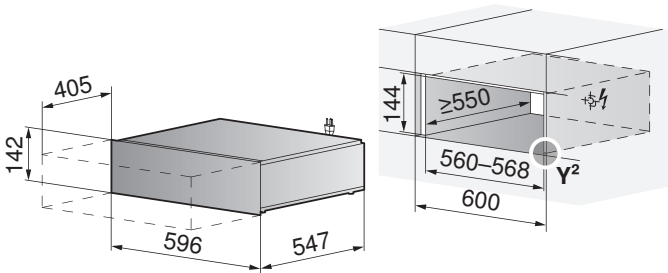
Appliance	Mains connection	Fuse	Rated load	Mains cable
Vacuum drawer	220–240 V~ 50 Hz	10 A	320 W	1.7 m, with plug
Warming drawers			810 W	

4.3 Vacuum drawer

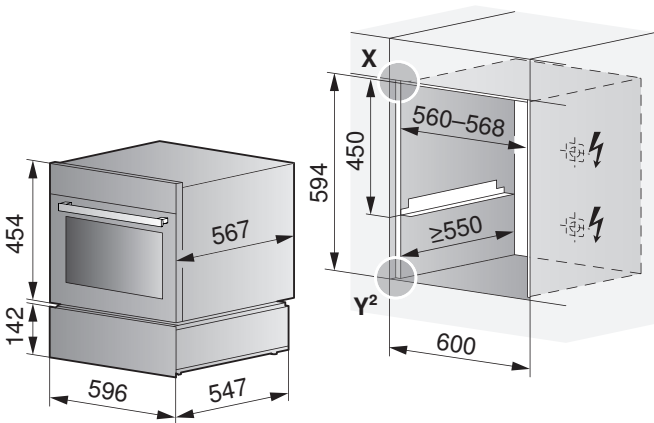
The mounting angles are not included in the scope of delivery. Order angle set K50572 at the same time.

VS60144 (36001)

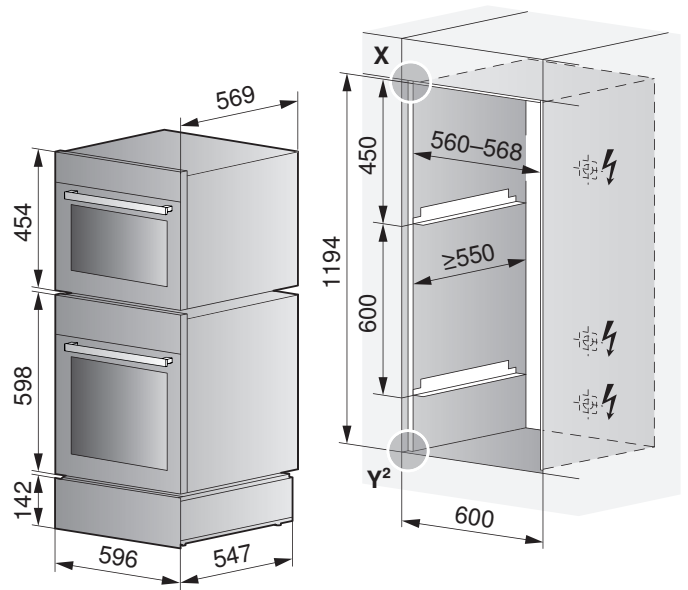
Built-in solo



Installing with compact oven or steam cooker



Installing with oven & compact oven or steam cooker



Front dimensions of the appliances: Detail X/Y² (see page 10)

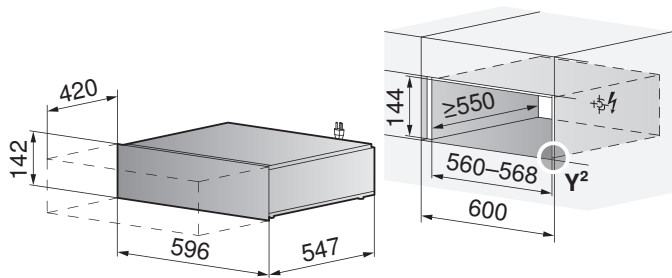
4.4 Warming drawers



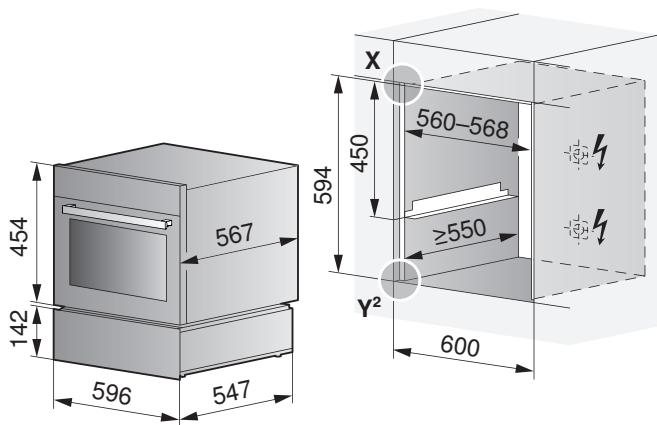
The mounting angles are not included in the scope of delivery. Order angle set K50572 at the same time.

WS60144 (34010)

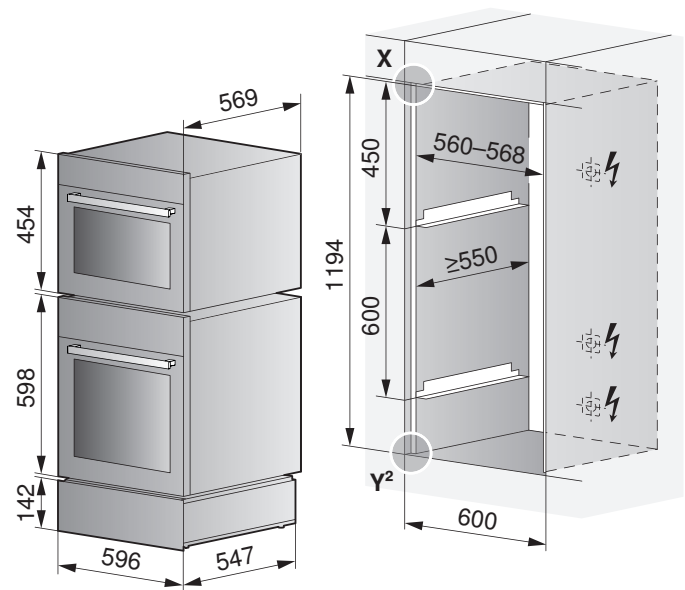
Built-in solo



Installing with compact oven or steam cooker



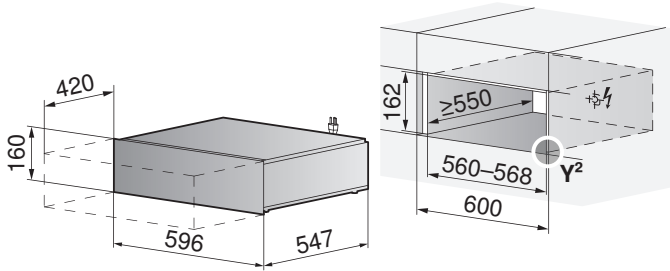
Installing with oven & compact oven or steam cooker



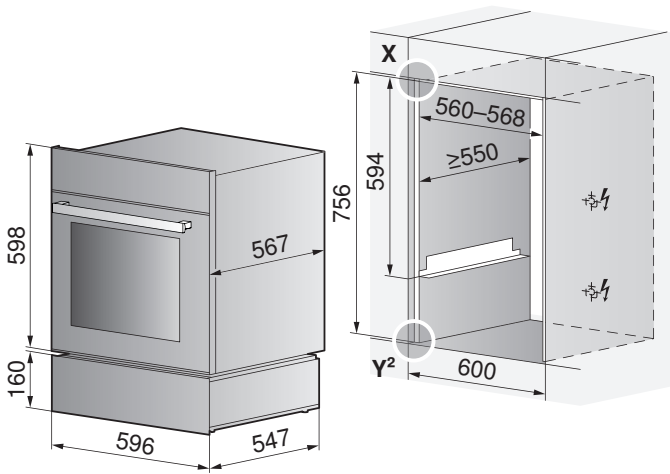
Front dimensions of the appliances: Detail X/Y² (see page 10)

WS60162 (34011)

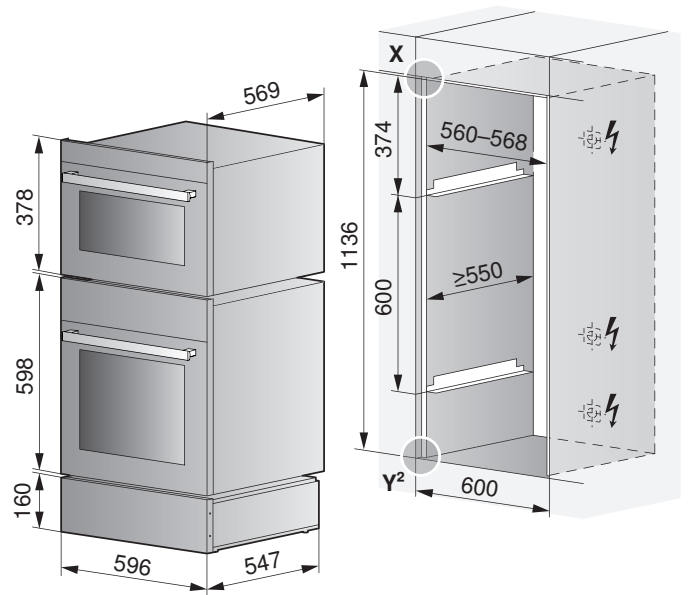
Built-in solo



Installing with an oven



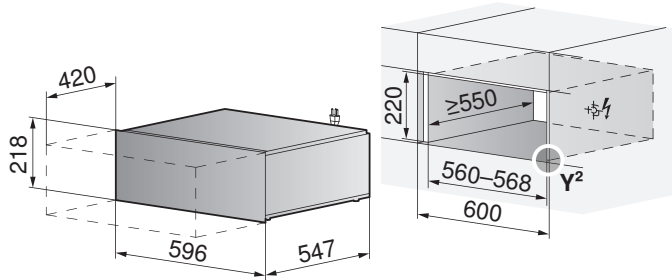
Installing with oven & mini oven or steam cooker



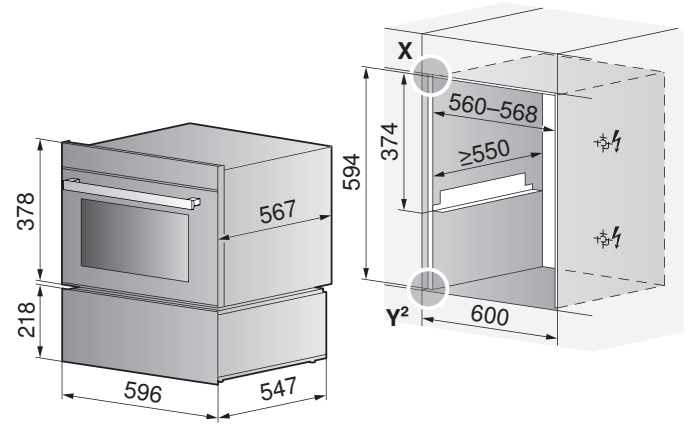
Front dimensions of the appliances: Detail X/Y² (see page 10)

WS60220 (34012)

Built-in solo

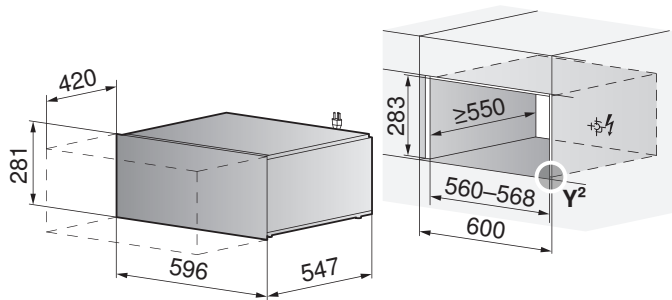


Installing with mini oven or steam cooker

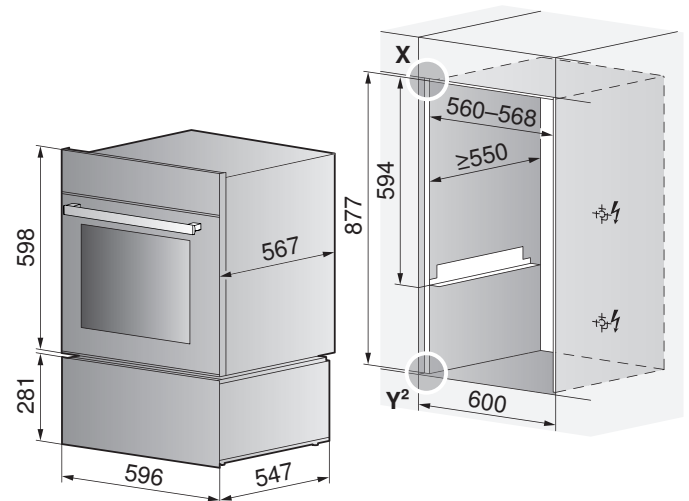


WS60283 (34013)

Built-in solo



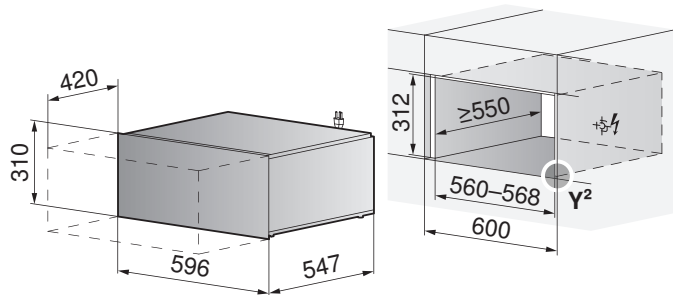
Installing with an oven



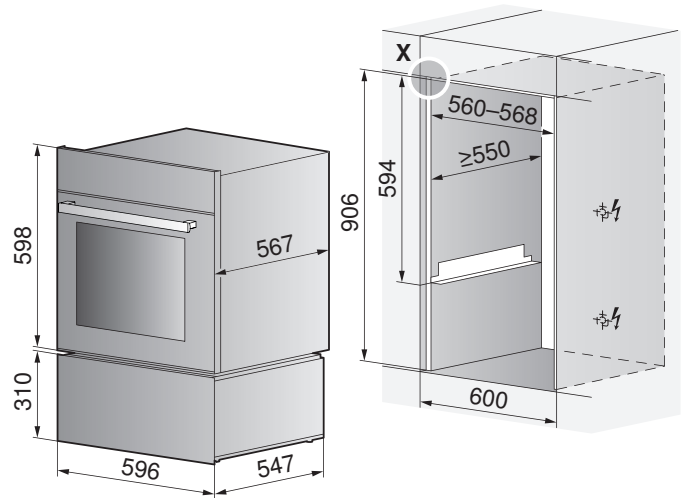
Front dimensions of the appliances: Detail X/Y² (see page 10)

WS60312 (34014)

Built-in solo



Installing with an oven

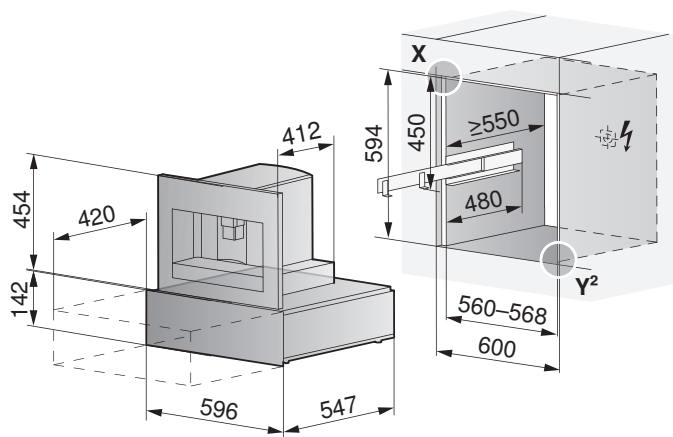


Front dimensions of the appliances: Detail X/Y² (see page 10)

4.5 System drawers

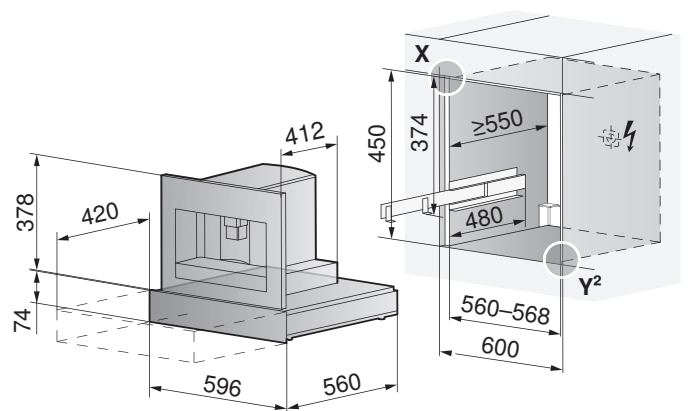
SYS60144 (35001)

Installing with Supremo XSL



SYS6076 (35002)

Installing with Supremo HSL



Front dimensions of the appliances: Detail X/Y² (see page 10)



The telescopic runner for the assembly and operation is included in the scope of delivery.

5 Microwaves



Minimum installation height for child safety: Keep 850 mm distance from the floor to the bottom edge of the microwave!



The mounting angles are not included in the scope of delivery. Order angle set K50572 at the same time.

5.1 General notes



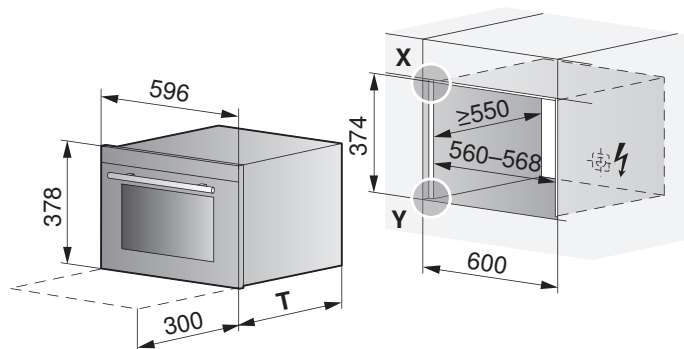
Efficient repairs can only be guaranteed if it is possible to uninstall the whole appliance at any time without causing any damage.

5.2 Electrical connection data

Appliance	Country group *	Mains connection	Fuse	Rated load	Mains cable
Miwell-Combi XSL	A, B, C, E	230 V~ 50 Hz	16 A	2800 W	1.2 m, with plug
	D	240 V~ 50 Hz			
	F	220 V~ 50 Hz			
Miwell-Combi HSL	A, B, C, E	230 V~ 50 Hz	10 A	2300 W	
	D	240 V~ 50 Hz			
	F	220 V~ 50 Hz			
Miwell HSL/L	A, B, C, E	230 V~ 50 Hz		1300 W	
	D	240 V~ 50 Hz			
	F	220 V~ 50 Hz			

* Country group (see page 2)

5.3 Miwell-Combi HSL (24008), Miwell HSL (24006)

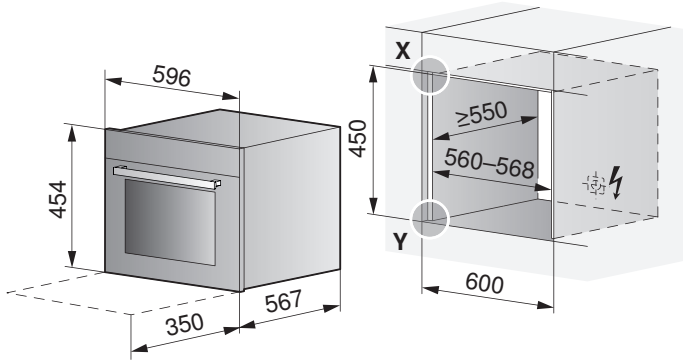


Appliance
 Miwell-Combi HSL
 Miwell HSL

T
 516 mm
 470 mm

Front dimensions of the appliances: Detail X/Y (see page 10)

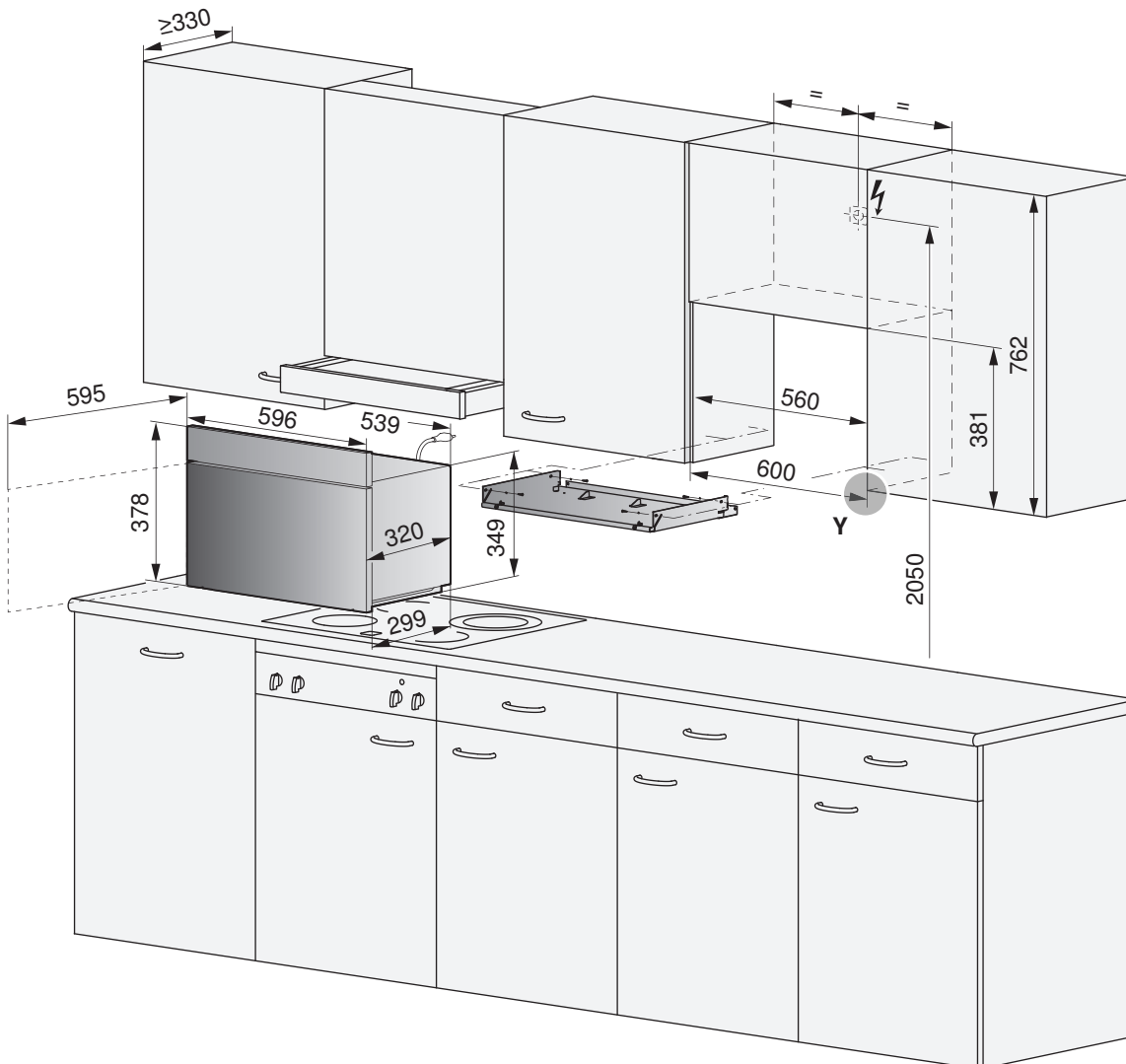
5.4 Miwell-Combi XSL (24009)



5.5 Miwell L (24002)



Left-hand hinge door!



Front dimensions of the appliances: Detail X/Y (see page 10)

6 Coffee-Centers



Depth of wall unit must be at least 480 mm.

6.1 General notes

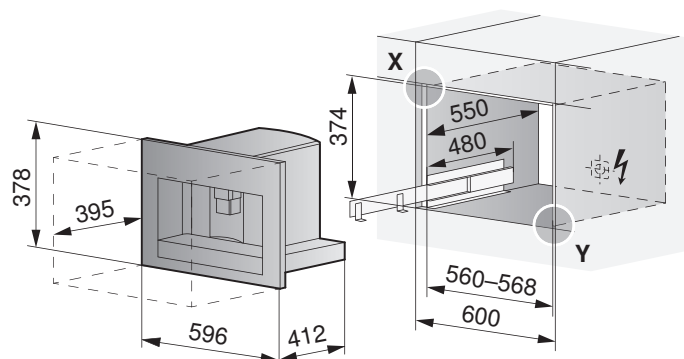


Efficient repairs can only be guaranteed if it is possible to uninstall the whole appliance at any time without causing any damage.

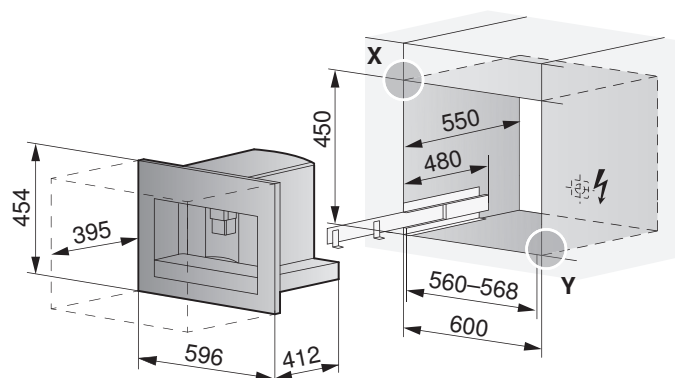
6.2 Electrical connection data

Mains connection	Fuse	Rated load	Mains cable
220–240 V~ 50/60 Hz	10 A	1350 W	1.8 m, with plug

6.3 Supremo HSL (25002)



6.4 Supremo XSL (25003)



Front dimensions of the appliances: Detail X/Y (see page 10)

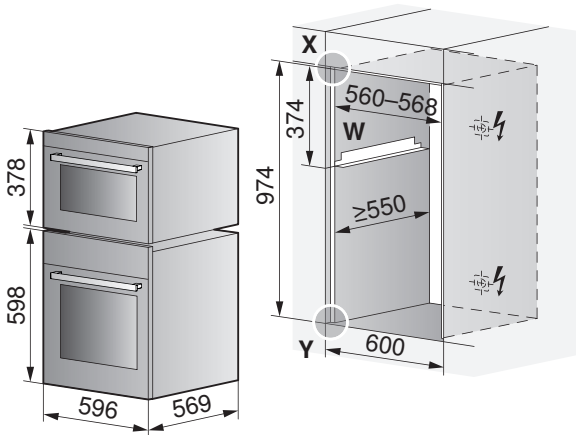
7 Combination possibilities

7.1 Oven & mini oven & steam cooker

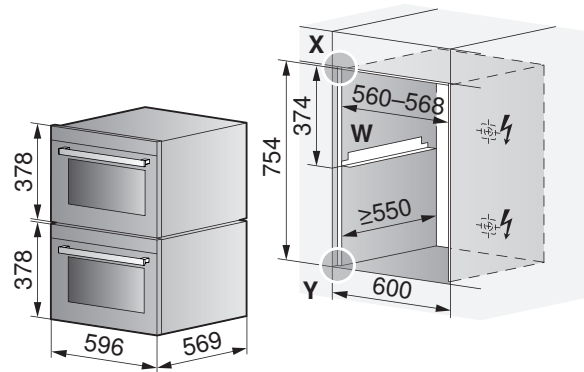


If installing with a second appliance in the same niche, use the angle set **W** (K50572).

Oven & mini oven / Combi-Steam HSL / Steam HSE

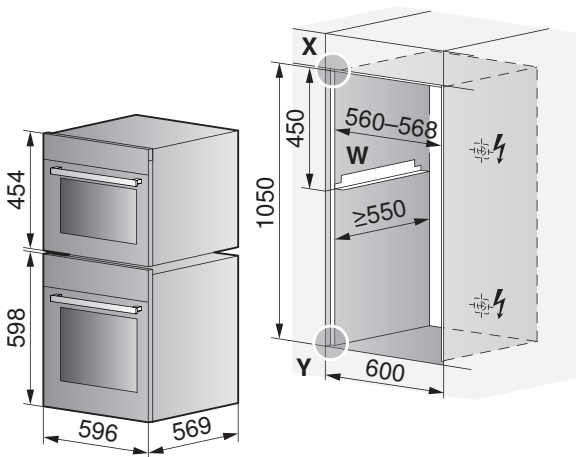


Combi-Steam HSL / Steam HSE & mini oven

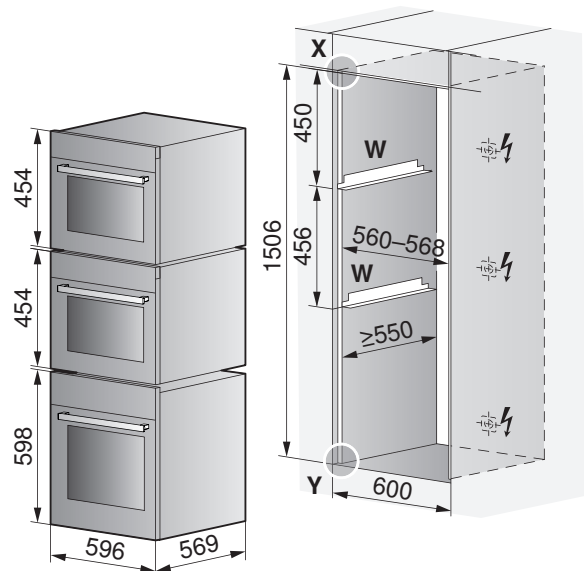


- Possible in base unit without hob.
- Possible in base unit with hob given 30 mm worktop (with ventilation grille only, see section Accessories (see page 129)).

Oven & compact oven or Combi-Steam XSL



Oven & compact oven & Combi-Steam XSL

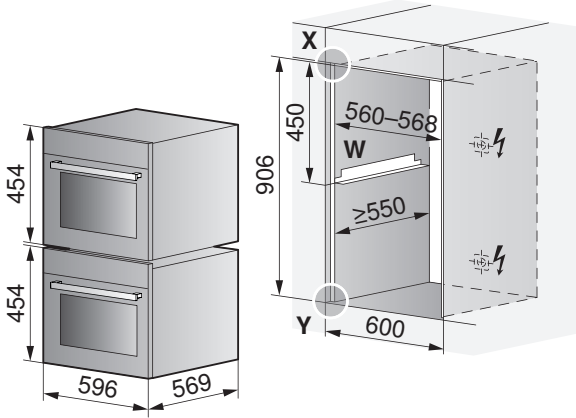


Front dimensions of the appliances: Detail X/Y (see page 10)



If installing with a second appliance in the same niche, use the angle set **W** (K50572).

Compact oven & Combi-Steam XSL



Front dimensions of the appliances: Detail X/Y (see page 10)

7.2 Oven & microwave



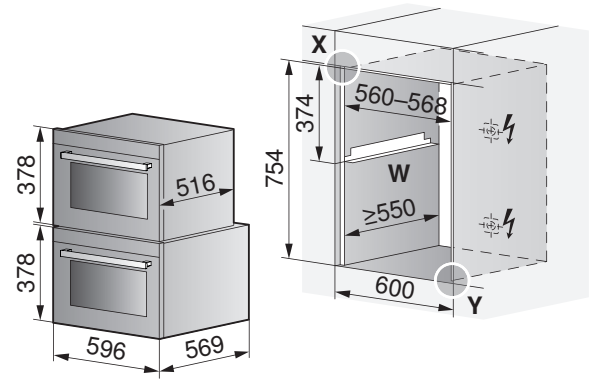
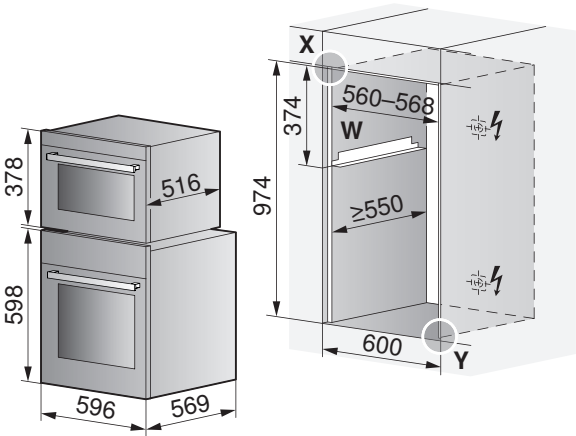
Minimum installation height for child safety: Keep 850 mm distance from the floor to the bottom edge of the microwave!
 The mounting angles are not included in the scope of delivery. Order angle set K50572 at the same time.



If installing with a second appliance in the same niche, use the angle set **W** (K50572).

Miwell-Combi HSL & oven

Miwell-Combi HSL & mini oven / steam cooker

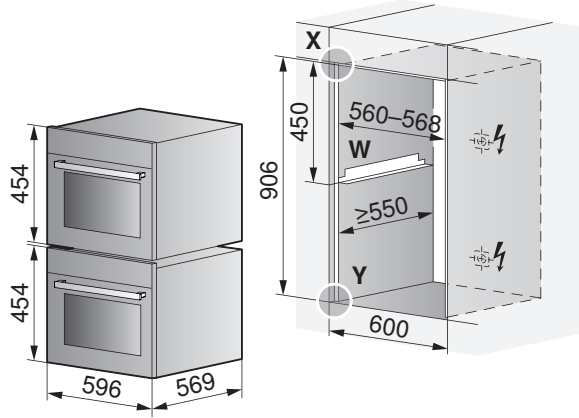


Front dimensions of the appliances: Detail X/Y (see page 10)

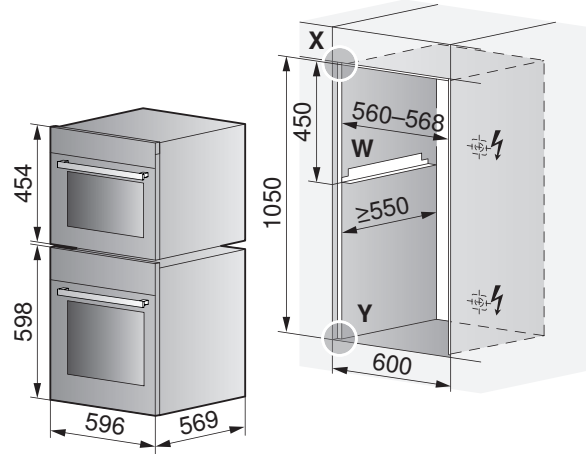


If installing with a second appliance in the same niche, use the angle set **W** (K50572).

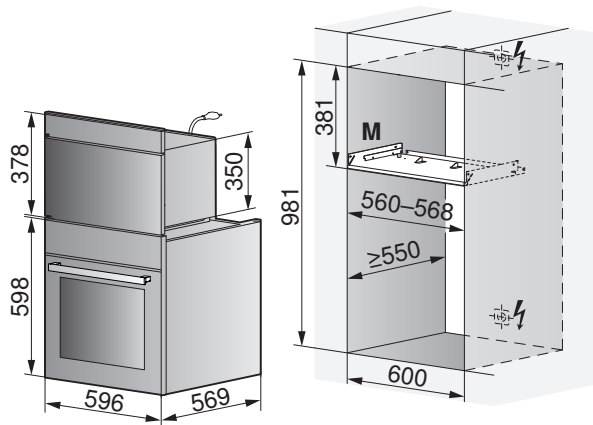
Miwell-Combi XSL & compact oven / steam cooker



Miwell-Combi XSL & oven



Miwell S/L & oven



M Assembly kit is included in the scope of delivery.

Front dimensions of the appliances: Detail X/Y (see page 10)



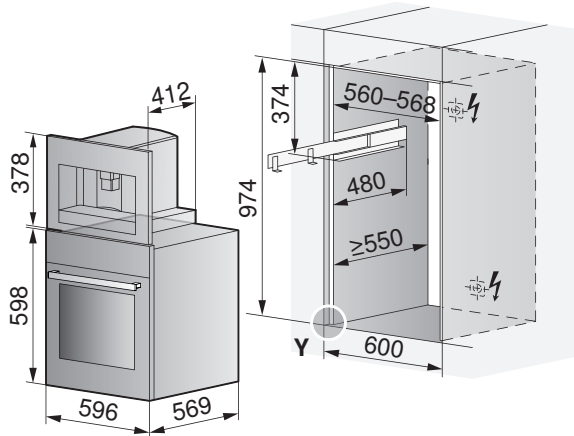
Left-hand hinge door

7.3 Oven & coffee-center

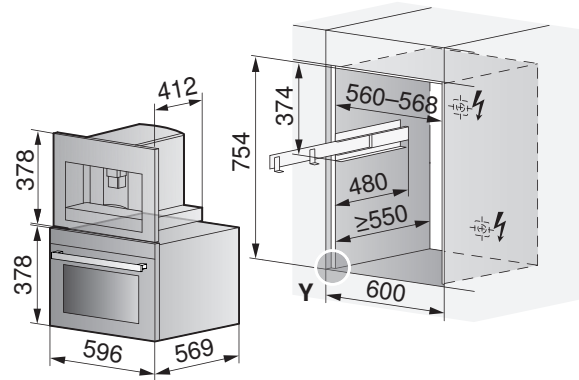


The telescopic runner for the assembly and operation is included in the scope of delivery.

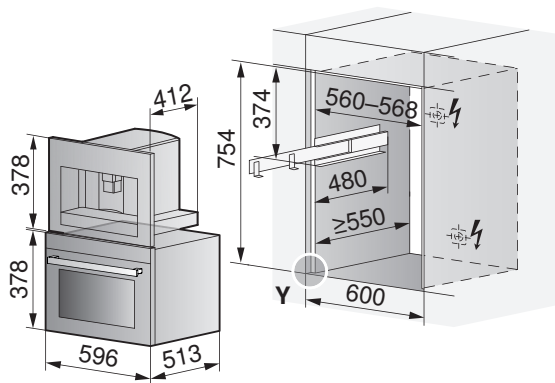
Supremo HSL & oven



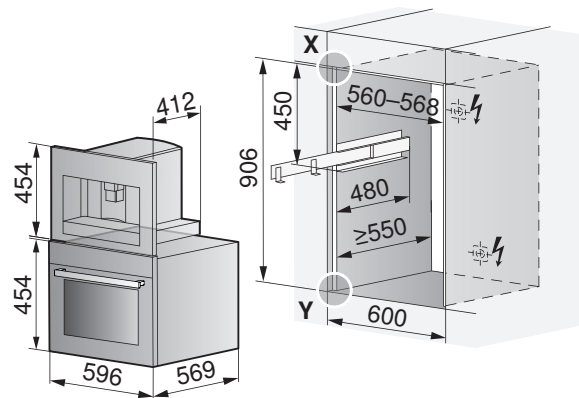
Supremo HSL & mini oven / steam cooker



Supremo HSL & Miwell HSL



Supremo XSL & compact oven / steam cooker



Front dimensions of the appliances: Detail X/Y (see page 10)

8 Glass ceramic hobs – induction, wok, teppanyaki

8.1 General notes



It is imperative for induction hobs to have adequate ventilation. See sections Installation without protective plate (see page 47) and Installation with protective plate (see page 49).

This is guaranteed with a worktop depth of 20 mm to 40 mm.

If a drawer is installed directly underneath, a protective plate is recommended in the vicinity of the mains cable and to protect the ventilation openings. The ventilation protective plate set can be used for this purpose. Accessories (see page 129).

With a front-facing air gap of 3 mm, a ventilation protective plate with seal is essential. Installation with protective plate (see page 49).



Efficient repairs can only be guaranteed if it is possible to uninstall the whole appliance at any time without causing any damage.

The layout of the hobs to be installed may differ from the hobs illustrated here!

8.2 OptiGlass coating

Halogen or LED light bulbs are recommended for illuminating hobs with the OptiGlass coating. The use of fluorescent tube lighting to illuminate hobs with the OptiGlass coating causes the glass surface to shimmer.

8.3 Electrical connection data

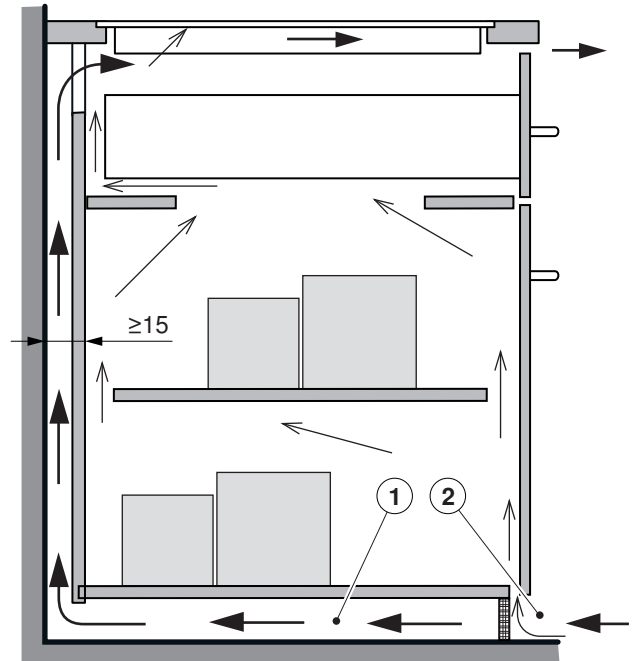
Appliance	Country group *	Mains connection	Fuse	Rated load	Mains cable
GK16TIWSZ	A, B, C, D, E, F	220–240 V~50/60 Hz	16 A	3000 W	1.7 m, without plug
GK17TIYSZ				2800 W	
GK26TIMS ..., GK27TIMS ...				3700 W	
GK27TIYSZ	A, E	380–415 V 2N~ 50/60 Hz	32 A	5600 W	
	B, C, D, F	220–240 V~50/60 Hz		5600 W	
GK46TI ..., GK47TI ...	A, E	380–415 V 2N~ 50/60 Hz	16 A	7400 W	
	B, C, D, F	220–240 V~50/60 Hz	32 A		
GK56TIMS ..., GK57TIMS ...	A, E	380–415 V 3N~ 50/60 Hz	16 A	11100 W	
	B, C, D, F	220–240 V~50/60 Hz	48 A		

* Country group (see page 2)

8.4 Ventilation

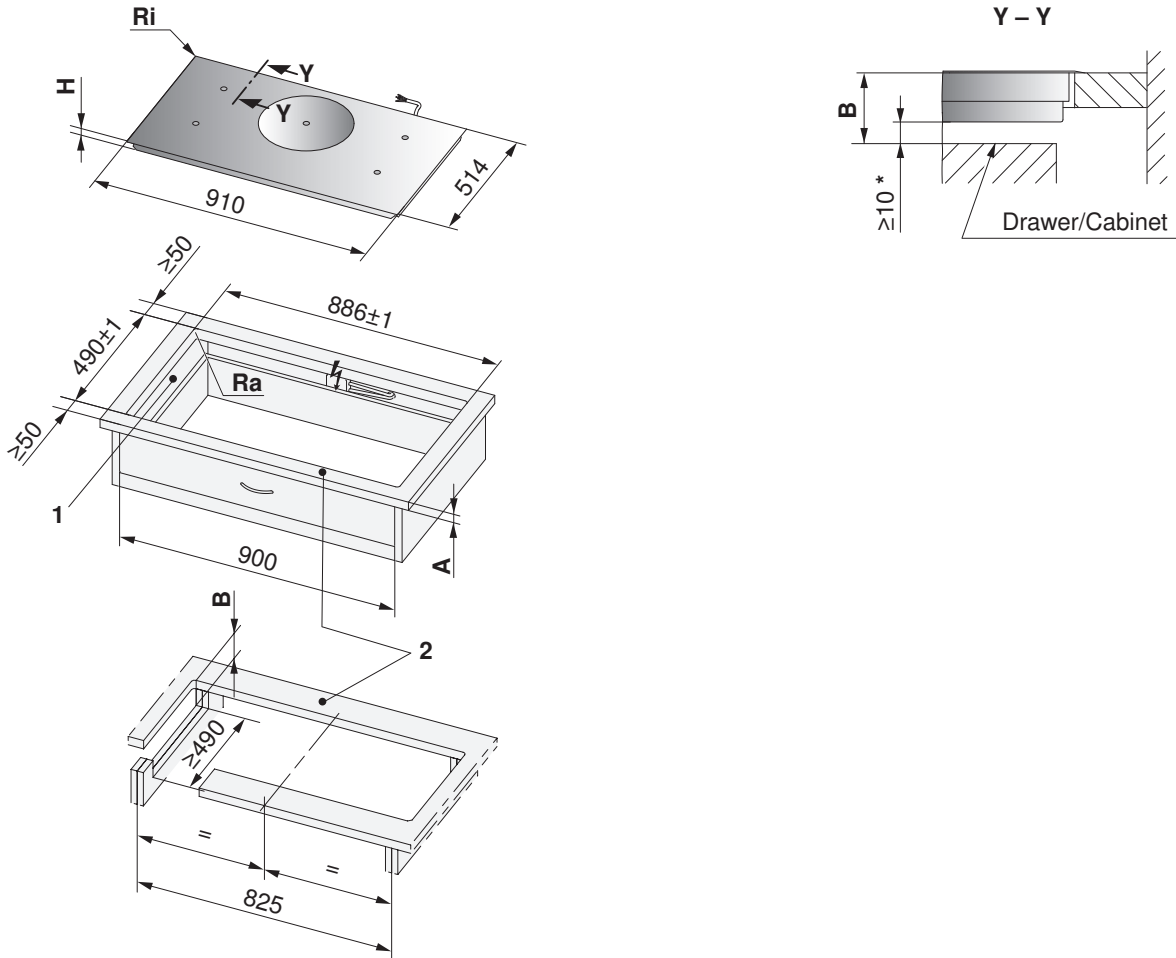
In order to guarantee good ventilation, a space of ≥ 10 mm height is necessary beneath the appliance.

1. The rear panel of the base unit must be open around the work surface cut-out to guarantee continuous air circulation via the ventilation slits. The air must be drawn in from outside the cabinet and be able to circulate freely from inside the cabinet to the hob.
2. Alternatively, a concealed fresh air supply can ensure air circulation inside the cabinet. In order that enough cold air can be drawn in, there must be a continuous circulation of fresh air that extends outside the cabinet. The air must be drawn in from outside the cabinet and be able to circulate freely from inside the cabinet to the hob.





GK56TIMSCO (31081)



* The required clearance must be observed!

- 1 Cut-outs in left/right side panels for a niche width of 900 mm, required for appliance ventilation.
- 2 The front and rear pegs are reinforced underneath. The strut width is determined by the producer of the stone worktop. The minimum peg width can vary according to the properties of the stone.

Type	A Depends on producer	B	H	Corner radius Ra/Ri
GK56TIMSCO	≥30 mm	≥68.8 mm	51.3 mm	10/8 mm

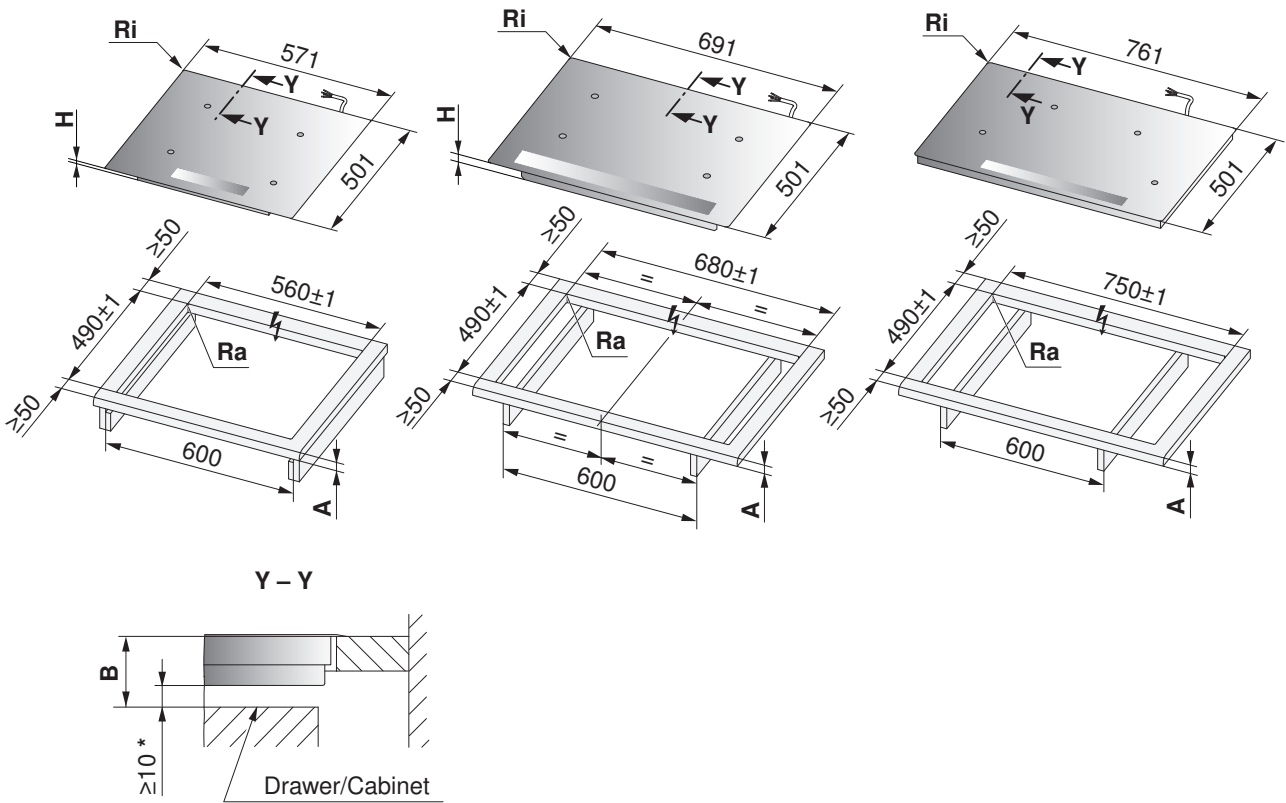
- A** Worktop depth (only applies in combination with directly built-under oven / steam cooker with type of construction 60-600, without Combi-Steam MSLQ)
- B** Required clearance for ventilation and service replacement
- H** Dimension from the top of the work surface to the underside of the hob (ventilation opening)
- Ri** Corner radii of appliance
- Ra** Outer corner radii of cut-out



GK46TIMSZ/O (31086),
GK46TIMGZ (31090)

GK46TIMXSZ (31087)

GK46TIMASZ (31091)

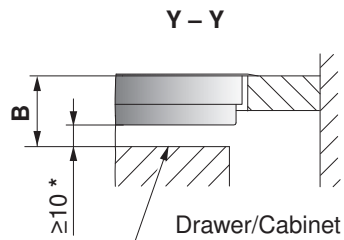
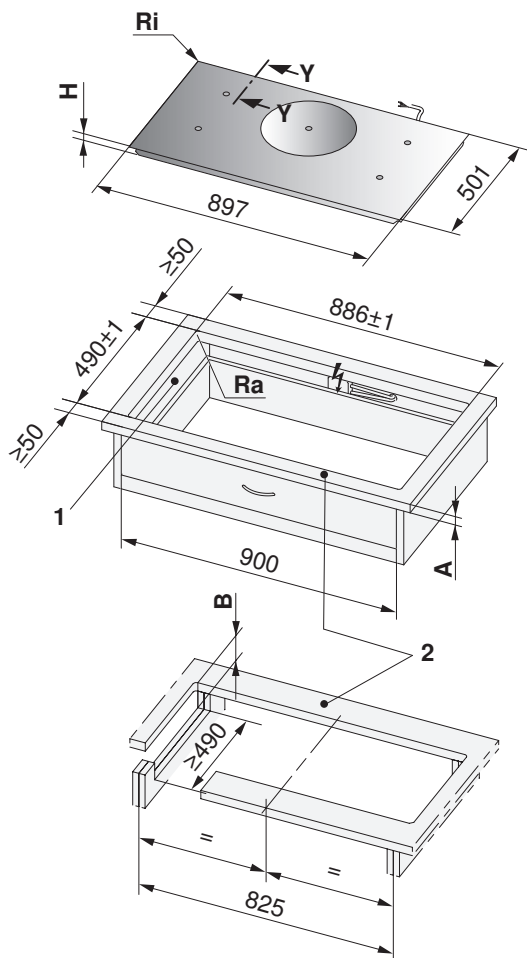


* The required clearance must be observed!

Type	A Depends on producer	B	H	Corner radius Ra/Ri
GK46TIMSZ/O, GK46TIMXSZ, GK46TIMASZ, GK46TIMGZ	≥30 mm	≥71 mm	47.7 mm	5/1.5 mm

- A** Worktop depth (only applies in combination with directly built-under oven / steam cooker with type of construction 60-600, without Combi-Steam MSLQ)
- B** Required clearance for ventilation and service replacement
- H** Dimension from the top of the work surface to the underside of the hob (ventilation opening)
- Ri** Corner radii of appliance
- Ra** Outer corner radii of cut-out

GK56TIMSZO (31081), GK57TIMSZO (31082)

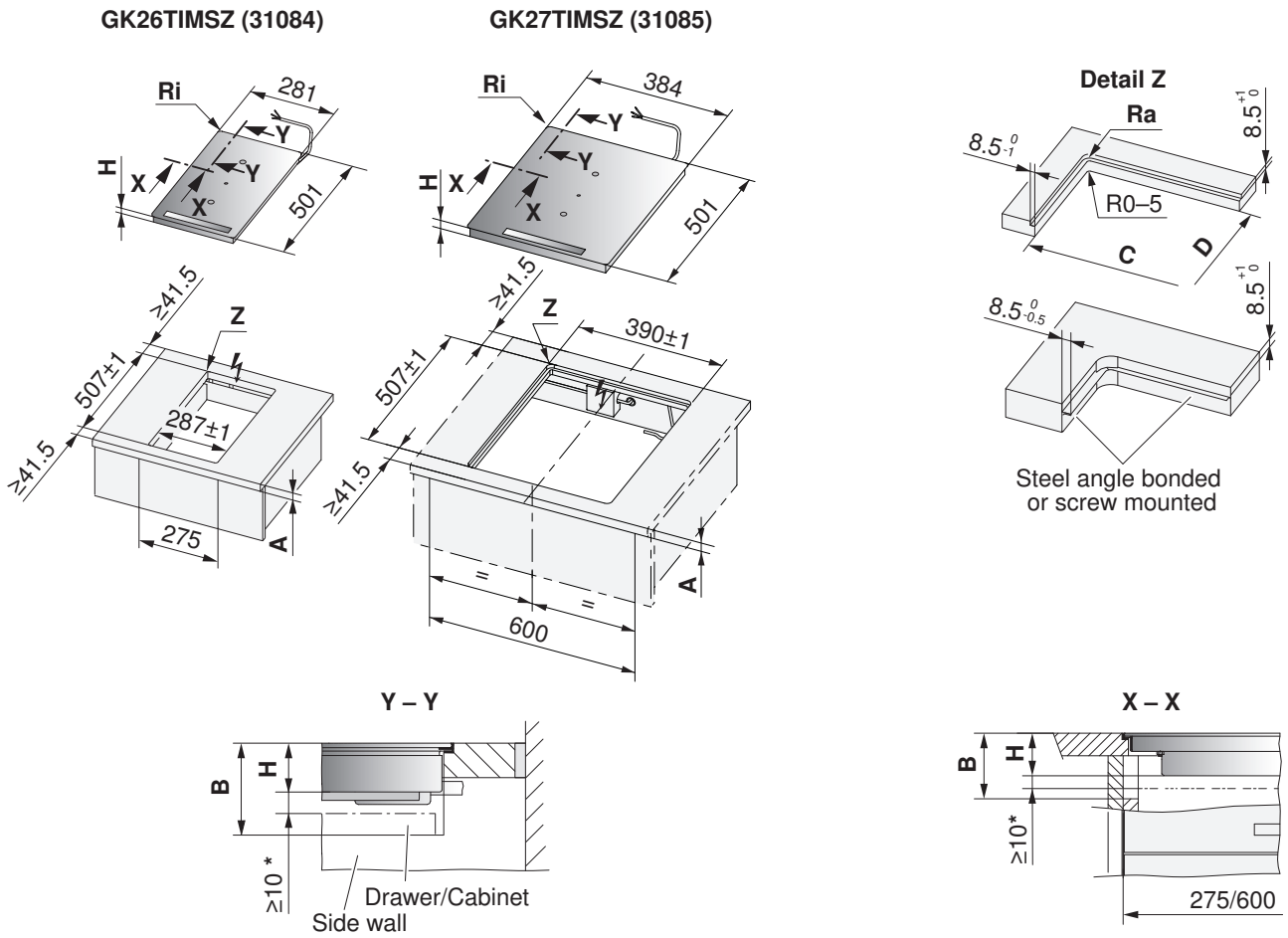


* The required clearance must be observed!

- 1 Cut-outs in left/right side panels for a niche width of 900 mm, required for appliance ventilation.
- 2 The front and rear pegs are reinforced underneath. The strut width is determined by the producer of the stone worktop. The minimum peg width can vary according to the properties of the stone.

Type	A Depends on producer	B	H	Corner radius Ra/Ri
GK56TIMSZO, GK57TIMSZO	≥30 mm	≥71 mm	49.3 mm	5/1.5 mm

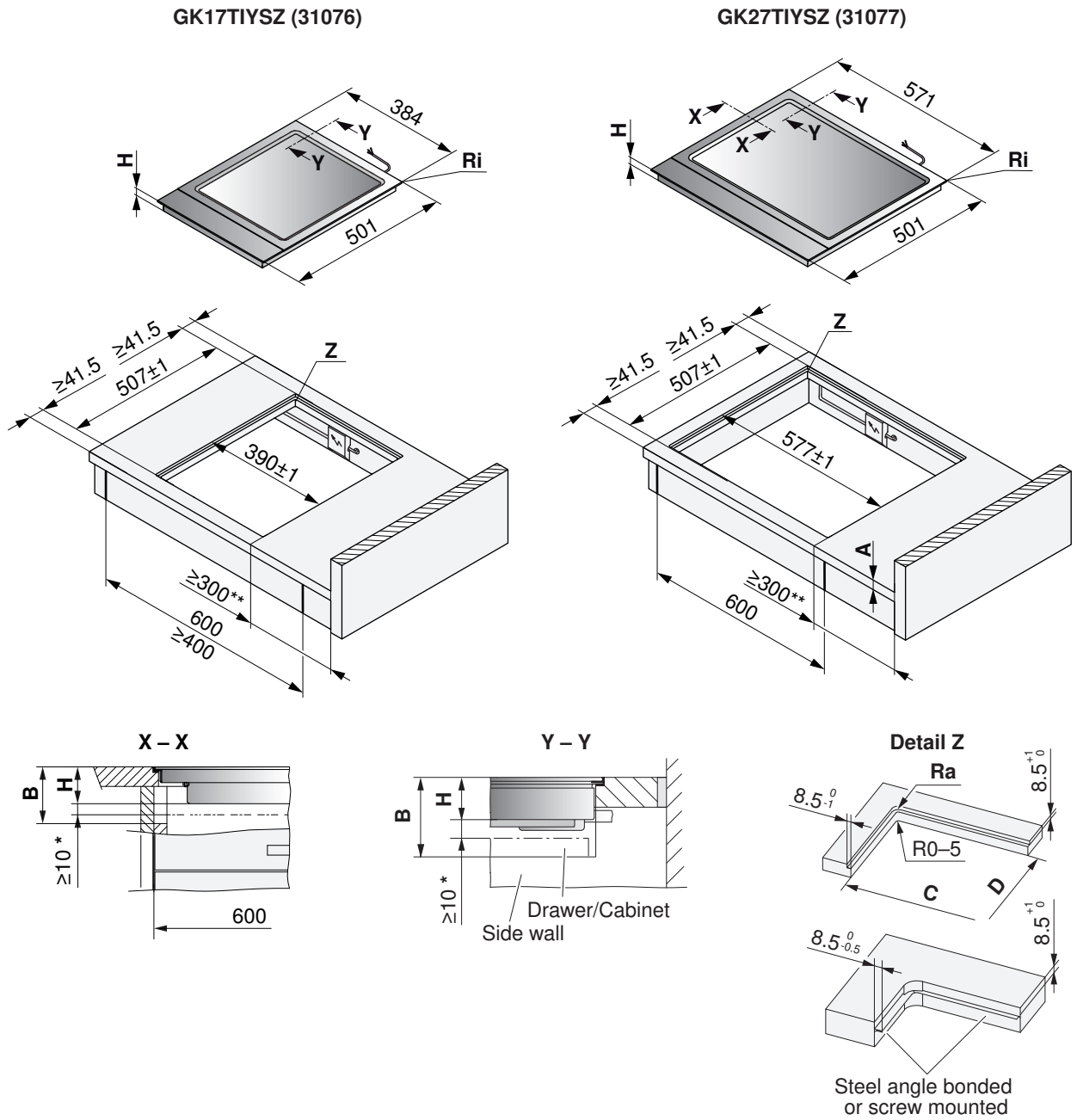
- A** Worktop depth (only applies in combination with directly built-under oven / steam cooker with type of construction 60-600, without Combi-Steam MSLQ)
- B** Required clearance for ventilation and service replacement
- H** Dimension from the top of the work surface to the underside of the hob (ventilation opening)
- Ri** Corner radii of appliance
- Ra** Outer corner radii of cut-out



* The required clearance must be observed!

Type	A Depends on producer	B	C/D	H	Corner radius Ra/Ri
GK26TIMSZ	≥30 mm	≥75 mm	270/490 mm	51.7 mm	5/1.5 mm
GK27TIMSZ			373/490 mm		

- A** Worktop depth (only applies in combination with directly built-under oven / steam cooker with type of construction 60-600, without Combi-Steam MSLQ)
- B** Required clearance for ventilation and service replacement
- H** Dimension from the top of the work surface to the underside of the hob (ventilation opening)
- Ri** Corner radii of appliance
- Ra** Outer corner radii of cut-out



* The required clearance (for ventilation) must be observed!

** On both sides for technical reasons.

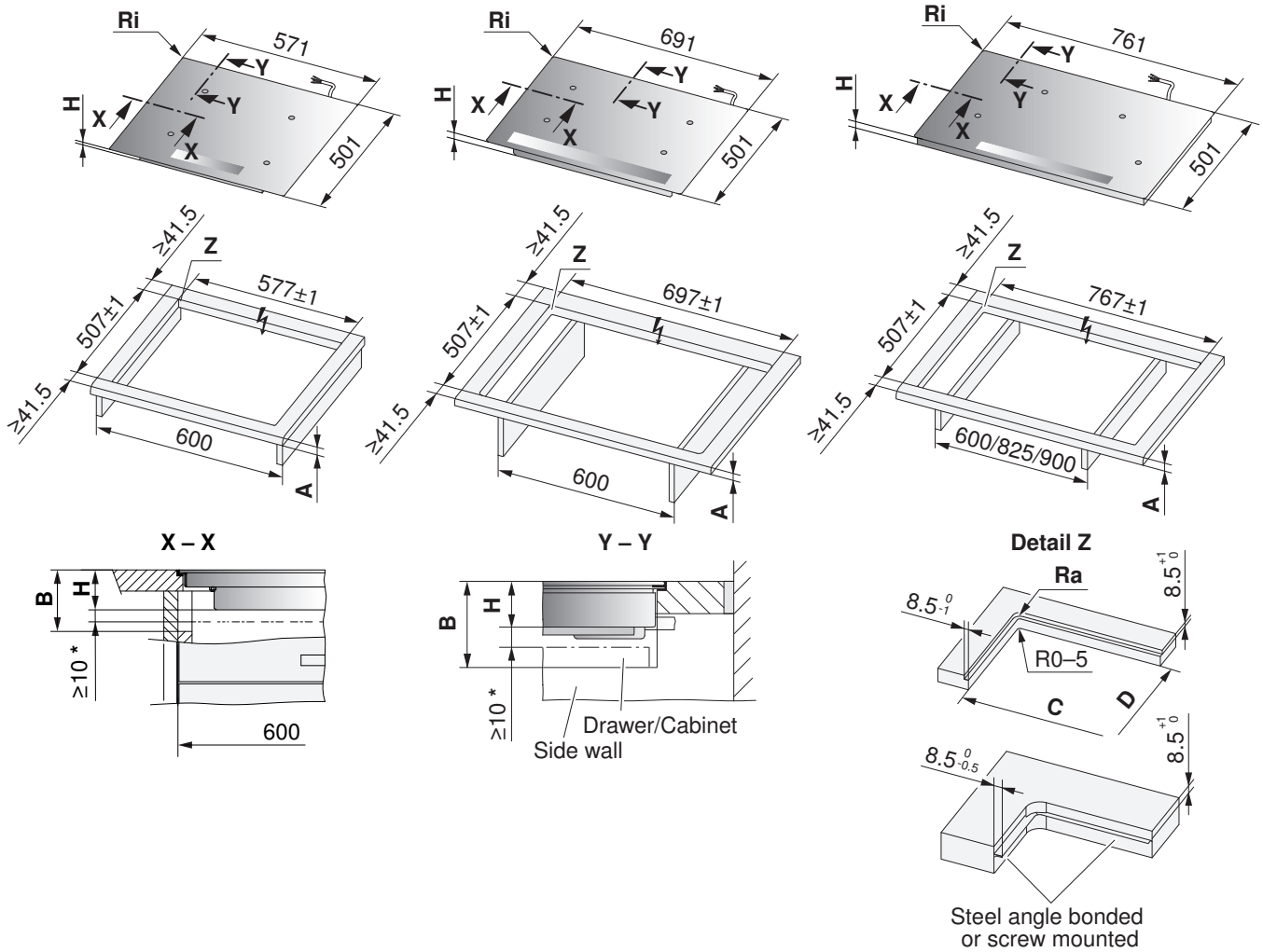
Type	A Depends on producer	B	C/D	H	Corner radius Ra/Ri
GK17TIYSZ	≥30 mm	≥73.6 mm	373/490 mm	64 mm	5/1.5 mm
GK27TIYSZ			560/490 mm		

- A** Worktop depth (only applies in combination with directly built-under oven / steam cooker with type of construction 60-600, without Combi-Steam MSLQ)
- B** Required clearance for ventilation and service replacement
- H** Dimension from the top of the work surface to the underside of the hob (ventilation opening)
- Ri** Corner radii of appliance
- Ra** Outer corner radii of cut-out

**GK46TIMSZ/O (31086),
 GK46TIMGZ (31090)**

GK46TIMXSZ (31087)

**GK46TIABS.1F (31017),
 GK46TIAKSF (90A), GK46TIMASZ (31091)**

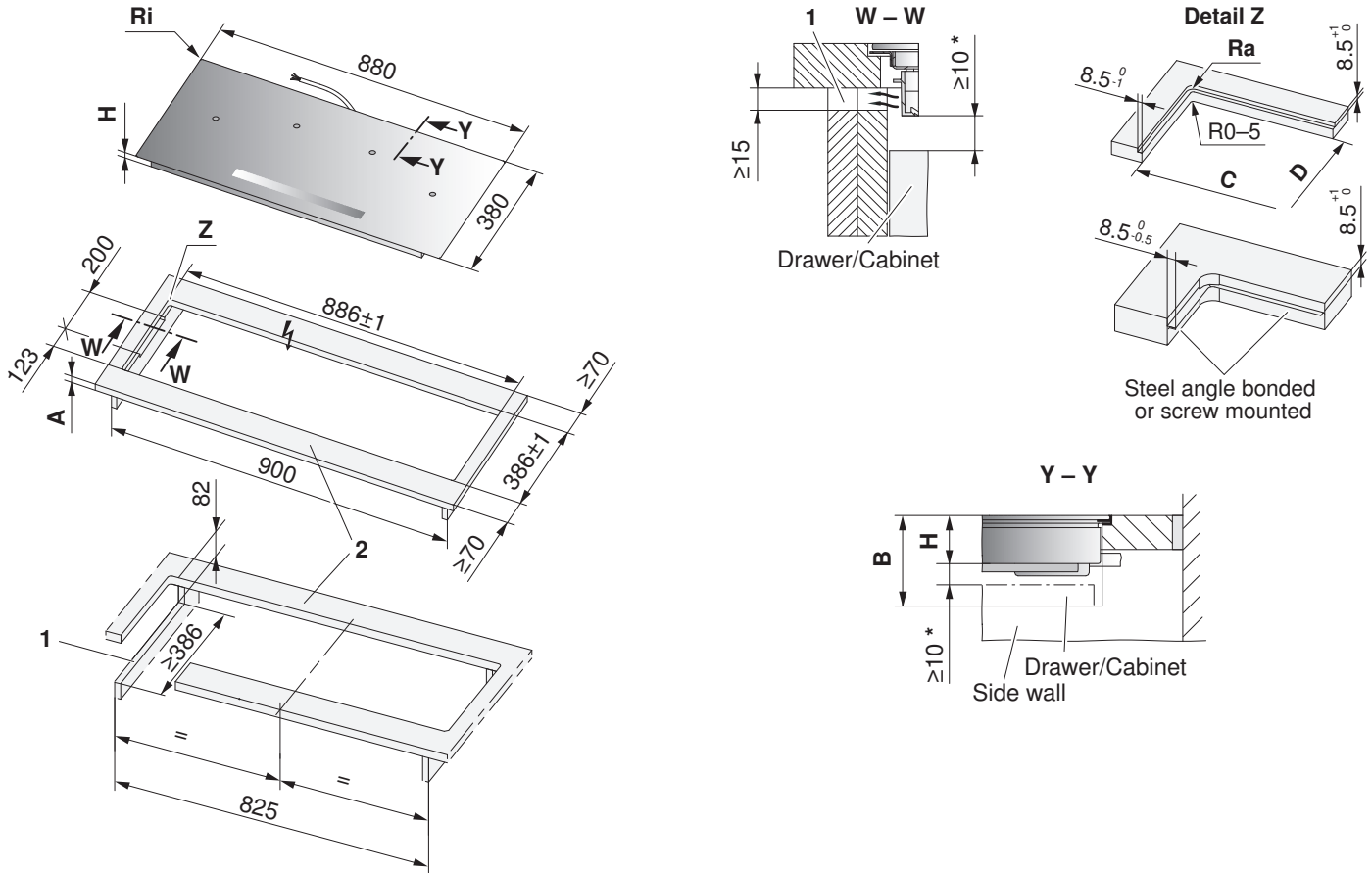


* The required clearance (for ventilation) must be observed!

Type	A Depends on producer	B	C/D	H	Corner radius Ra/Ri
GK46TIMSZ/O, GK46TIMGZ	≥30 mm	≥75 mm	560/490 mm	51.7 mm	5/1.5 mm
GK46TIMXSZ			680/490 mm		
GK46TIABS.1F, GK46TIAKSF, GK46TIMASZ			750/490 mm		

- A** Worktop depth (only applies in combination with directly built-under oven / steam cooker with type of construction 60-600, without Combi-Steam MSLQ)
- B** Required clearance for ventilation and service replacement
- H** Dimension from the top of the work surface to the underside of the hob (ventilation opening)
- Ri** Corner radii of appliance **Ra** Outer corner radii of cut-out

GK46TIMPSZ (31080), GK47TIMPSZ (31079)



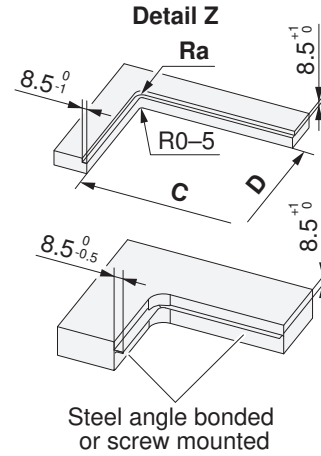
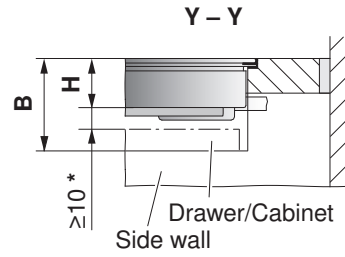
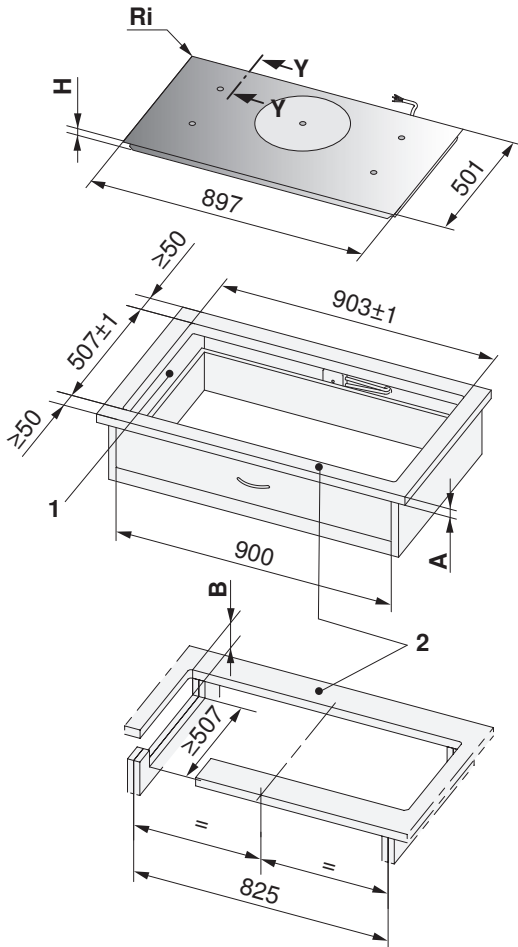
* The required clearance must be observed!

- 1 Cut-outs in left/right side panels for a niche width of 900 mm, required for appliance ventilation.
- 2 The front and rear pegs are reinforced underneath. The strut width is determined by the producer of the stone worktop. The minimum peg width can vary according to the properties of the stone.

Type	A Depends on producer	B	C/D	H	Corner radius Ra/Ri
GK46TIMPSZ, GK47TIMPSZ	≥ 30 mm	≥ 75 mm	869/369 mm	51 mm	5/1.5 mm

- A** Worktop depth (only applies in combination with directly built-under oven / steam cooker with type of construction 60-600, without Combi-Steam MSLQ)
- B** Required clearance for ventilation and service replacement
- H** Dimension from the top of the work surface to the underside of the hob (ventilation opening)
- Ri** Corner radii of appliance
- Ra** Outer corner radii of cut-out

GK56TIMSZO (31081), GK57TIMSZO (31082)



* The required clearance must be observed!

- 1 Cut-outs in left/right side panels for a niche width of 900 mm, required for appliance ventilation.
- 2 The front and rear pegs are reinforced underneath. The strut width is determined by the producer of the stone worktop. The minimum peg width can vary according to the properties of the stone.

Type	A Depends on producer	B	C/D	H	Corner radius Ra/Ri
GK56TIMSZO, GK57TIMSZO	≥30 mm	≥75 mm	886/490 mm	53.3 mm	5/1.5 mm

- A** Worktop depth (only applies in combination with directly built-under oven / steam cooker with type of construction 60-600, without Combi-Steam MSLQ)
- B** Required clearance for ventilation and service replacement
- H** Dimension from the top of the work surface to the underside of the hob (ventilation opening)
- Ri** Corner radii of appliance
- Ra** Outer corner radii of cut-out

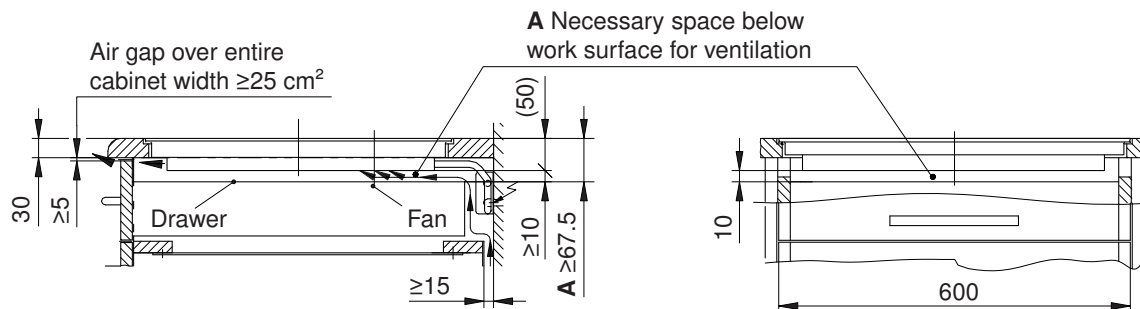
8.8 Installation without protective plate



Requirements for optimal ventilation:

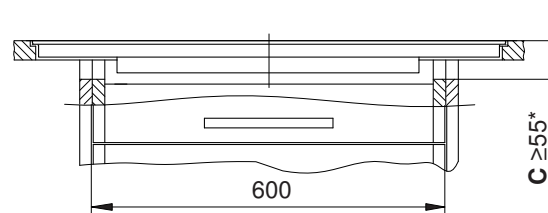
- front-facing air gap of ≥ 5 mm
- a space of ≥ 10 mm in height beneath the appliance
- a worktop depth of ≥ 20 mm to ≤ 40 mm
- a supply of fresh air (≥ 15 mm air gap) is essential for the trouble-free operation of the hob.

GK26TI ..., GK27TI ..., GK46TI ..., GK47TI ...



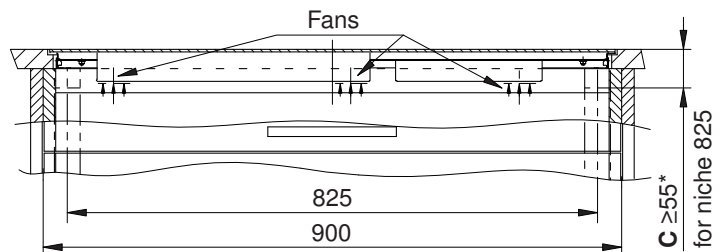
GK46TIABS ..., GK46TIAKS ..., GK46TIMXS ..., GK46TIMAS ...

See diagram above



GK56TIMS ..., GK57TIMS ...

See diagram above

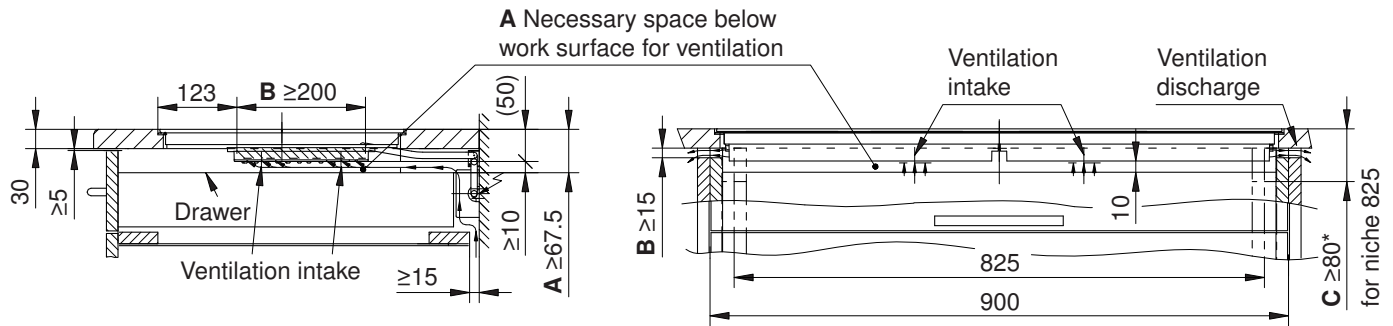


* Required for flush appliances

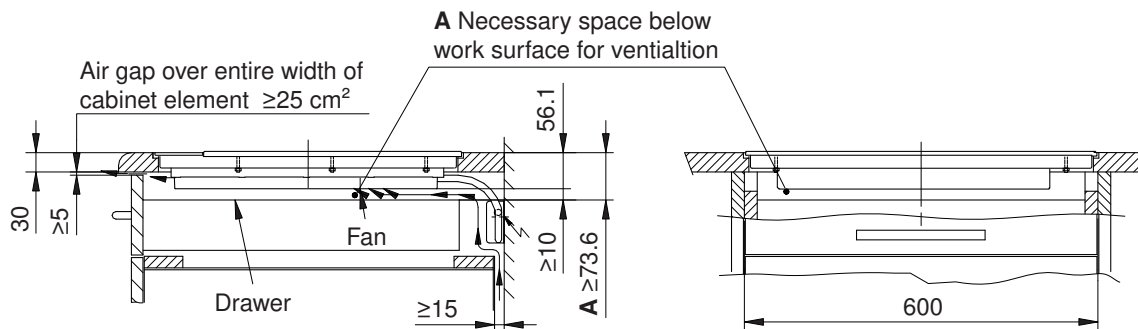
A Necessary space below the worktop for the ventilation of the appliance

C Cut-out in side walls for disassembly from below, only for flush version

GK46TIMPS ..., GK47TIMPS ...



GK17TIYSZ, GK27TIYSZ



* Required for flush appliances

- A** Necessary space below the worktop for the ventilation of the appliance
- B** Cut-out in the side walls left and right for the ventilation of the appliance
- C** Cut-out in the side walls for disassembly from below, only for flush version

8.9 Installation with protective plate

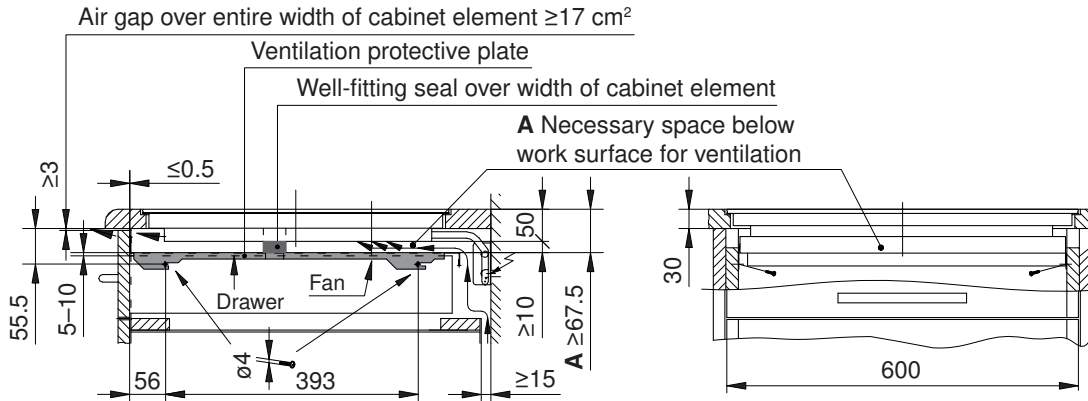
For more information, see the Accessories (see page 129) section.



Requirements for optimal ventilation:

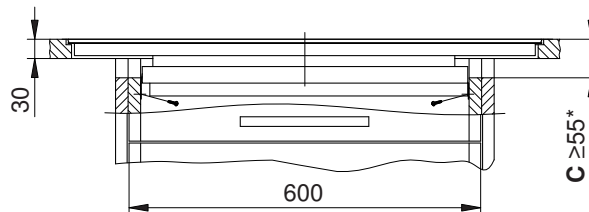
- front-facing air gap of ≥ 3 mm (with protective plate)
- distance of ≥ 10 mm between protective plate and ventilation opening
- a worktop depth of ≥ 20 mm to ≤ 40 mm
- a supply of fresh air (≥ 15 mm air gap) is essential for the trouble-free operation of the hob.

GK26TI ..., GK27TI ..., GK46TI ...



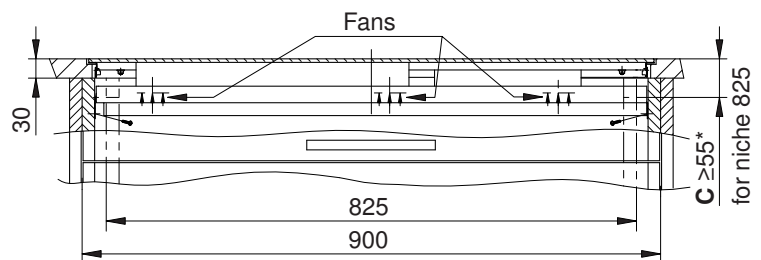
GK46TIABS ..., GK46TIAKS ..., GK46TIMAS ..., GK46TIMXS ...

See diagram above



GK56TIMS ..., GK57TIMS ...

See diagram above

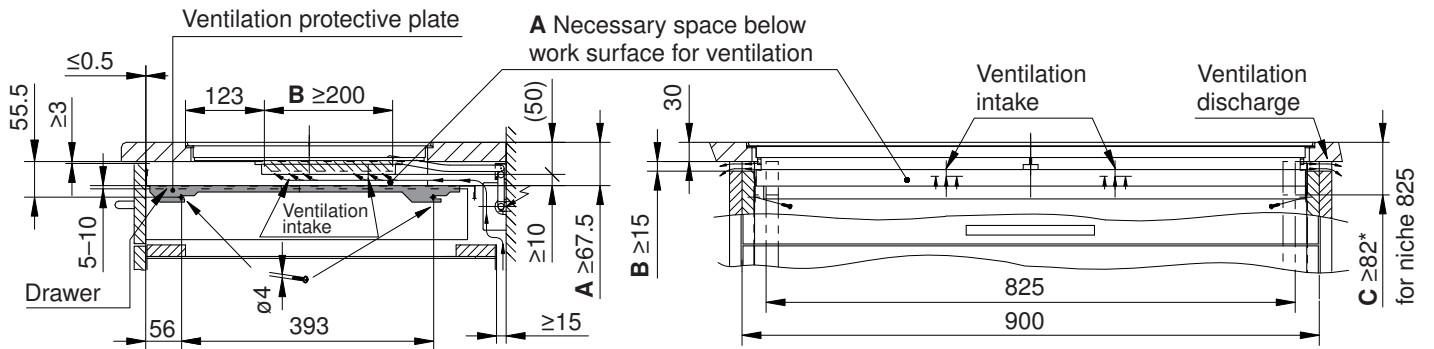


* Required for flush appliances

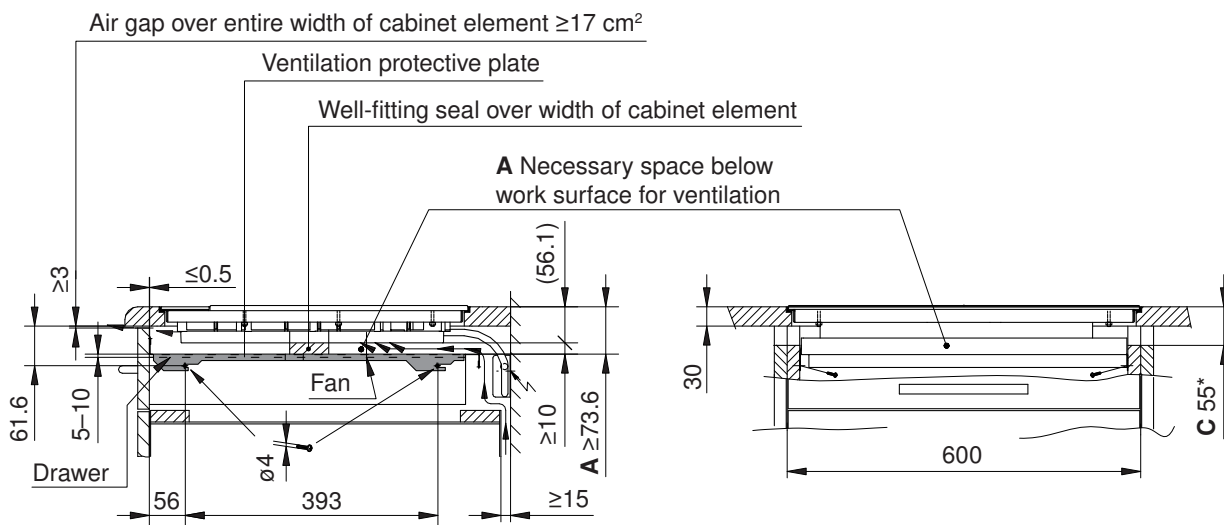
A Necessary space below the worktop for the ventilation of the appliance

C Cut-out in side walls for disassembly from below, only for flush version

GK46TIPS ..., GK46TIMPS ..., GK47TIMPS ...



GK17TIYSZ, GK27TIYSZ



* Required for flush appliances

- A Necessary space below the worktop for the ventilation of the appliance
- B Cut-out in the side walls left and right for the ventilation of the appliance
- C Cut-out in side walls for disassembly from below, only for flush version

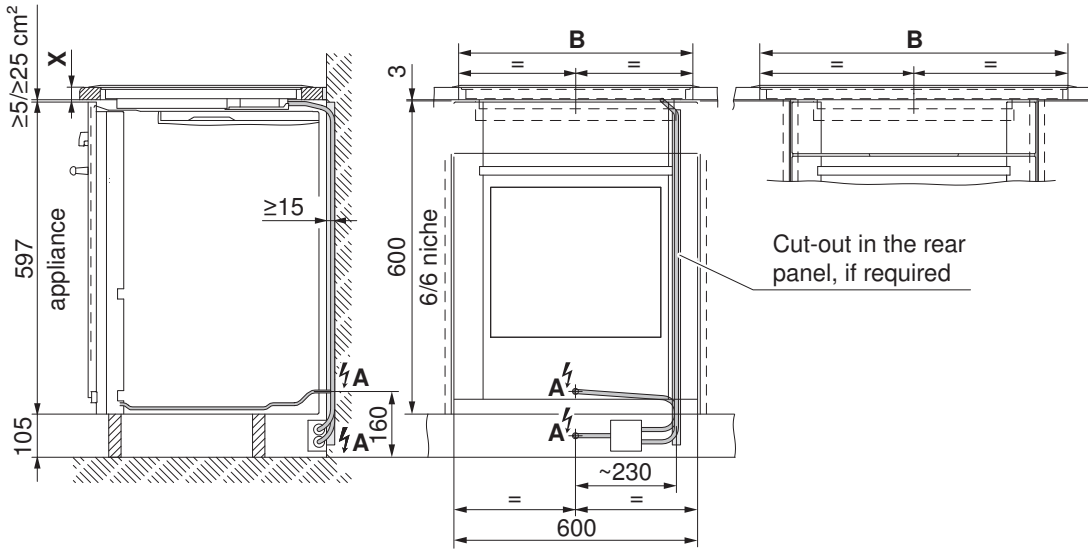
8.10 Installing above oven / steam cooker



It is not intended that a Combi-Steam MSLQ with construction type 60-600 be installed.

It is not intended that an oven be installed below the following hobs: GK46TIMPS..., GK46TIPS..., GK56TIMS...

Type of construction: 60-600

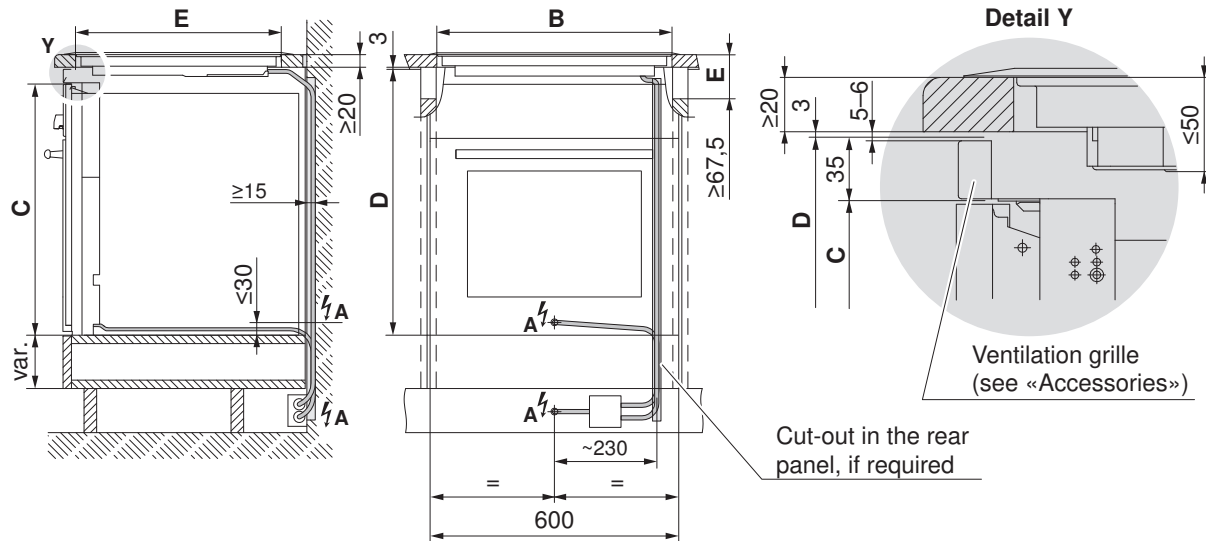


With the use of a ventilation grille (see section Accessories (see page 129))

Type of construction 60-381: Combi-Steam HSL, Steam HSE, Comhair HSE

Type of construction 60-450: Combi-Steam XSL, Comhair XSL, Comhair XSE

Type of construction 60-600: Comhair-Steam SL, Comhair-Steam SE, Comhair SLP, Comhair SL, Comhair SEP, Comhair SE



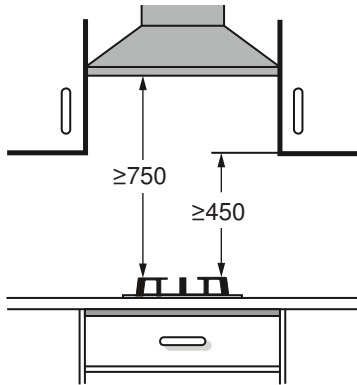
- A** Possible mains supply connections
- B** Mounting cut-outs
- C** Appliance height: 59.8 cm (type of construction: 60-600), 37.8 cm (type of construction: 60-381), 45.4 cm (type of construction: 60-450)
- D** Niche height: 63.5 cm (type of construction: 60-600), 41.6 cm (type of construction: 60-381), 45.0 cm (type of construction: 60-450)
- E** Cut-outs in side walls for hobs larger than niche width
- X** GK26TIMS, GK46TIM, GK46TIXMS, GK46TIMAS, GK46TIABS: ≥25 mm
 Other hobs: ≥30 mm

9 Gas hobs



The distance from the appliance cut-out to the back wall must be ≥ 50 mm and to the side walls ≥ 200 mm. Parts such as side walls and reinforcing strips which protrude into the installation space under the cooking zone must be made of fire-resistant material.

The distance between the underside of the appliance tray and any part of the cabinet beneath that is made of combustible material must be ≥ 20 mm.



When a range hood is installed above the gas hob, the minimum distance given for the particular range hood must be observed.

Furthermore, the minimum distances illustrated must be strictly complied with even if a lower value is stated for the range hood.

A gas hob cannot be built in directly over another appliance due to the installation depth and the gas connection.

9.1 Electrical connection data

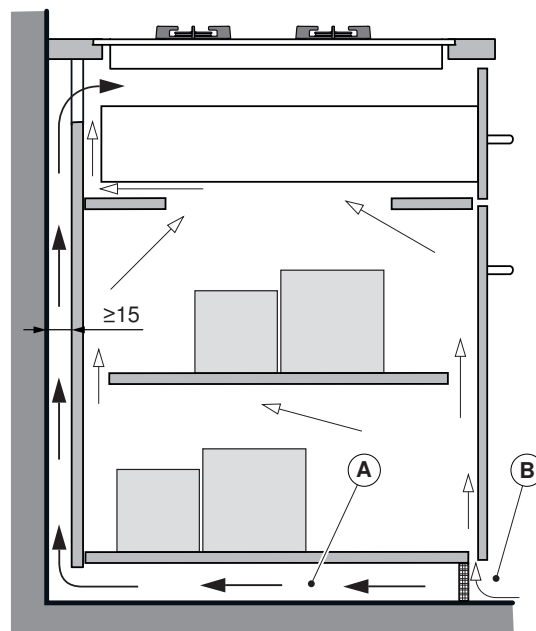
Appliance	Country group *	Mains connection	Fuse	Rated load	Mains cable
GAS411GSBZ, GAS421GSBZ, GAS641GSBZ, GAS951GSBZ	D	220–240 V~50/60 Hz	≥ 3 A	<20 W	1.7 m, with plug
GAS411GSAZ, GAS421GSAZ, GAS641EKAZ/GSAZ, GAS951GSAZ	A, B, E				1.7 m, without plug
GAS311EKBZ/GKBZ, GAS411GSBZ, GAS321EKBZ/GKBZ, GAS421GSBZ, GAS731EKBZ/GKBZ	F				1.7 m, with plug
GAS311EKBZ/GKBZ, GAS411GSBZ, GAS321EKBZ/GKBZ, GAS421GSBZ, GAS731EKBZ/GKBZ	C				

* Country group (see page 2)

9.2 Ventilation

In order to guarantee minimum ventilation, a space of ≥ 20 mm height is necessary beneath the appliance.

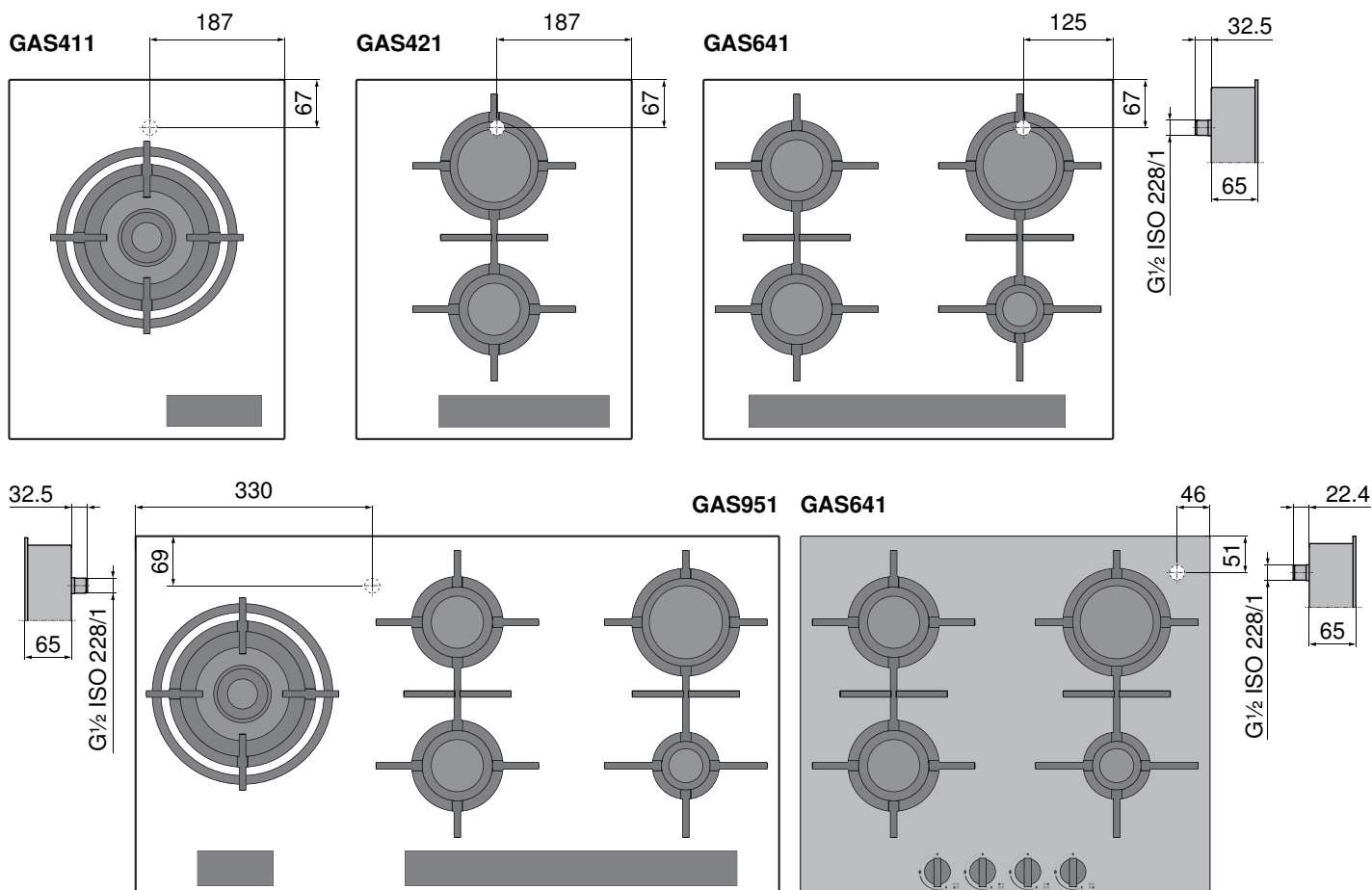
- A** The rear panel of the base unit must be open around the work surface cut-out to guarantee continuous air circulation via the ventilation slits. The air must be drawn in from outside the cabinet and be able to circulate freely from inside the cabinet to the hob.
- B** Alternatively, a concealed fresh air supply can ensure air circulation inside the cabinet. So that enough cold air can be drawn in, there must be a continuous supply of fresh air circulating till outside the cabinet. The air must be drawn in from outside the cabinet and be able to circulate freely from inside the cabinet to the hob.



9.3 Gas connection



The gas connection and the conversion to another gas type must be carried out by an authorized installer.



- ▶ The gas connection must be positioned so that the stop-cock and the supply connection point are accessible with the appliance installed.
- ▶ The gas connection must be positioned so that it does not get detrimentally hot during operation. In particular, the gas hose assemblies and the appliance's connection fittings must be clear of hot exhaust gases (e.g. from an oven).
- ▶ It must be ensured that the gas hose and the mains connection do not touch any hot parts of the appliance, otherwise the gas hose and the mains cable could become damaged through heat.
- ▶ A flexible connection lead (max. length 1.5 m) must be positioned so that it runs freely and does not come into contact with any movable parts of the kitchen cabinets (e.g. a drawer).

½-inch metric thread

The gas connection on the appliance has a ½-inch external thread in accordance with ISO 228/1. If the gas installation on site already has a corresponding counterpart, the gas appliance can be directly connected to it.

½-inch conical thread

If the installation on site has a conical thread, the transition piece and sealing ring must first be screwed onto the appliance. The transition piece has a conical external thread R ½-inch in accordance with ISO 7/11. In the case of a conical screw connection, the thread makes the seal, which is why the thread must be sealed with hemp or Teflon tape.



9.4 Setting up appliance to use local gas type

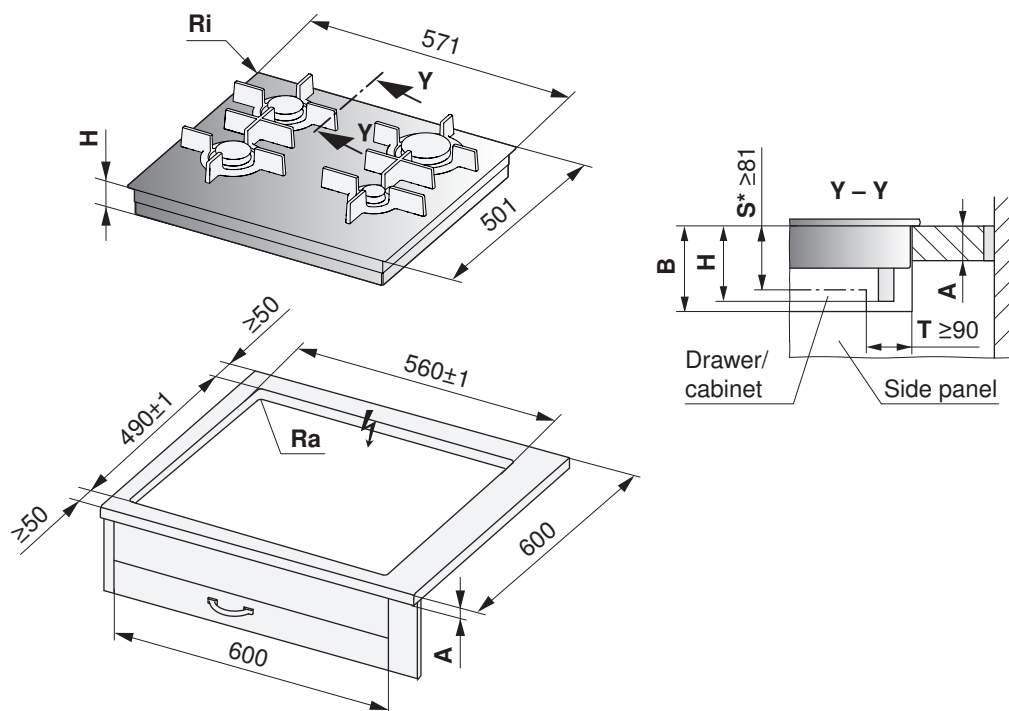
The appliance settings must match the local gas type and connection pressure. If the gas type and connection pressure have not been preset, the appliance has to be converted using the nozzle set supplied or other nozzle sets available as accessories. Information on the default gas setting as well as on the supplied and optional nozzle sets by country can be found in the catalogue. Conversion to another gas type is described in detail in the relevant installation instructions.

Overview of nozzle sets

Type	Default gas setting	Nozzle set (supplied)	Additional nozzle sets available for country-specific combinations of gas type and connection pressure			
			Liquid gas G30, 50 mbar	Natural gas L/K (G25/G25.3), 25 mbar	Natural gas G20, 13 mbar	Natural gas G20, 25 mbar
GAS411GSAZ	Natural gas H, E (G20), 20 mbar	Liquid gas butane/propane (G30/31), 28–30/37 mbar	Nozzle set 1015471	Nozzle set 1015472	Nozzle set 1015474	Nozzle set 1015473
GAS421GSAZ						
GAS641GSAZ						
GAS951GSAZ						
GAS641EKAZ			Nozzle set 1015475	Nozzle set 1015476	Nozzle set 1015478	Nozzle set 1015477

9.5 Framed installation with «DualDesign»

GAS641EKAZ (31054), GAS641GSAZ/GSBZ (31071)



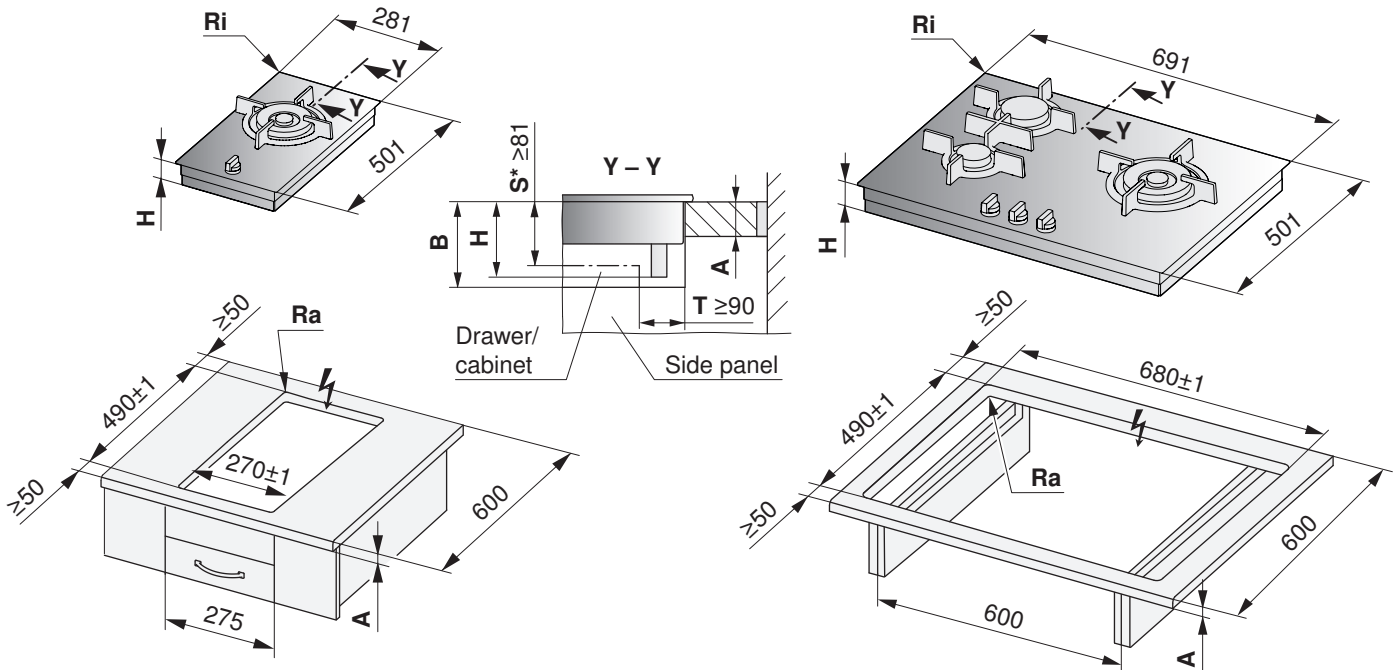
* The required clearance must be observed!

Type	A Depends on producer	B	H	Corner radius Ra/Ri
GAS641EKAZ	≥30 mm	≥95 mm	84 mm	0–5/1.5 mm
GAS641GSAZ/GSBZ			94 mm	

- A** Worktop depth
- B** Required clearance for service replacement
- H** Dimension from the top of the work surface to the underside of the gas connection
- Ri** Corner radii of appliance
- Ra** Outer corner radii of cut-out
- S** Minimum distance between the top of the work surface and any drawer
- T** Minimum distance between the cut-out in the back and any drawer

**GAS311EKBZ (31046), GAS311GKBZ (31073),
 GAS321EKBZ (31050), GAS321GKBZ (31074)**

GAS731EKBZ (31056), GAS731GKBZ (31075)



* The required clearance must be observed!

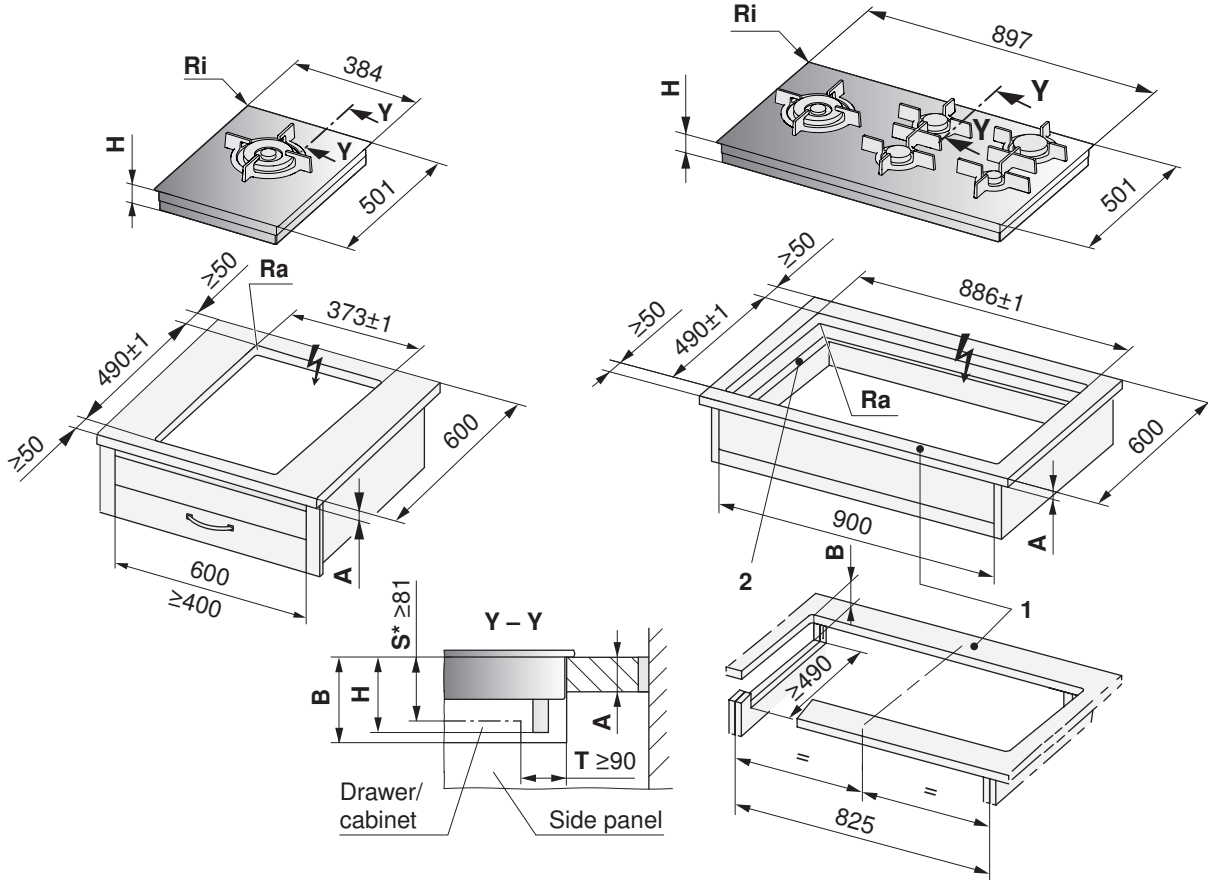
Type	A Depends on producer	B	H	Corner radius Ra/Ri
GAS311EKBZ/GKBZ, GAS321EKBZ/GKBZ	≥30 mm	≥95 mm	84 mm	0-5/1.5 mm
GAS731EKBZ/GKBZ				

- A** Worktop depth
- B** Required clearance for service replacement
- H** Dimension from the top of the work surface to the underside of the gas connection
- Ri** Corner radii of appliance
- Ra** Outer corner radii of cut-out
- S** Minimum distance between the top of the work surface and any drawer
- T** Minimum distance between the cut-out in the back and any drawer



**GAS411GSAZ/GSBZ (31063),
 GAS421GSAZ/GSBZ (31064)**

GAS951GSAZ/GSBZ (31072)



* The required clearance must be observed!

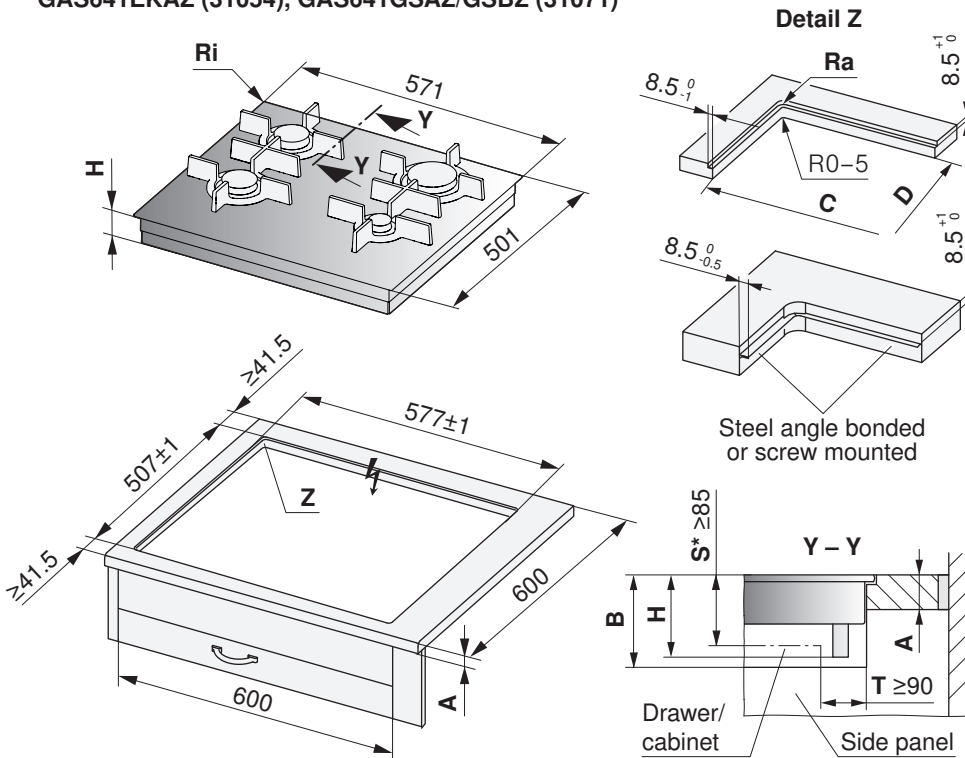
- 1 Front and rear struts may be reinforced on the underside. The strut width is determined by the producer of the stone worktop. The minimum strut width can vary according to the property of the stone.
- 2 For niche width 900 mm, cut-outs in side walls left/right are necessary for servicing work where the appliance base must be removed from below.

Type	A Depends on producer	B	H	Corner radius Ra/Ri
GAS411GSAZ/GSBZ, GAS421GSAZ/GSBZ, GAS951GSAZ/GSBZ	≥30 mm	≥95 mm	94 mm	0–5/1.5 mm

- A** Worktop depth
- B** Required clearance for service replacement
- H** Dimension from the top of the work surface to the underside of the gas connection
- Ri** Corner radii of appliance
- Ra** Outer corner radii of cut-out
- S** Minimum distance between the top of the work surface and any drawer
- T** Minimum distance between the cut-out in the back and any drawer

9.6 Flush installation with «DualDesign»

GAS641EKAZ (31054), GAS641GSAZ/GSBZ (31071)



* The required clearance must be observed!

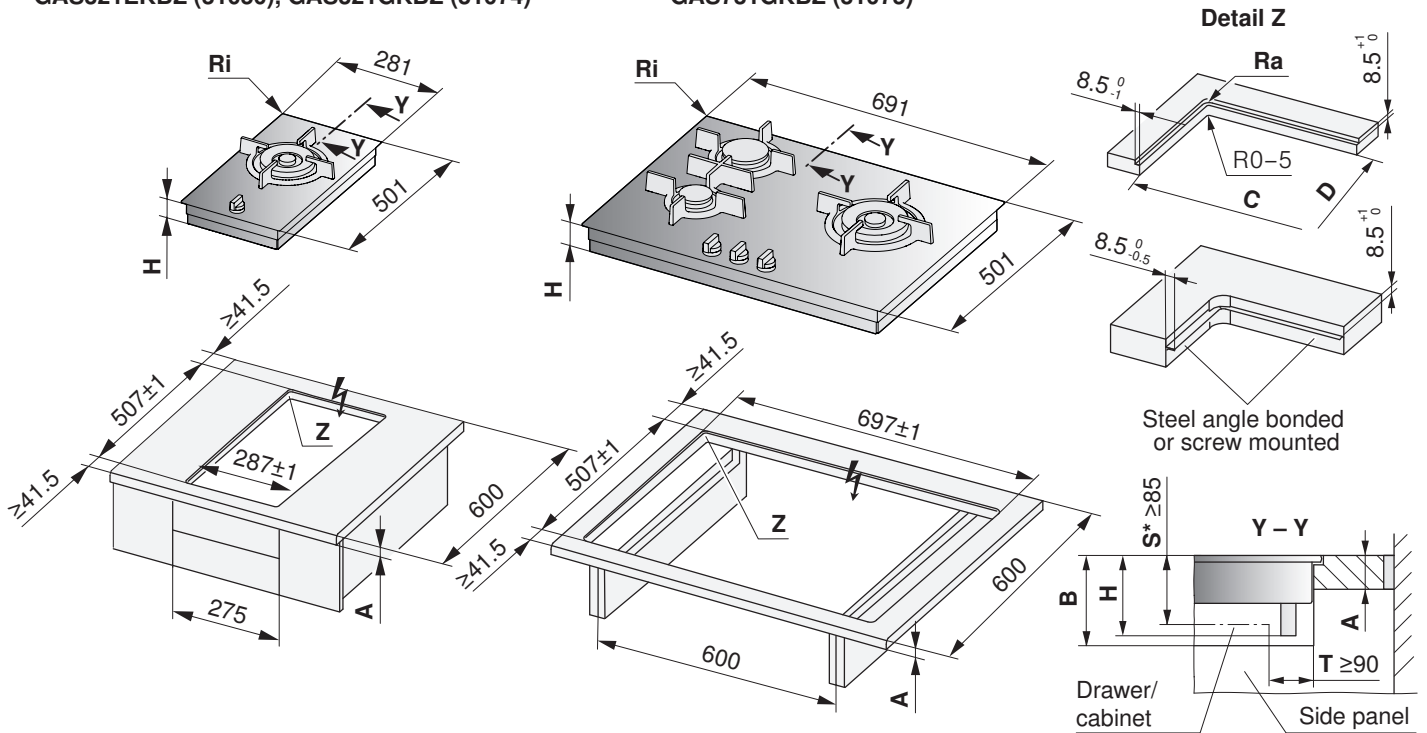
Type	A Depends on producer	B	H	Corner radius Ra/Ri	C/D
GAS641EKAZ	≥30 mm	≥175 mm	88 mm	5/1.5 mm	560/490 mm
GAS641GSAZ/GSBZ			98 mm		

- A** Worktop depth
- B** Required clearance for service replacement
- H** Dimension from the top of the work surface to the underside of the gas connection
- Ri** Corner radii of appliance
- Ra** Outer corner radii of cut-out
- S** Minimum distance between the top of the work surface and any drawer
- T** Minimum distance between the cut-out in the back and any drawer



**GAS311EKBZ (31046), GAS311GKBZ (31073),
 GAS321EKBZ (31050), GAS321GKBZ (31074)**

**GAS731EKBZ (31056),
 GAS731GKBZ (31075)**

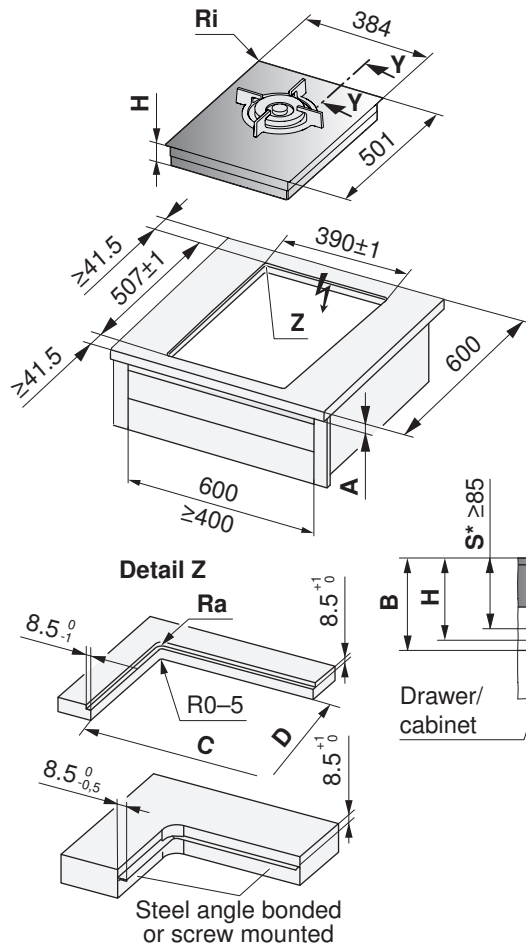


* The required clearance must be observed!

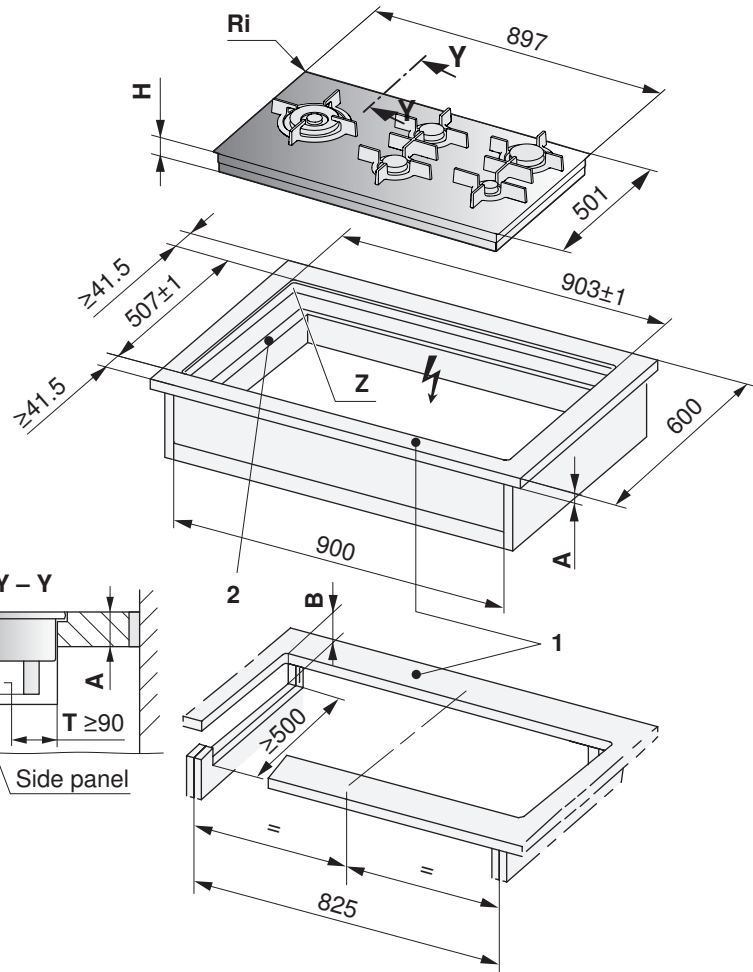
Type	A Depends on producer	B	H	Corner radius Ra/Ri	C/D
GAS311EKBZ/GKBZ, GAS321EKBZ/GKBZ	≥30 mm	≥175 mm	88 mm	5/1.5 mm	270/490 mm
GAS731EKBZ/GKBZ					680/490 mm

- A** Worktop depth
- B** Required clearance for service replacement
- H** Dimension from the top of the work surface to the underside of the gas connection
- Ri** Corner radii of appliance
- Ra** Outer corner radii of cut-out
- S** Minimum distance between the top of the work surface and any drawer
- T** Minimum distance between the cut-out in the back and any drawer

**GAS411GSAZ/GSBZ (31063),
 GAS421GSAZ/GSBZ (31064)**



GAS951GSAZ/GSBZ (31072)



* The required clearance must be observed!

- 1 Front and rear struts may be reinforced on the underside. The strut width is determined by the producer of the stone worktop. The minimum strut width can vary according to the property of the stone.
- 2 For niche width 900 mm, cut-outs in side walls left/right are necessary for servicing work where the appliance base must be removed from below.

Type	A Depends on producer	B	H	Corner radius Ra/Ri	C/D
GAS411GSAZ/GSBZ, GAS421GSAZ/GSBZ	≥30 mm	≥175 mm	98 mm	5/1.5 mm	373/490 mm
GAS951GSAZ/GSBZ					886/490 mm

- A** Worktop depth
- B** Required clearance for service replacement
- H** Dimension from the top of the work surface to the underside of the gas connection
- Ri** Corner radii of appliance
- Ra** Outer corner radii of cut-out
- S** Minimum distance between the top of the work surface and any drawer
- T** Minimum distance between the cut-out in the back and any drawer

10 Combined hob installation

10.1 Surface-mounted combination

The surface-mounted hob combination is currently only possible for electric hobs (up to max. hob size 70), gas hobs and hob hoods. The intermediate support 1014361 (stainless steel) or 1019199 (black) is required for this.



Intermediate supports 1014361 and 1019199 are not available in Germany.

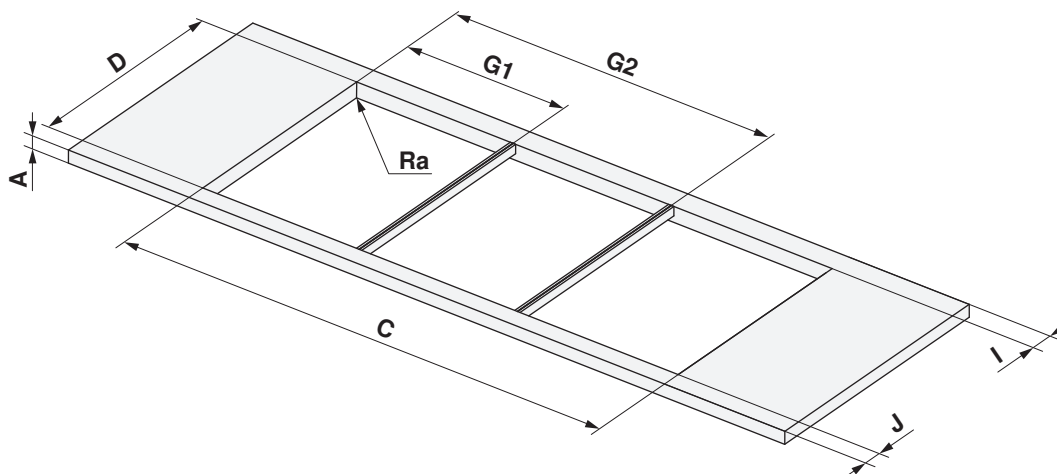


The wok hob GK16TIWSZ cannot be built into a surface-mounted combination with intermediate support.

Dimensions table for hobs




Combinations	Cut-out width C	Intermediate support position G1	Intermediate support position G2
30+30 cm	554 mm	277 mm	-
30+40 cm	657 mm	277 mm	-
40+40 cm	760 mm	380 mm	-
30+30+30 cm	838 mm	277 mm	561 mm
30+60 cm	844 mm	277 mm	-
40+60 cm	947 mm	380 mm	-
30+70 cm	964 mm	277 mm	-
30+40+40 cm	1044 mm	277 mm	664 mm
40+70 cm	1067 mm	380 mm	-
40+40+40 cm	1147 mm	380 mm	767 mm
30+90 cm	1170 mm	277 mm	-
30+40+60 cm	1231 mm	277 mm	664 mm
40+90 cm	1273 mm	380 mm	-
40+40+60 cm	1334 mm	380 mm	767 mm

- A ≥30 mm
- D 490 mm
- I ≥50 mm
- J ≥50 mm
- Ra 0–5 mm

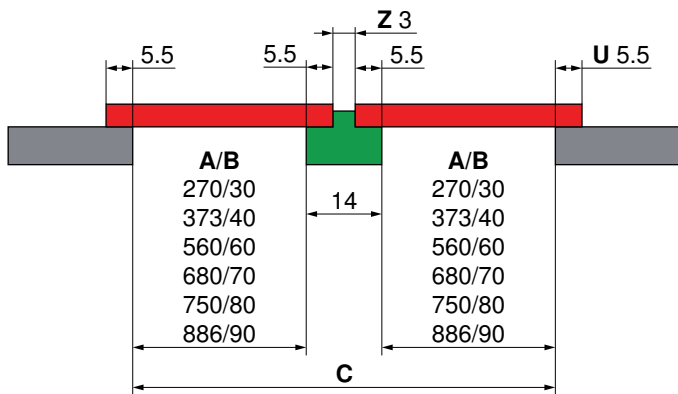




10.2 Examples of surface-mounted combinations

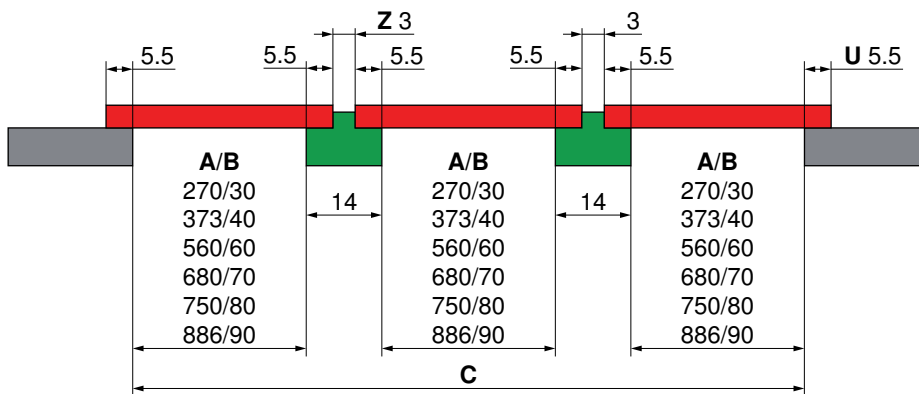
		
Worktop	Hobs	Intermediate support

Double surface-mounted combination



Example for cut-out width **C** with 30+30 cm: $270+14+270 = 554$ mm

Triple surface-mounted combination



Example for cut-out width **C** with 30+30+30 cm: $270+14+270+14+270 = 838$ mm

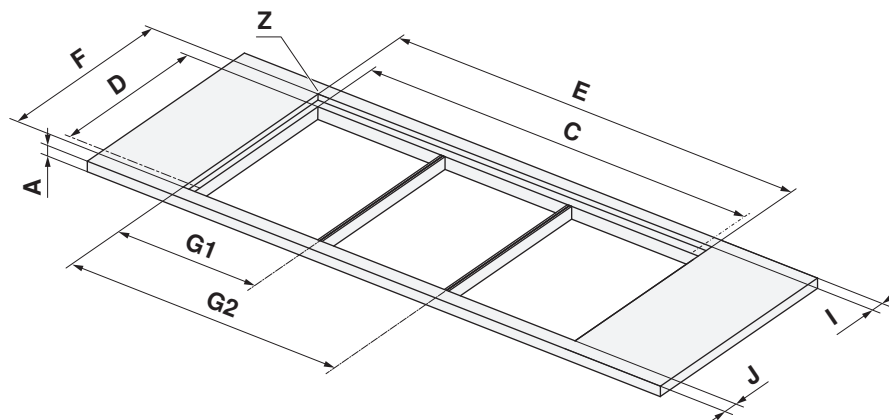
A	B	C	U	Z
Cut-out in mm	Hob size in cm	Cut-out width	Hob/worktop overlap	Intermediate support

10.3 Flush combination

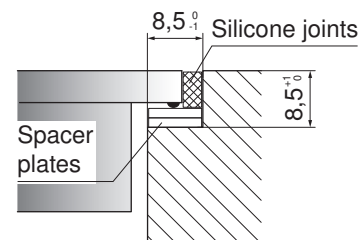
The flush-mounted hob combination is currently possible for all gas hobs, hob hoods and flush-mounted electric hobs with a base plate depth of 501 mm. The intermediate support kit H63789 (contains two intermediate supports) is required.

Dimensions table for hobs

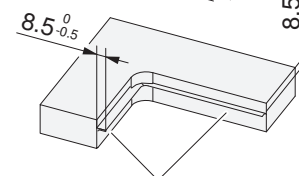
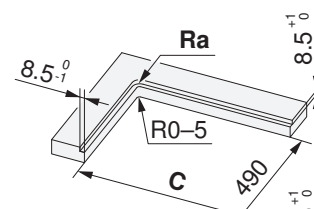
Combinations	Cut-out width E	Cut-out width C	Intermediate support position G1	Intermediate support position G2
30+30 cm	571 mm	554 mm	285.5 mm	-
30+40 cm	674 mm	657 mm	285.5 mm	-
40+40 cm	777 mm	760 mm	388.5 mm	-
30+30+30 cm	855 mm	838 mm	285.5 mm	569.5 mm
30+60 cm	861 mm	844 mm	285.5 mm	-
40+60 cm	964 mm	947 mm	388.5 mm	-
30+70 cm	981 mm	964 mm	285.5 mm	-
30+40+40 cm	1061 mm	1044 mm	285.5 mm	672.5 mm
40+70 cm	1084 mm	1067 mm	388.5 mm	-
40+40+40 cm	1164 mm	1147 mm	388.5 mm	775.5 mm
30+90 cm	1187 mm	1170 mm	285.5 mm	-
30+40+60 cm	1248 mm	1231 mm	285.5 mm	672.5 mm
40+90 cm	1290 mm	1273 mm	388.5 mm	-
40+40+60 cm	1351 mm	1334 mm	385.5 mm	775.5 mm



- A ≥30 mm
- I ≥41.5 mm
- J ≥41.5 mm
- D 490±1 mm
- F 507±1 mm
- Ra 5 mm



Detail Z



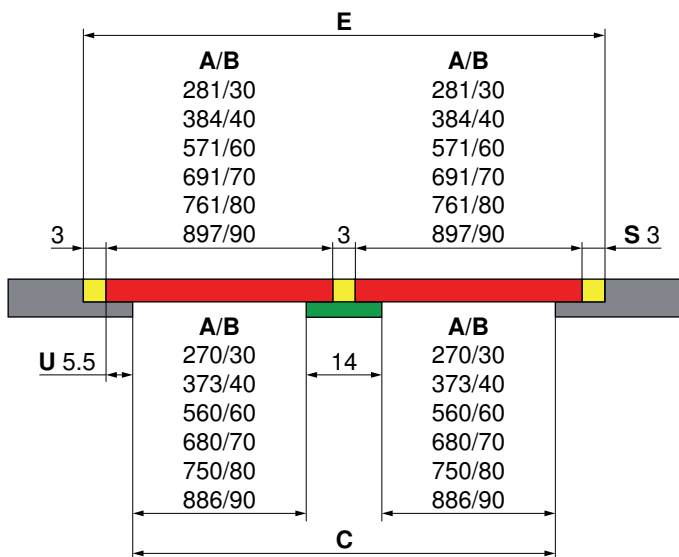
Steel angle mounted with adhesive or screws



10.4 Examples of flush combinations

Worktop	Hobs	Intermediate support	Silicone joint

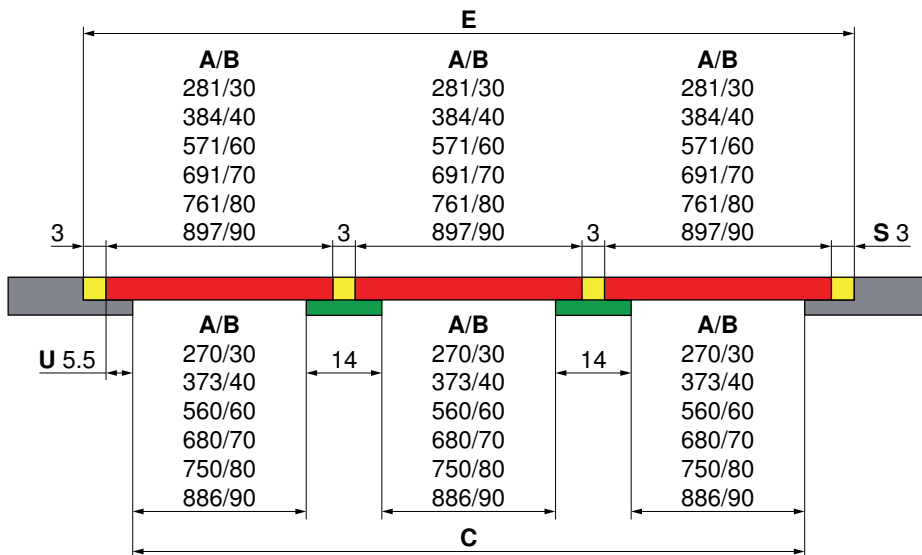
Double flush combination



Example for cut-out width **E** with 30+30 cm: $3+281+3+281+3 = 571$ mm

Example for cut-out width **C** with 30+30 cm: $270+14+270 = 554$ mm

Triple flush combination



Example for cut-out width **E** with 30+30+30 cm: $3+281+3+281+3+281+3 = 855$ mm

Example for cut-out width **C** with 30+30+30 cm: $270+14+270+14+270 = 838$ mm

A	B	C/E	S	U
Cut-out in mm	Hob size in cm	Cut-out width	Silicone joint	Hob/worktop overlap

11 Range hoods



Technical information on the range hoods can be found in the document J32836 «TechInfo for range hoods».

11.1 General notes



If other firing systems are being used at the same time (e.g. wood, gas, oil or coal fired heating appliances), safe operation is only possible providing a room negative pressure of 4 Pa (0.04 mbar) is not exceeded at the location of the appliance.
Risk of toxic fumes! An adequate flow of fresh air must be guaranteed e.g. via non-closable openings in doors or windows and in combination with an air-intake/exhaust-air wall box or by other technical means.



Efficient repairs can only be guaranteed if it is possible to uninstall the whole appliance at any time without causing any damage.

Minimum distance to the hob



If a V-ZUG appliance is being combined with a third-party brand (hob or range hood) and the stipulated minimum distance between the combined appliances is different, then the greater of the two must be observed. The minimum distance is measured between the bottom edge of the range hood and the bottom of the pot or pan.
If the appliance is installed over gas hobs, each cooking zone must be fitted with an ignition fuse.

Extraction mode



The extracted air must not be fed into a chimney which is used for exhausting fumes from appliances burning gas or other fuels.
Observe the local fire regulations.

Installation notes

- In addition to the correct dimensioning of the exhaust duct, it is also necessary to ensure a sufficient inflow of fresh air. **to replace the air that is being extracted.**
- Avoid routing the exhaust duct to the side through the chimney casing.
- Planning features for non-destructive de-installation and maintenance of the appliance:
 - Do not route telescopic casing in suspended ceilings.
 - Avoid silicone joints between the telescopic casing and the appliance.
 - All plastering, plasterboarding, wall papering or painting work is to be carried out prior to installing the appliance.

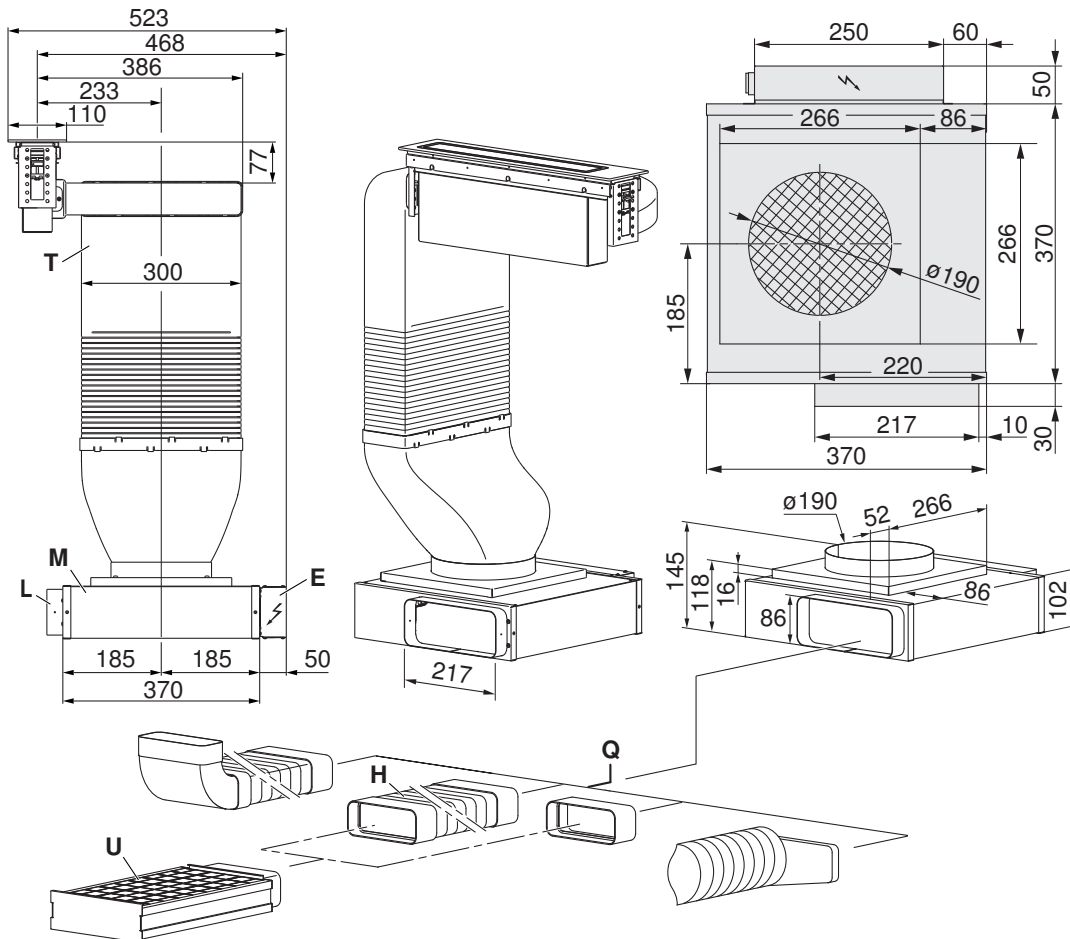
11.2 Special hoods



Special hood type **DSTS9 (64004)** may not be used in combination with gas hobs.
Special hood type **DSMS (64005)** may only be operated in combination with a gas hob of V-ZUG gas hob type: GAS311x, GAS321x, GAS411x, GAS421x, GAS641x, GAS731x and GAS951x, observing the permitted combination installation variants. The content of the operating and installation instructions for the listed gas hobs must be observed! If operating a permitted gas appliance, the hob hood must be fitted with the dedicated gas deflector 1031218 (accessory)! Operating a gas appliance without the gas deflector is not permitted!

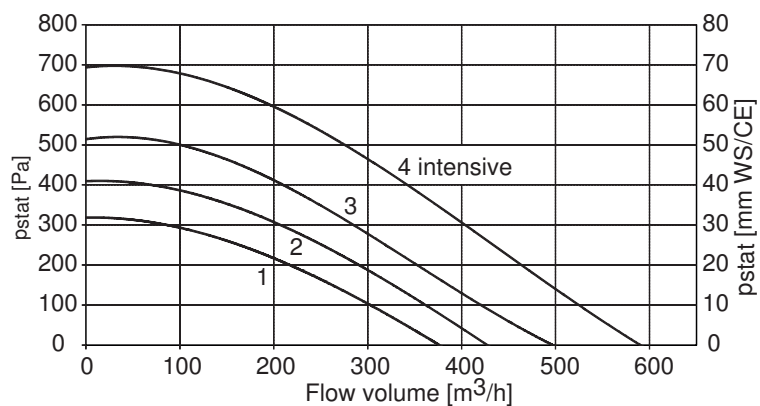
DSMS (64005)

Operating mode	Extraction/recirculation	Mains connection	220–240 V~ 50/60 Hz
Noise level	62–70 dB(A)	Fuse	10 A
Illumination	-	Fan speeds	4
Motor	1 × 145 W	Weight	~21.5 kg

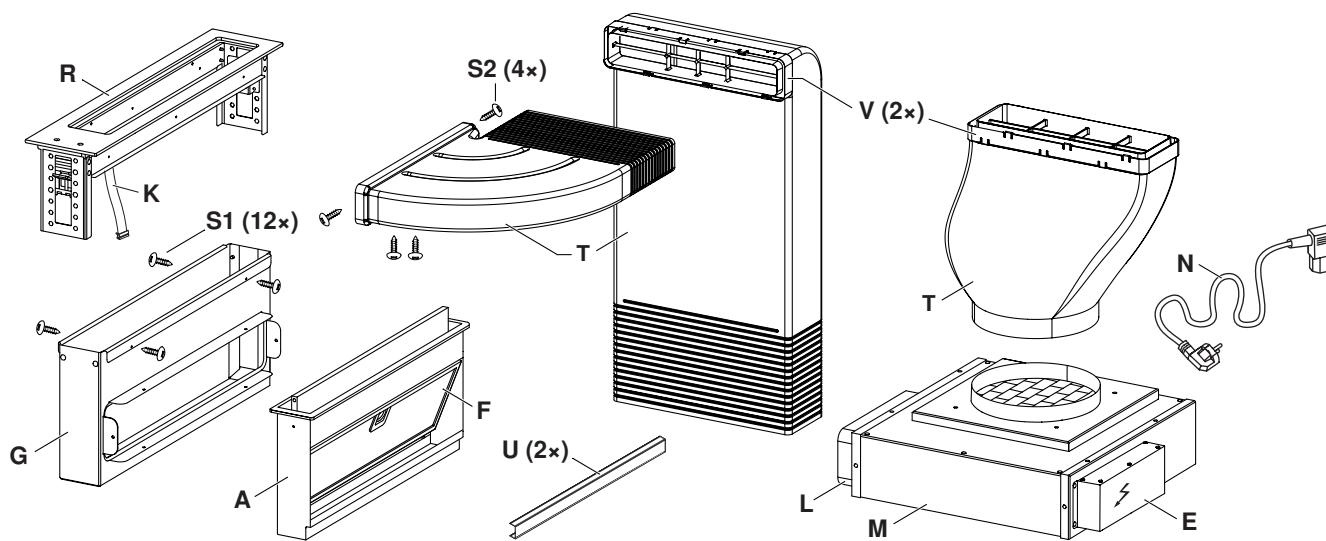


Suitable flat channel systems **Q** are available for order as accessories.

- The connection between the hob hood and the exhaust air duct **T** can be to the left or right.
- The ventilation outlet **L** can be fed through one of the four sides, however this can change the installation type.
- Depending on space requirements, the exhaust ducting **T** can be adjusted through shortening.
- The control unit **E** can be repositioned (≤ 250 mm) if required.
- Plan a removable **base plate** or **service flap** for fan motor **M** and recirculation box **U** (for recirculation mode).
- Access to the fan motor **M** and the recirculation box **U** is facilitated through extendible flat channel systems **Q**. Recommendation: Flat flexible elbow **H**, article no. **1012786** with flexible length (240–600 mm).
- For the recirculation mode, ensure sufficient ventilation so that moisture can escape. Plan in suitable material/wood.



Scope of delivery



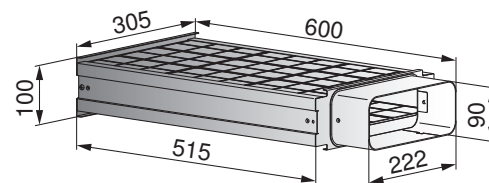
- A Drip tray frame
- E Control unit
- F Metal grease filter
- G Appliance housing
- K Control cable
- L Ventilation outlet
- M Fan motor

- N Mains cable length 1.8 m
- Q Flat channel system
- R Frame
- T Exhaust air duct
- U Spacer profile
- V Connecting elements

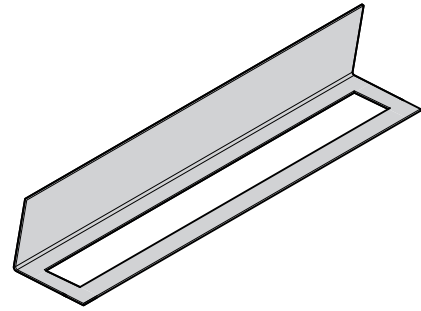
Accessories:

Recirculation box 1012161

The flat channel system **Q** (accessories) can be used for the installation. Flat channel systems made of plastic (see page 139)



Gas deflector 1031218, required accessory when using a permitted V-ZUG gas hob. Operating a gas appliance without the gas deflector is not permitted!

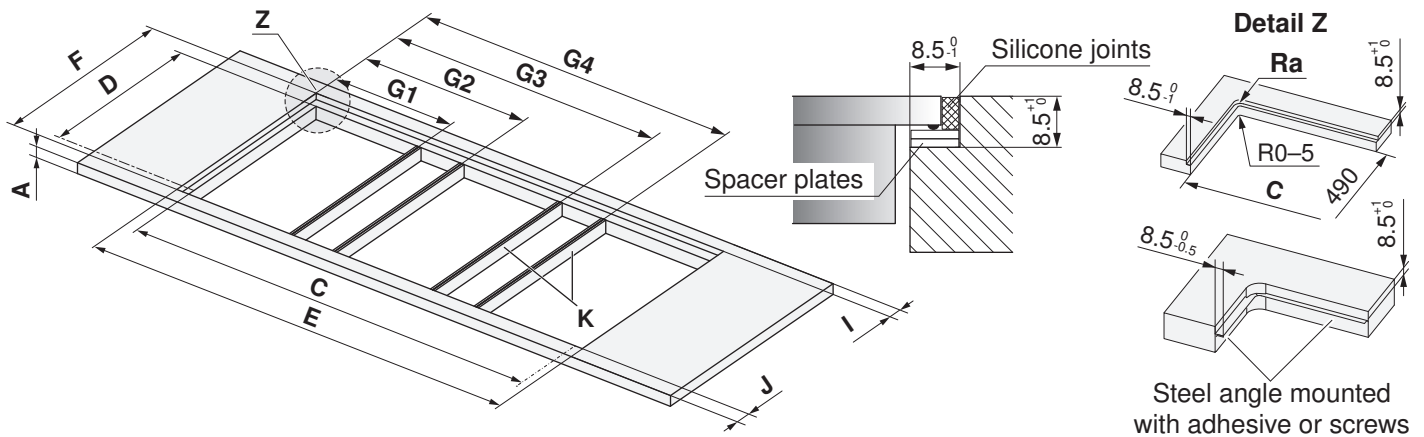


Combination installation

Flush installation

Flush-mounted installation with additional intermediate supports **K** requires the accessory **intermediate support set H63789** (contains two intermediate supports). Flush-mounted combination installation is described in document 1014381.

A WOK glass ceramic hob cannot be surface mounted!
 Reason: Glass thickness is 6 mm.

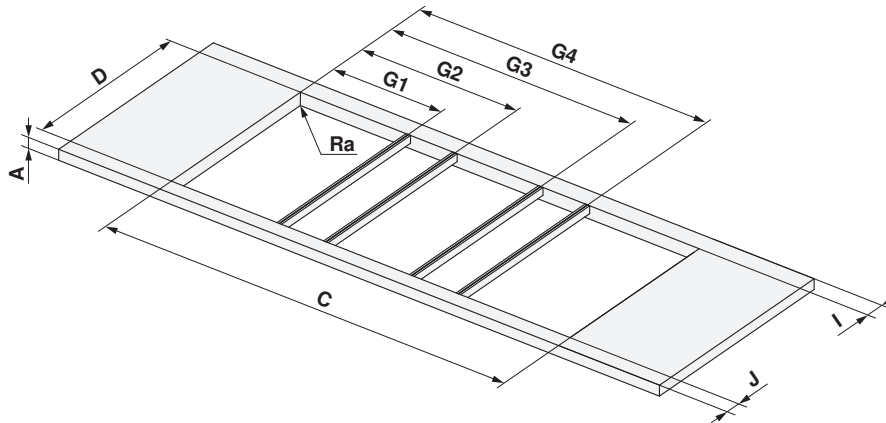


A	F	D	I	J	Ra	K
≥30 mm	507±1 mm	490±1 mm	≥41.5 mm	≥41.5 mm	5 mm	Intermediate support

Combinations	Cut-out width E	Cut-out width C	Intermediate support position G1	Intermediate support position G2	Intermediate support position G3	Intermediate support position G4
30+11+30 cm	684 mm	667 mm	285.5 mm	398.5 mm	-	-
30+11+40 cm	787 mm	770 mm	285.5 mm	398.5 mm	-	-
40+11+40 cm	890 mm	873 mm	388.5 mm	501.5 mm	-	-
11+80+11 cm	993 mm	976 mm	114.5 mm	878.5 mm	-	-
40+11+40+11+40 cm	1390 mm	1373 mm	388.5 mm	501.5 mm	888.5 mm	1001.5 mm
40+11+60+11+40 cm	1577 mm	1560 mm	388.5 mm	501.5 mm	1075.5 mm	1188.5 mm
40+11+70+11+40 cm	1697 mm	1680 mm	388.5 mm	501.5 mm	1195.5 mm	1308.5 mm
40+11+80+11+40 cm	1767 mm	1750 mm	388.5 mm	501.5 mm	1265.5 mm	1378.5 mm

Surface-mounted installation

Surface-mounted installation requires the accessory **side strip set 1028587** and either the intermediate support **K 1019199** (black) or **1014361** (stainless steel). Articles are available for order as accessories. Surface-mounted combination installation is described in document 1013773.

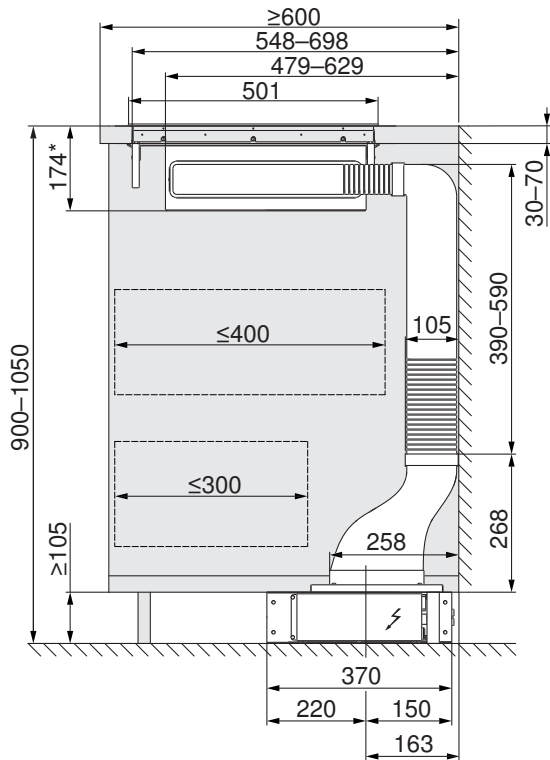


A	D	I	J	Ra
≥30 mm	490±1 mm	≥50 mm	≥50 mm	0–5 mm

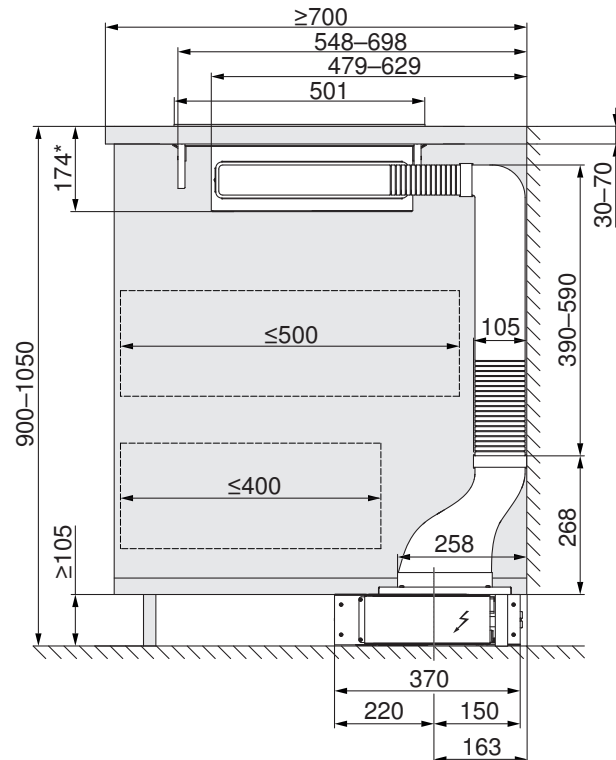
Combinations	Cut-out width C	Intermediate support position G1	Intermediate support position G2	Intermediate support position G3	Intermediate support position G4
30+11+30 cm	667 mm	277 mm	390 mm	-	-
30+11+40 cm	770 mm	277 mm	390 mm	-	-
40+11+40 cm	873 mm	380 mm	493 mm	-	-
11+80+11 cm	976 mm	106 mm	870 mm	-	-
40+11+40+11+40 cm	1373 mm	380 mm	493 mm	880 mm	993 mm
40+11+60+11+40 cm	1560 mm	380 mm	493 mm	1067 mm	1180 mm
40+11+70+11+40 cm	1680 mm	380 mm	493 mm	1187 mm	1300 mm
40+11+80+11+40 cm	1750 mm	380 mm	493 mm	1257 mm	1370 mm

Installation overview for base

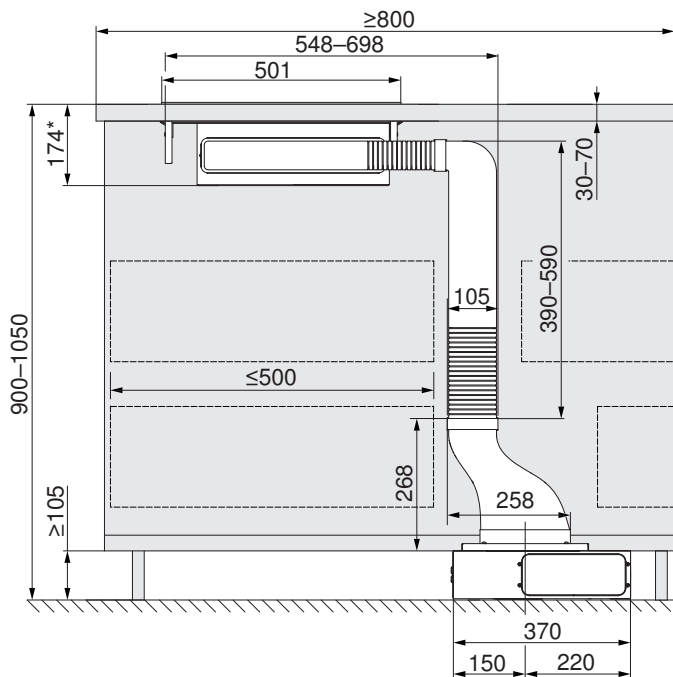
Wall installation, depth ≥ 600 mm



Wall/island installation, depth ≥ 700 mm



Island installation, depth ≥ 800 mm



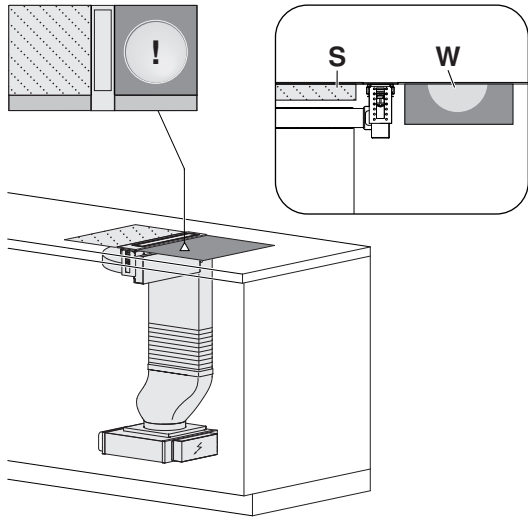
* Flush installation. Surface-mounted installation: 170 mm.

Appliance selection and combination possibilities

1. Planning example: Two hobs

Air duct in base to left/right.

The WOK glass ceramic hob / gas hob **W** is **always** positioned on the opposite side of the exhaust air duct. Standard hob **S**.

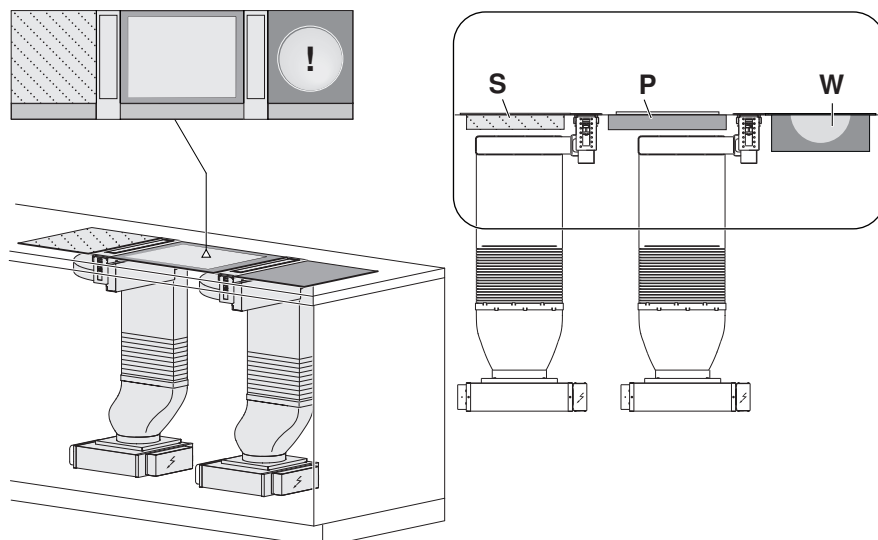


A WOK glass ceramic hob and gas hob may not be combined! In general, the use of a gas wok, in any combination, is not permitted.

2. Example: Three hobs

Air duct in base on both sides to left/right.

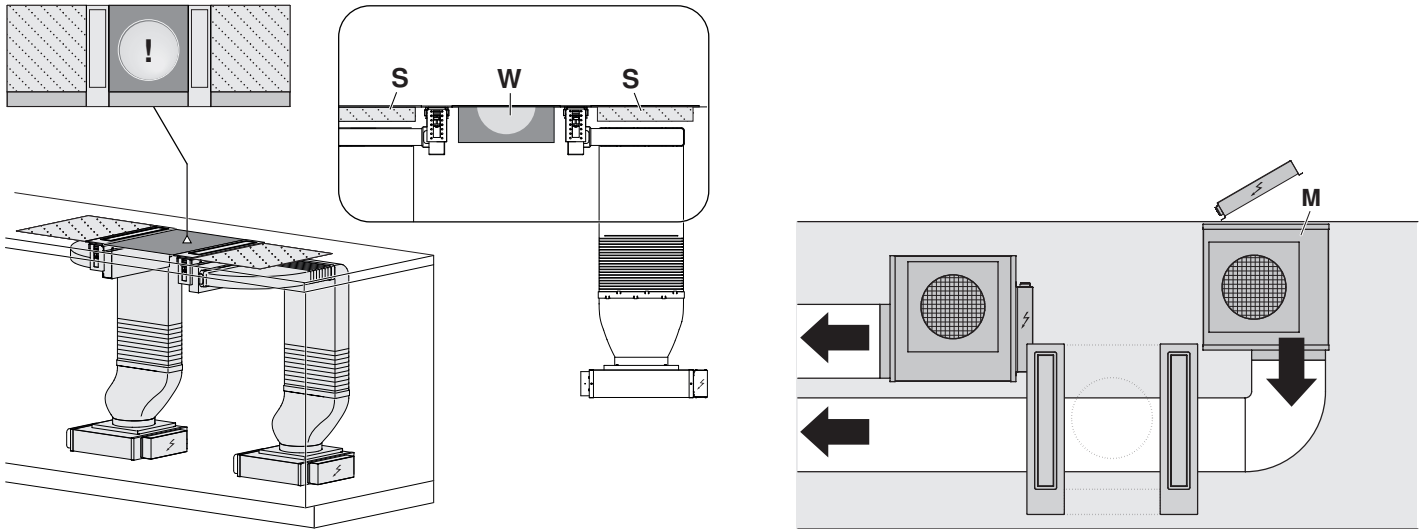
The Teppan Yaki hob **P** (600 mm) is positioned in the middle. The WOK glass ceramic hob / gas hob **W** is **always** positioned on the opposite side of the exhaust air duct. Standard hob **S**.



3. Example: Three hobs

Air duct in base on both sides to outside.

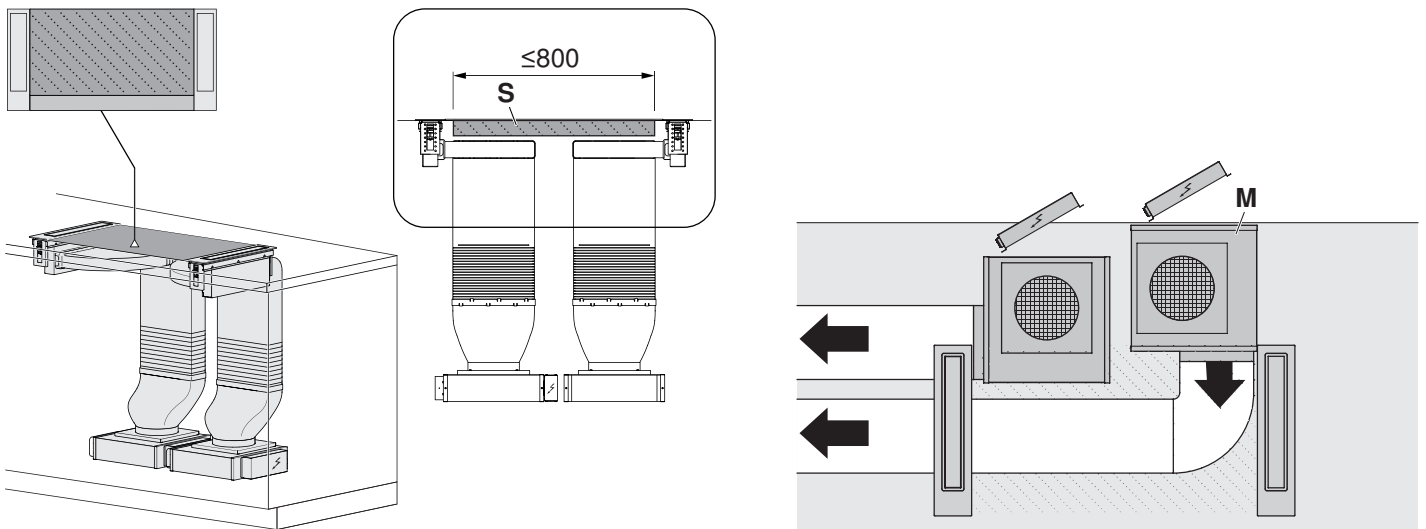
The WOK glass ceramic hob / gas hob **W** (400 mm) is positioned in the middle. Standard hob **S**. Possible position of 2 fan motors **M**.



4. Example: Large hob positioned in the middle

Air duct in base on both sides to inside for space economy.

Allows standard hob **S** with ≤ 800 mm installation width to be positioned in the middle. The WOK glass ceramic hob / gas hob **W** can **not** be positioned in the middle. Possible position of 2 fan motors **M**.





For use with a gas appliance

The hob hood may only be used with the dedicated gas deflector 1031218 (accessory) with one of the gas appliances listed below. Operating the hob hood without the gas deflector is not permitted!

Permitted gas appliances for use with the hob hood:

V-ZUG gas hob type: **GAS311x, GAS321x, GAS411x, GAS421x, GAS641x, GAS731x and GAS951x**, observing the permitted combination installation variants.

Combining the hob hood with two gas hobs is not permitted!

Using another gas appliance type/model or manufacturer is not permitted and can cause lasting damage to the hob hood.
 Failure to observe the above instruction can cause lasting bodily harm and lasting damage to property and the appliance. In such a case, any and all liability, guarantee and goodwill claims will be rejected, now and in the future!

Risk of burns!
 The appliance and surrounding components get hot during operation! Allow the fan flap, gas deflector and other components to cool down before touching them.

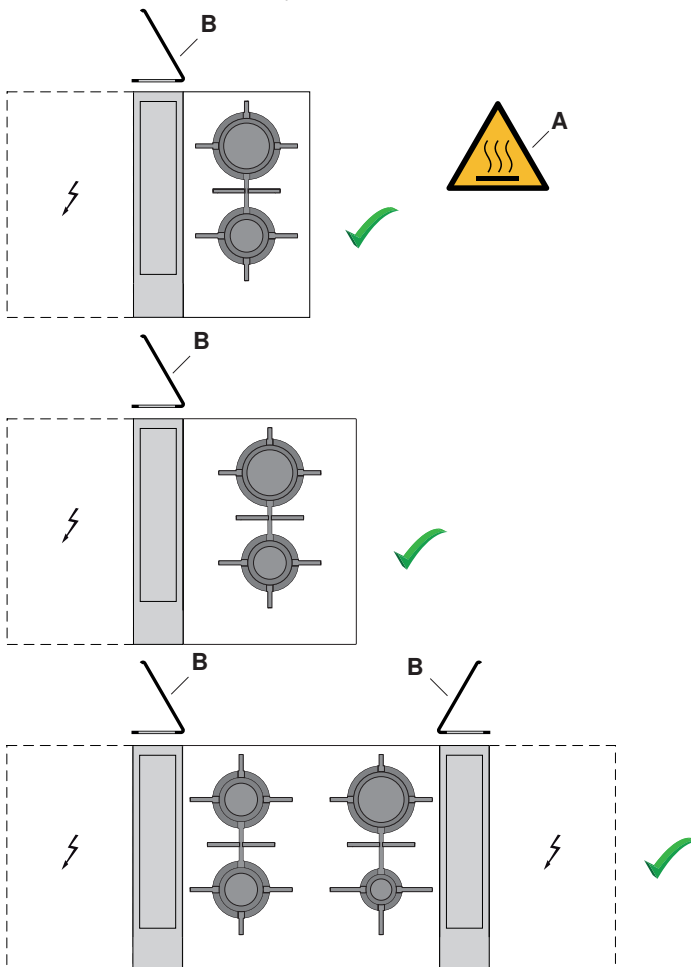
Fire hazard!
 Grease deposits can build up in the grease filter and catch fire. Clean the grease filter regularly. Only operate the appliance with the gas deflector.

Permitted installation variants (V-ZUG gas hob only)

As a variant may also be installed on either side of the appliance.

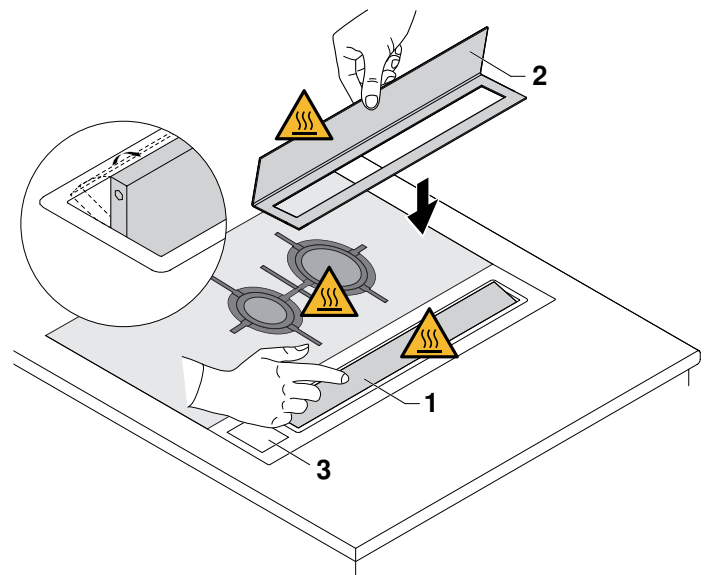
A Caution: Hot surface!

B Gas deflector correctly mounted.



The gas deflector 1031218 (required accessory) reduces the deflection/disturbance of the gas flame at the burner and prevents it being extinguished by a draft.

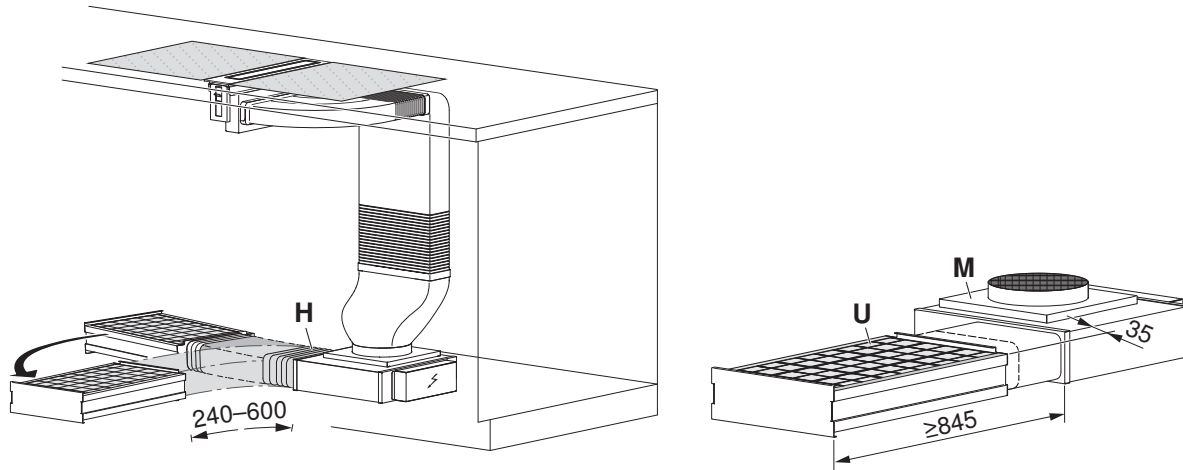
- ▶ Open fan flap 1.
- ▶ Set the gas deflector 2 in the correct position relative to the gas appliance.
- ▶ Switch on hob hood 3.



Installation variant for recirculation hob hood with recirculation box

Example: Recirculation mode with recirculation box

Flat flexible elbow, **H**, article no. **1012786** with flexible length (240–600 mm) easy installation/access to fan motor **M** and recirculation box **U**.



Plan in enough space for maintenance work and ensure access to the fan motor and the recirculation box (for replacing the activated charcoal filters)!

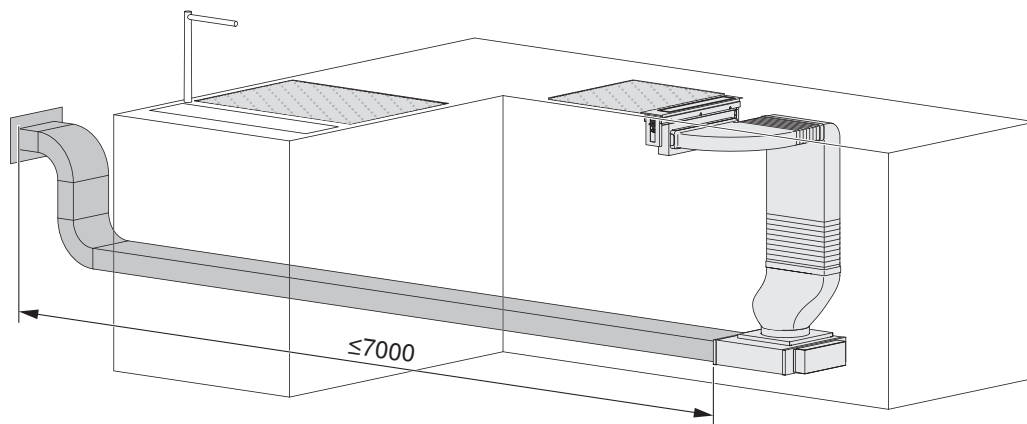


Dedicated accessories that need to be fitted to operate the appliance in the recirculation mode: article no. 1012161 recirculation box with activated charcoal filters!

Installation variant for extraction hob hood

Example: Extraction mode with flat channel (round channel also possible).

Plan in length of flat channel system to air outlet of **max. 7000 mm**. If the exhaust duct is to be routed outdoors, we recommend installing a telescopic wall box (accessory available for order).



Ensure enough space for maintenance work and access to the fan motor and flat channel system!

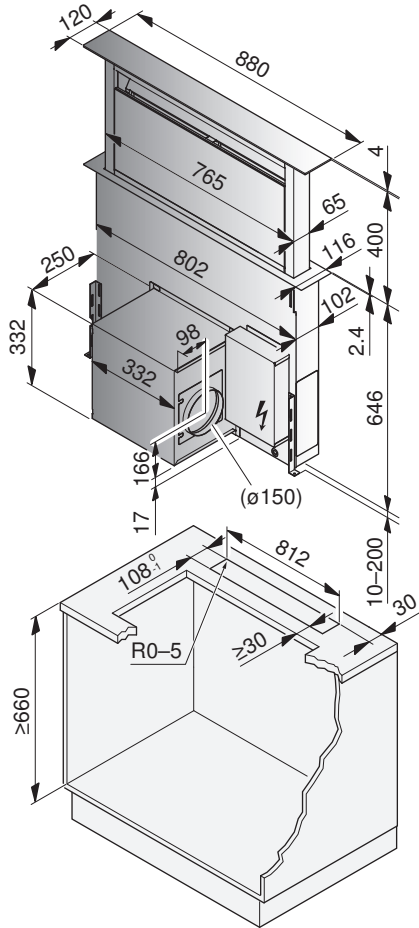


DSTS9 (64004)

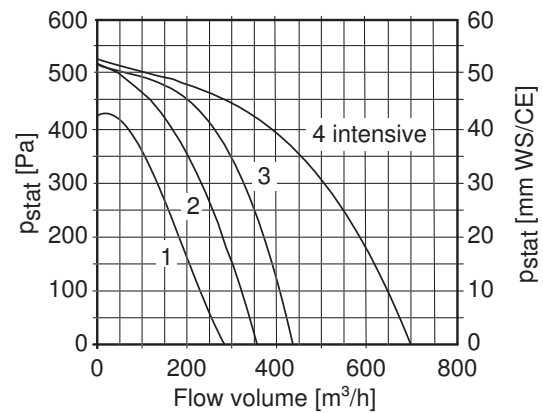
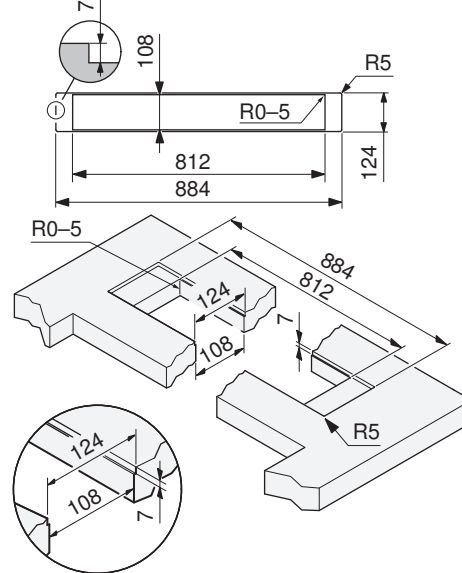
Operating mode	Extraction/recirculation
Noise level	49–69 dB(A)
Illumination	1 × 6 W
Motor	1 × 270 W

Mains connection	220–240 V~ 50/60 Hz, 276 W
Fuse	10 A
Fan speeds	4
Weight	~35 kg

Surface-mounted installation variant



Flush installation variant



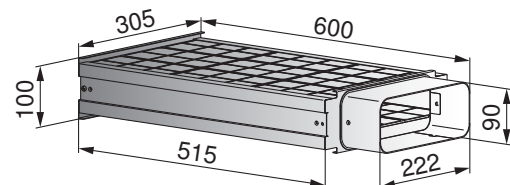
- Alternatively, the motor housing may be planned and mounted to the range hood from the back.
- The exhaust connection can be positioned to point in one of four directions.

Accessories:

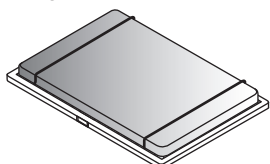
Recirculation box 1012161
 For the installation, a transition piece 1012782 or H42078 is needed. See Flat channel systems made of plastic (see page 139).

Recommendation for hob type:

GK46TIMPS..., GK47TIMPS...



Long-life activated charcoal filter 1012163



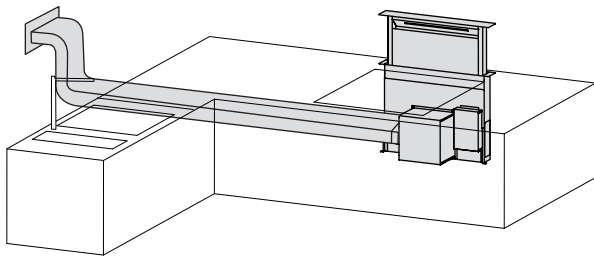
Downdraft hoods

The fan can be rotated for mounting. The exhaust air can thus be extracted upwards, left, right or downwards. The fan can also be mounted in the same position at the back of the appliance. If the fan is to be mounted at the back of the appliance, then the rear panel of the cabinet has to be cut out where the fan is to be mounted and ensure sufficient installation space behind the cabinet. The electricians can, if required, be positioned to the left of the fan, on the hood body or in the cabinet. Variants with external motor as an option are also possible.

Installation variants

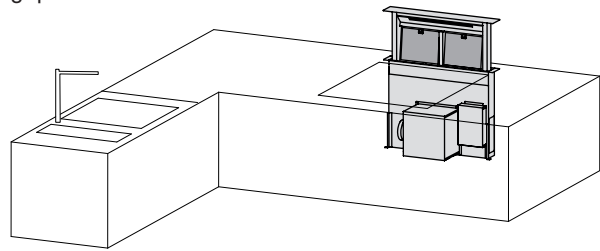
Downdraft extraction hoods

For this installation variant, the base fan feeds the exhaust air through the exhaust air pipe or in a space-saving way through a flat channel through the wall.



Downdraft recirculation hoods with «activated charcoal filters»

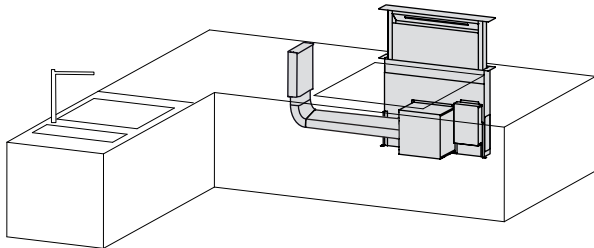
The activated charcoal filters are placed at the front, behind the grease filter, for this installation variant. For example, the exhaust air can be fed back into the room through a shadow gap.



Exhaust air outlet cross section: plan min. 500 cm² for exhaust air in base area.

Downdraft recirculation hoods with «recirculation box»

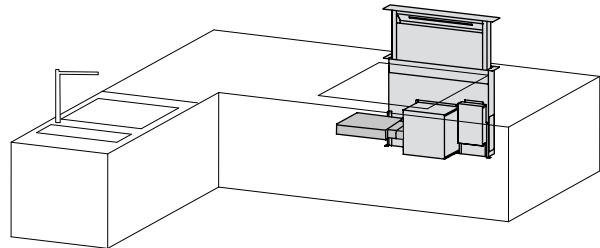
The recirculation box is connected to the flat channel in an up-right position for this installation variant. For example, the exhaust air can be fed back into the room through a shadow gap. Plans must include an inspection opening for replacing the filter in the recirculation box for this construction variant.



Exhaust air outlet cross section: plan min. 500 cm² for exhaust air in base area.

Downdraft recirculation hoods with «recirculation box»

The recirculation box is connected to the base fan for this installation variant. For example, the exhaust air can be fed back into the room through a shadow gap. Plans must include an inspection opening for replacing the filter in the recirculation box for this construction variant.

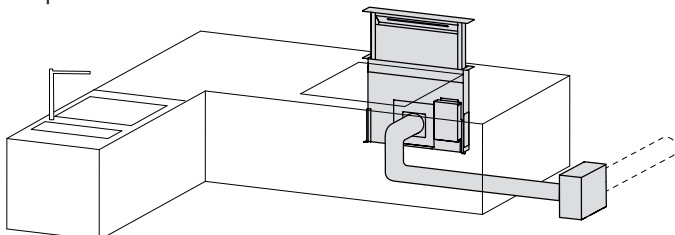


Exhaust air outlet cross section: plan min. 500 cm² for exhaust air in base area.

Downdraft hood with external motor

The motor can be placed externally for this installation variant, e.g. in an adjacent cabinet. A maximum distance of 4 m is recommended. The external motor must be installed on the inside.

Requires external motor set 1012164.



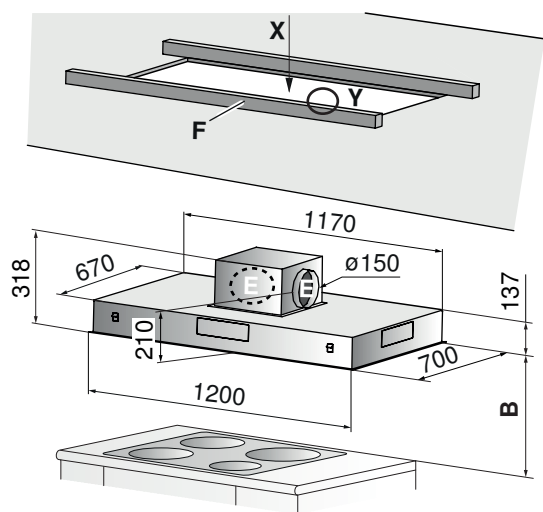
11.3 Ceiling range hoods

Applicable to the following hoods:

- For activation of external motor flaps, roof ventilators, room fans, etc., see document P60.008.
- Mains connection directly above range hood, connection cable 1.5 m with plug.

DSDSR12 (64003)

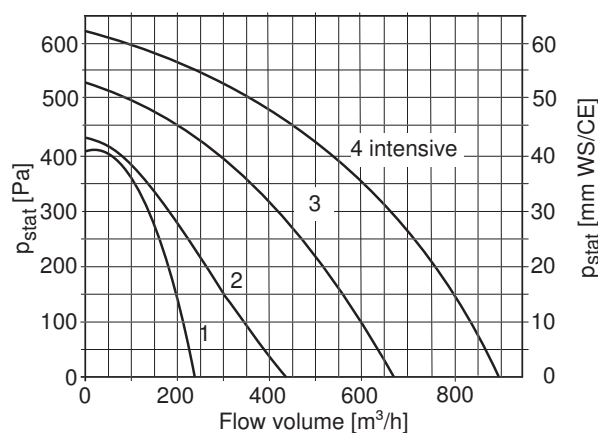
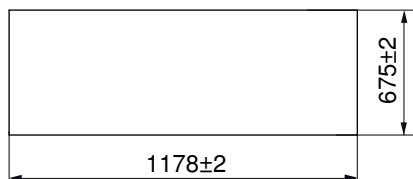
Operating mode	Extraction	Mains connection	220–240 V~ 50/60 Hz, 284 W
Noise level	43–74 dB(A)	Fuse	10 A
Illumination	2 × 7 W	Fan speeds	4
Motor	1 × 270 W	Weight	~33 kg



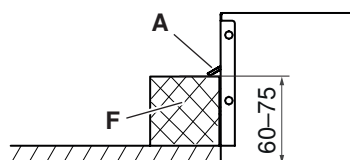
Rotatable motor housing **E** and mountable on all four sides

F Wooden strip

Cut-out measurements view **X**



View **Y**



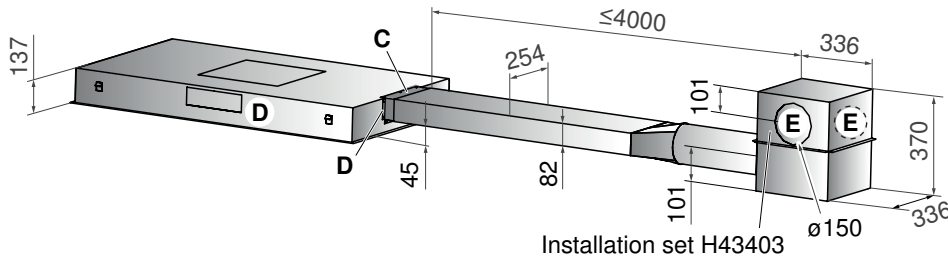
Minimum distance **B** above hob: 800 mm

Recommended maximum distance **B**: 1300 mm

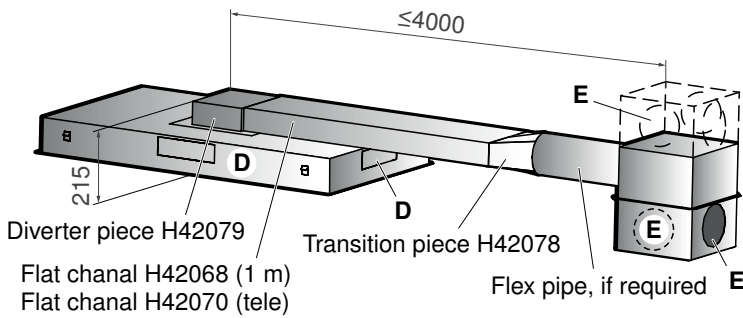
Note on minimum distance (see page 65)

Installation with external motor housing with side outlet (parts below not included in the scope of delivery)

Necessary accessories: Installation set for external motor housing H43403 (inclusive transition piece **C** for V-ZUG flat channel)



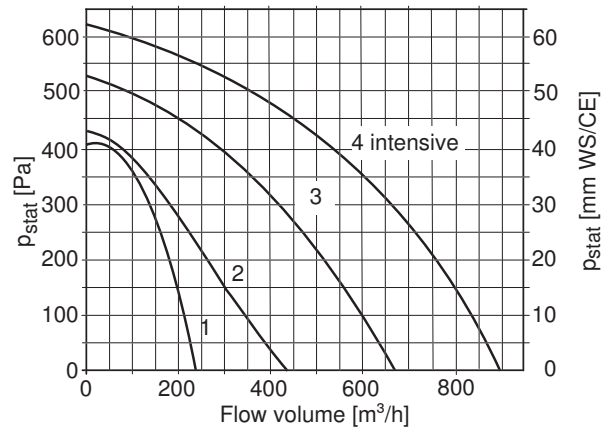
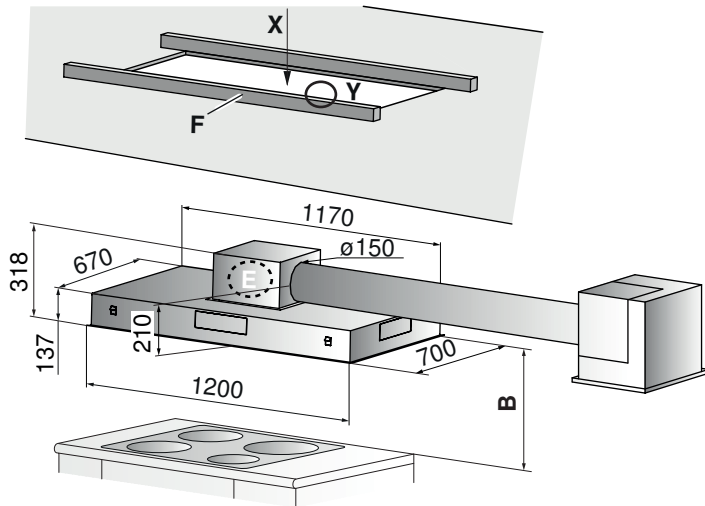
- Extraction **D** possible on all four sides.
- Outlet **E** selectable for all four sides.



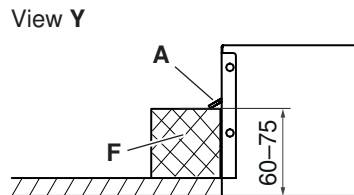
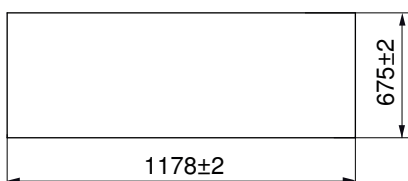
- Installation with external motor housing with overhead outlet. The motor housing must be placed on the inside.

Operating mode Recirculation
Noise level 43–74 dB(A)
Illumination 2 × 7 W
Motor 1 × 270 W

Mains connection 220–240 V~ 50/60 Hz, 284 W
Fuse 10 A
Fan speeds 4
Weight ~33 kg



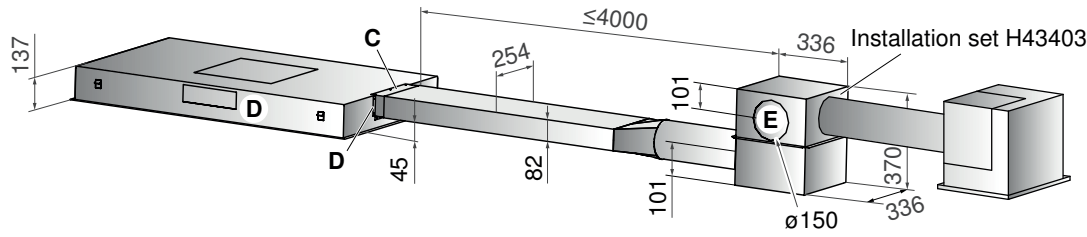
Cut-out measurements view **X**



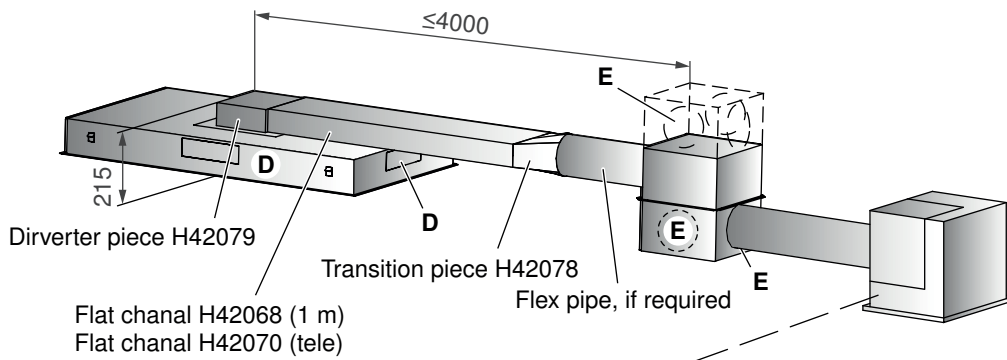
Minimum distance **B** above hob: 800 mm
 Recommended maximum distance **B**: 1300 mm
 Note on minimum distance (see page 65)

Installation with external motor housing with side outlet (parts below not included in the scope of delivery)

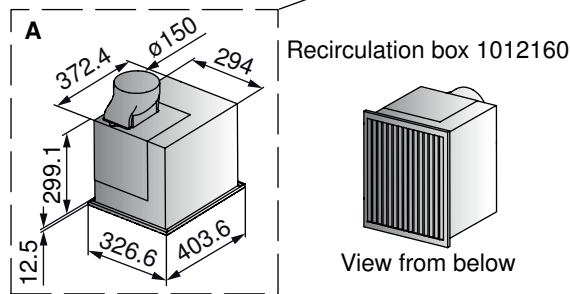
Necessary accessories: Installation set for external motor housing H43403 (inclusive transition piece **C** for V-ZUG flat channel)



- Extraction **D** possible on all four sides.
- Outlet **E** selectable for all four sides.



- Installation with external motor housing with overhead outlet.
A: Recirculation box option The motor housing must be placed on the inside.
- The recirculation box can be connected from the side, back or top.



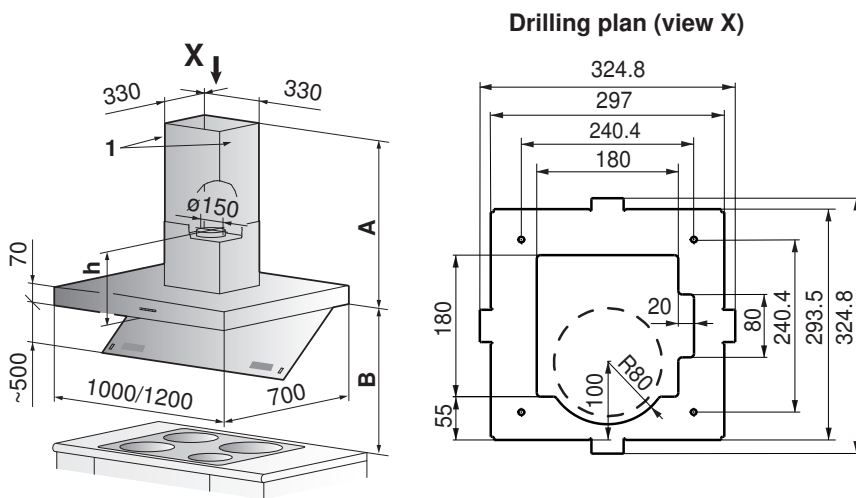
11.4 Island hoods

Applicable to the following hoods:

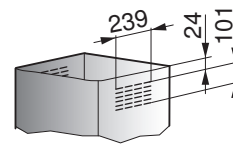
- Telescopic casing (adjustable) is supplied in up to 4 basic heights **A**.
- For activation of external motor flaps, roof ventilators, room fans, etc., see document P60.008.
- Mains connection directly above range hood, connection cable 1.2 m with plug.

DI-Premira DIPQG10 (63004), DIPQG12 (63005)

Operating mode	Extraction/recirculation	Mains connection	220–240 V~ 50/60 Hz, 138.8 W
Noise level	41–64 dB(A)	Fuse	10 A
Illumination	4 × 2.2 W	Fan speeds	4
Motor	1 × 130 W	Weight	~31.5/35 kg
Options connection	Max. 300 W		



Detail Y



Telescopic casing extracted air

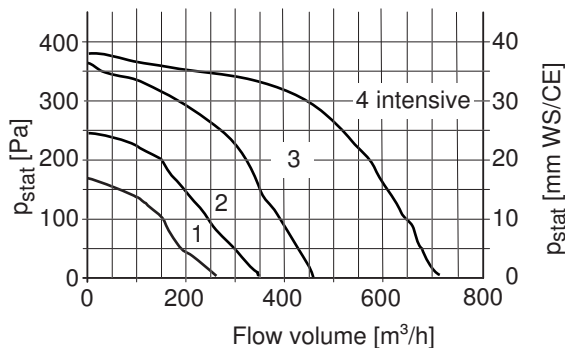
Available in 3 basic heights **A**:
 490–685 mm (standard H42598)
 690–925 mm (medium H42599)
 930–1320 mm (long H42600)

h Extraction/recirculation 2.5 kg: 435 mm
 Extraction with metal ring: 492 mm
 Recirculation 5 kg: 580 mm

¹ For recirculation air (see detail **Y**):
 - Air outlet, left/right: Always possible
 - Air outlet, front/back: for 2.5 kg activated charcoal if **A** ≥ 620 mm
 for 5 kg activated charcoal if **A** ≥ 765 mm

Telescopic casing recirculation air

Available in 4 basic heights **A**:
 580–660 mm: 2.5 kg activated charcoal (standard)
 665–795 mm: 5 kg activated charcoal (standard)
 800–1010 mm: 5 kg activated charcoal (medium)
 1015–1425 mm: 5 kg activated charcoal (long)



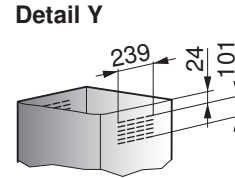
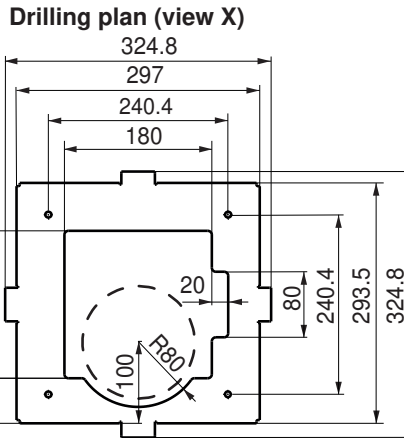
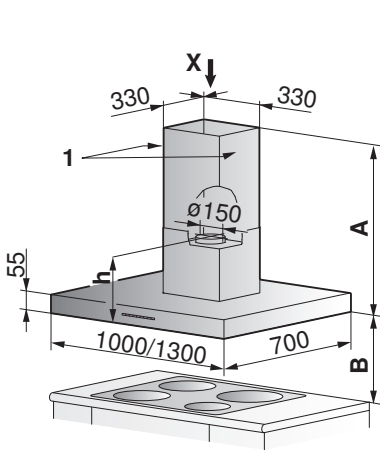
Minimum distance **B** above hob:

For electric hob: 550 mm
 For gas hob: 750 mm
 Note on minimum distance (see page 65)



DI-Premira DIPQ10 (63007), DIPQ13 (63006)

Operating mode	Extraction/recirculation	Mains connection	220–240 V~ 50/60 Hz, 138.8 W
Noise level	41–64 dB(A)	Fuse	10 A
Illumination	4 × 2.2 W	Fan speeds	4
Motor EU/Asia	1 × 130 W/250 W	Weight	~34/35 kg
Options connection (optional)	Max. 300 W		



Telescopic casing extracted air
 Available in 3 basic heights **A**:
 475–670 mm (standard H42598)
 675–910 mm (medium H42599)
 915–1305 mm (long H42600)

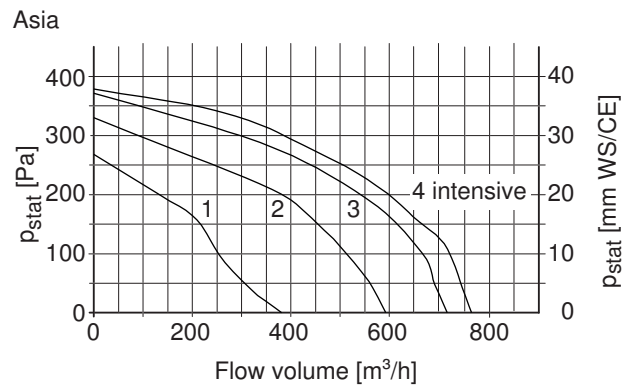
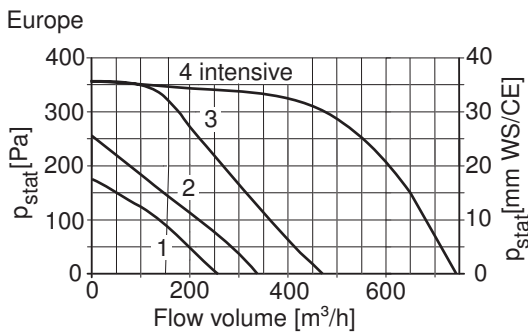
h Extraction/recirculation 2.5 kg: 420 mm
 Extraction with metal ring: 477 mm
 Recirculation 5 kg: 565 mm

- 1** For recirculation air (see detail Y):
- Air outlet, left/right: Always possible
 - Air outlet, front/back: for 2.5 kg activated charcoal if **A** ≥ 605 mm
 for 5 kg activated charcoal if **A** ≥ 750 mm

Telescopic casing recirculation air
 Available in 4 basic heights **A**:
 565–645 mm: 2.5 kg activated charcoal (standard)
 650–780 mm: 5 kg activated charcoal (standard)
 785–995 mm: 5 kg activated charcoal (medium)
 1000–1410 mm: 5 kg activated charcoal (long)

Minimum distance B above hob

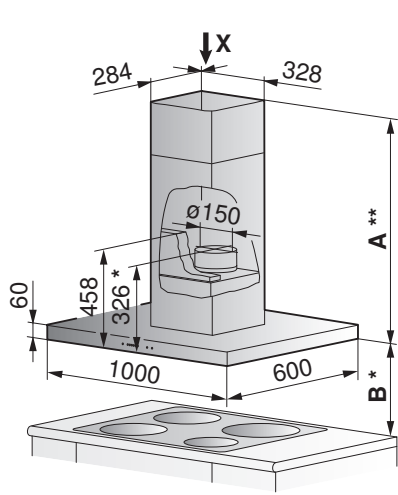
For electric hob: 500 mm
 For gas hob: 750 mm
 Note on minimum distance (see page 65)



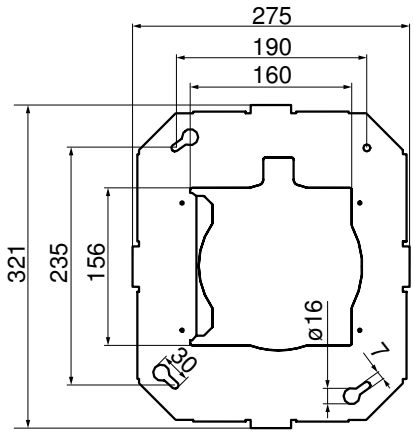


DIQS10 (63011)

Operating mode	Extraction/recirculation	Mains connection	220–240 V~ 50/60 Hz, 254 W
Noise level	46–67 dB(A)	Fuse	10 A
Illumination	4 × 1 W, 12 V~	Fan speeds	4
Motor	1 × 250 W	Weight	~15 kg
Options connection	Max. 300 W		



Drilling plan (view X)



Telescopic casing extracted air

Available in 2 basic heights **A**:
 595–740 mm (standard)
 730–960 mm (medium)

Telescopic casing recirculation air

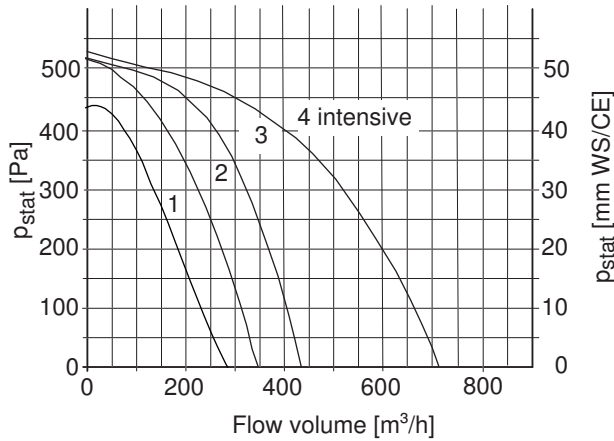
Available in 2 basic heights **A**:
 585–740 mm (standard)
 730–1060 mm (medium)

Minimum distance B above hob:

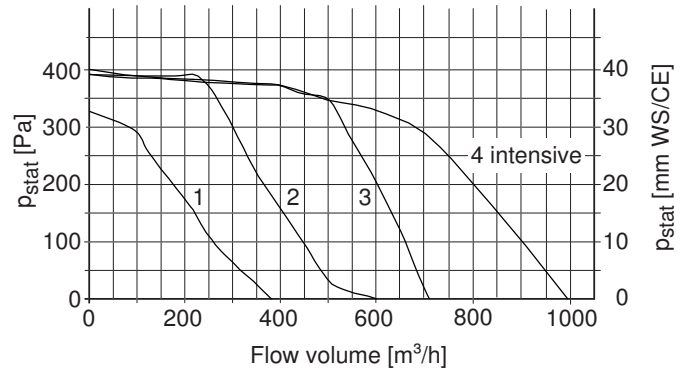
For electric hob: 650 mm
 For gas hob: 750 mm
 Note on minimum distance (see page 65)

* With metal ring: 610 mm
 ** Grid spacing: 15 mm

Europe

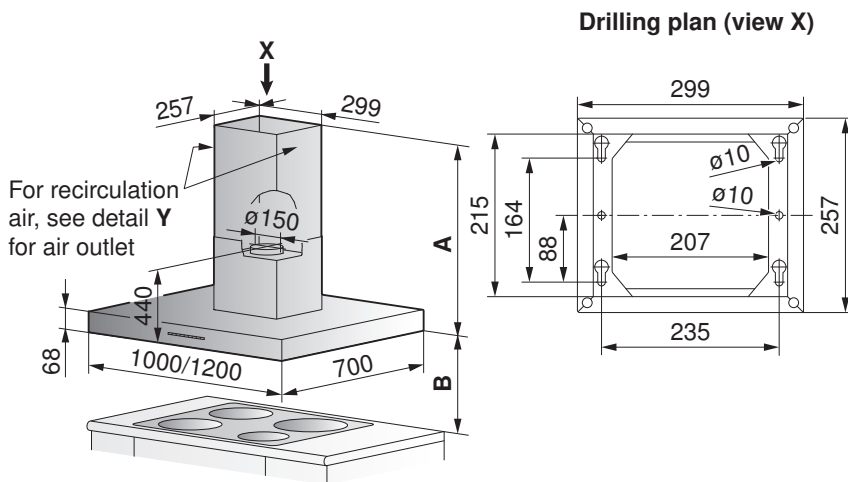


Asia

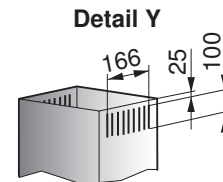


DIB10 (816), DIB12 (63008)

Operating mode	Extraction/recirculation	Mains connection	220–240 V~ 50/60 Hz, 640 W
Noise level	40–59 dB(A)	Fuse	10 A
Illumination	4 × 20 W, 12 V~	Fan speeds	4
Motor	1 × 260 W	Weight	~36 kg
Options connection	Max. 300 W		



For recirculation air, see detail Y for air outlet



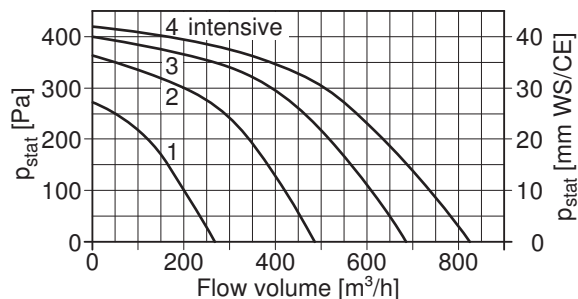
Telescopic casing extracted air
 Available in 3 basic heights A:
 550–745 mm (standard)
 750–1000 mm (medium)
 1000–1250 mm (long)

Telescopic casing recirculation air
 Available in 3 basic heights A:
 600–745 mm (standard)
 750–1000 mm (medium)
 1000–1250 mm (long)

Minimum distance B above hob:

For electric hob: 600 mm
 For gas hob: 750 mm

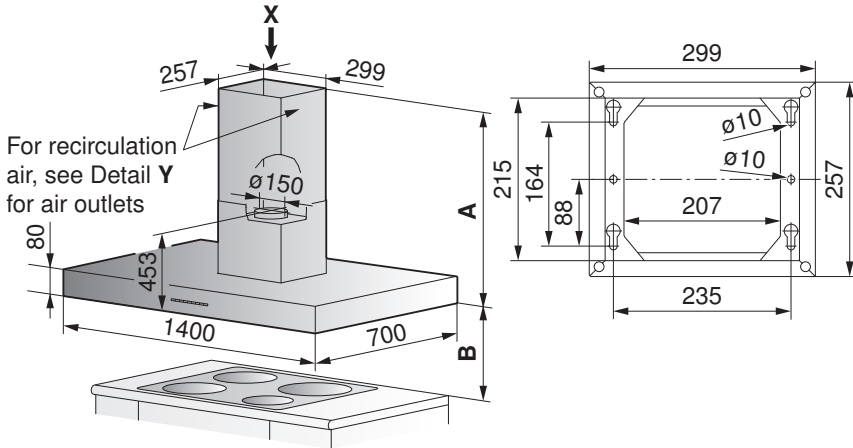
Note on minimum distance (see page 65)



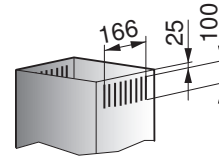
DIB14 (821)

Operating mode	Extraction/recirculation	Mains connection	220–240 V~ 50/60 Hz, 680 W
Noise level	40–59 dB(A)	Fuse	10 A
Illumination	6 × 20 W, 12 V~	Fan speeds	4
Motor	1 × 260 W	Weight	~45 kg
Options connection	Max. 300 W		

Drilling plan (view X)



Detail Y



Telescopic casing extracted air

Available in 3 basic heights **A**:
 562–757 mm (standard)
 762–1012 mm (medium)
 1012–1262 mm (long)

Telescopic casing recirculation air

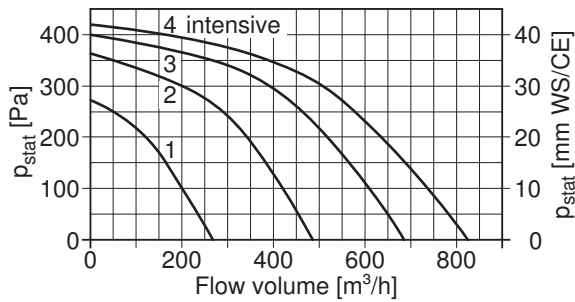
Available in 3 basic heights **A**:
 612–757 mm (standard)
 762–1012 mm (medium)
 1012–1262 mm (long)

Minimum distance B above hob:

For electric hob: 600 mm

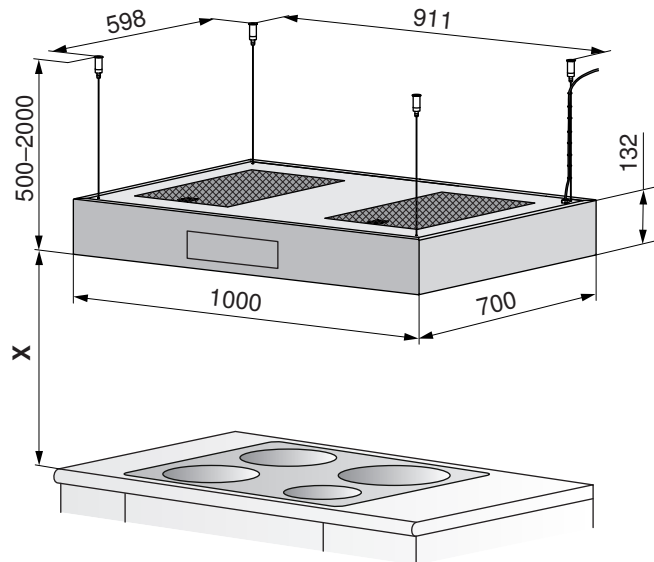
For gas hob: 750 mm

Note on minimum distance (see page 65)

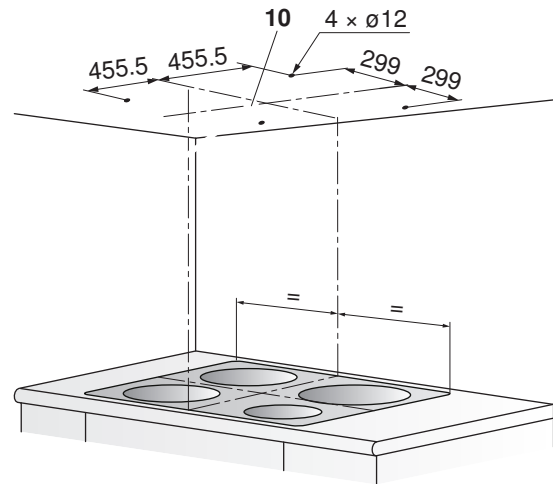


DIAS10 (63009)

Operating mode	Recirculation	Mains connection	220–240 V~ 50/60 Hz, 120 W
Noise level	54–70 dB (A)	Fuse	10 A
Illumination	4 × 5 W, 12 V~	Fan speeds	4
Motor	1 × 100 W	Weight	~30 kg



Drill template



Minimum distance X above hob:

For electric hob: 650 mm

For gas hob: 750 mm

Recommended maximum distance X: 1300 mm

Note on minimum distance (see page 65)



11.5 Wall hoods

Applicable to the following hoods:

- Consider type of piping (straight or elbow).
- Telescopic casing (adjustable) available in up to 4 basic heights **A**.
- For activation of external motor flaps, roof ventilators, room fans, etc., see document P60.008.
- Connection directly behind telescopic casing.

Positions of electrical connections



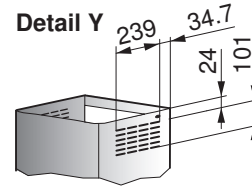
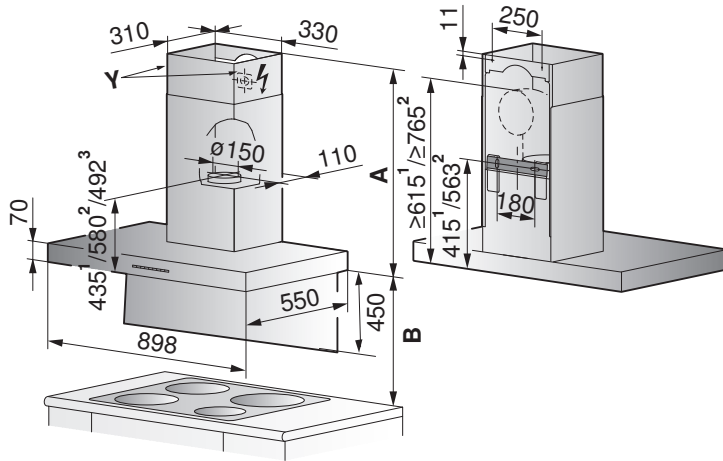
The specified dimensions are valid for straight exhaust air piping. If exhaust air piping with an elbow are used, the dimensions must be adapted accordingly.

Appliance	Connection from lower part of appliance	Connection from centre	Type of connection
DW-Premira	Recirculation 2.5 kg & extraction: 495 mm Recirculation 5 kg: 645 mm	80 mm	Flush power socket 230 V
DWVHR	≥545 mm	80 mm	
DWQS	550 mm	56 mm	



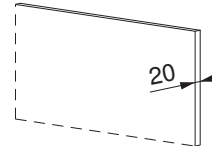
DW-Premira DWPQG9 (62004)

Operating mode	Extraction/recirculation	Mains connection	220–240 V~ 50/60 Hz, 134.4 W
Noise level	41–64 dB(A)	Fuse	10 A
Illumination	2 × 2.2 W	Fan speeds	4
Motor	1 × 130 W	Weight	~28.5 kg
Options connection (optional)	Max. 300 W		

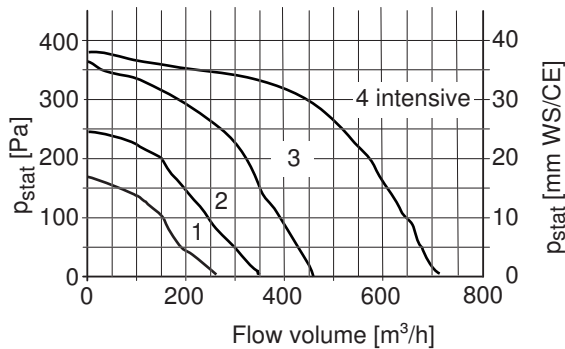


Use of stone cladding

20 mm thick wall panels (granite, marble) are possible.



- ¹ Extraction/recirculation 2.5 kg
- ² Recirculation 5 kg
- ³ Extraction with metal ring



Minimum distance B above hob:

For electric hob: 550 mm
 For gas hob: 750 mm
 Note on minimum distance (see page 65)

Telescopic casing extracted air

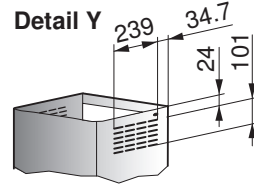
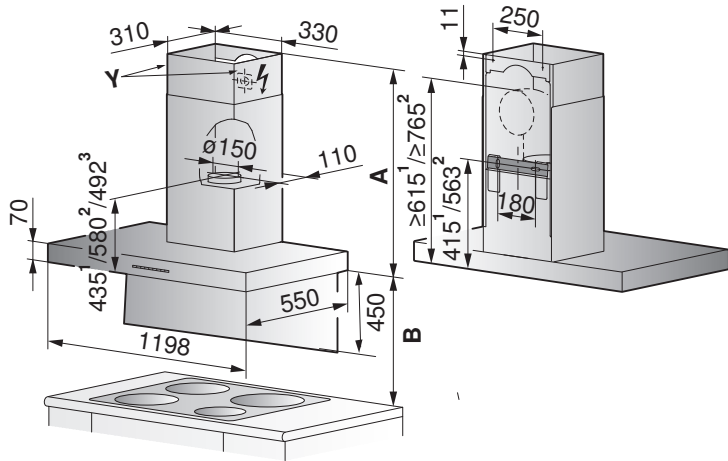
Available in 3 basic heights A:
 475–675 mm (standard)
 675–890 mm (medium)
 890–1320 mm (long)

Telescopic casing recirculation air

Available in 4 basic heights A:
 580–665 mm: 2.5 kg activated charcoal (standard)
 665–795 mm: 5 kg activated charcoal (standard)
 795–1010 mm: 5 kg activated charcoal (medium)
 1010–1440 mm: 5 kg activated charcoal (long)

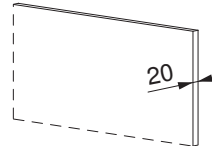
DW-Premira DWPQG12 (62005)

Operating mode	Extraction/recirculation	Mains connection	220–240 V~ 50/60 Hz, 136.6 W
Noise level	41–64 dB(A)	Fuse	10 A
Illumination	3 × 2.2 W	Fan speeds	4
Motor	1 × 130 W	Weight	~29 kg
Options connection (optional)	Max. 300 W		



Use of stone cladding

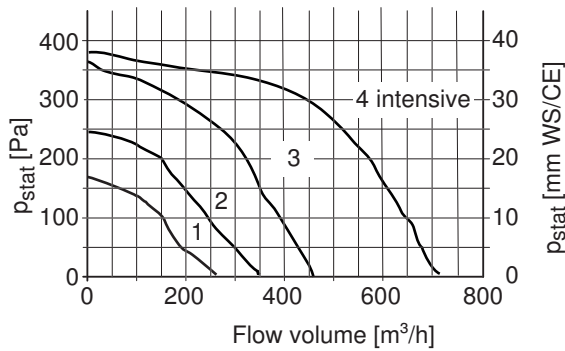
20 mm thick wall panels (granite, marble) are possible.



¹ Extraction/recirculation 2.5 kg

² Recirculation 5 kg

³ Extraction with metal ring



Minimum distance B above hob:

For electric hob: 550 mm

For gas hob: 750 mm

Note on minimum distance (see page 65)

Telescopic casing extracted air

Available in 3 basic heights **A**:

475–675 mm (standard)

675–890 mm (medium)

890–1320 mm (long)

Telescopic casing recirculation air

Available in 4 basic heights **A**:

580–665 mm: 2.5 kg activated charcoal (standard)

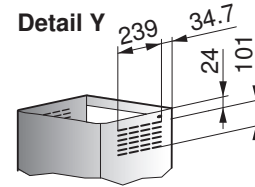
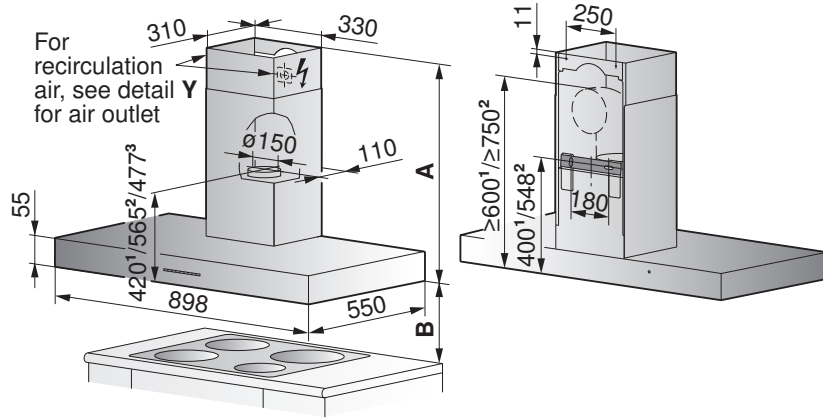
665–795 mm: 5 kg activated charcoal (standard)

795–1010 mm: 5 kg activated charcoal (medium)

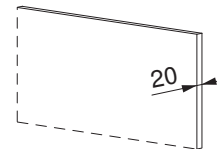
1010–1440 mm: 5 kg activated charcoal (long)

DW-Premira DWPQ9 (62007)

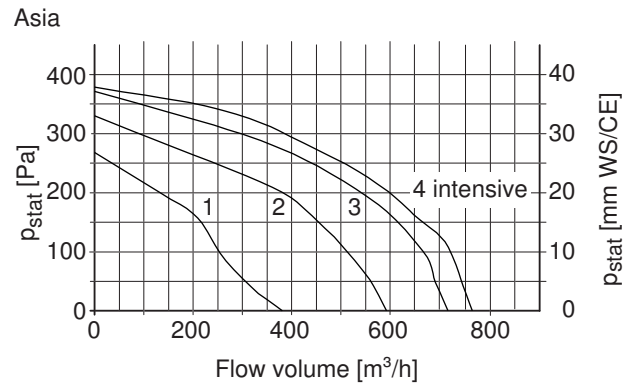
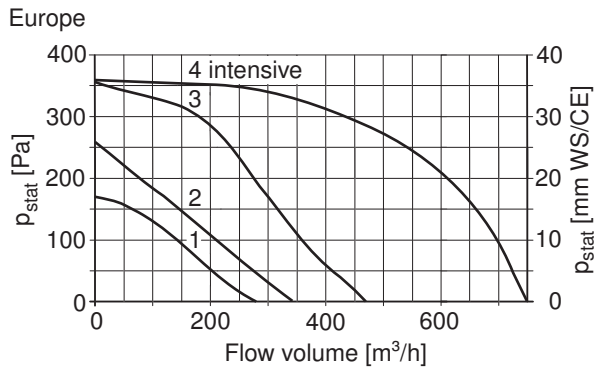
Operating mode	Extraction/recirculation	Mains connection	220–240 V~ 50/60 Hz, 134.4 W
Noise level	41–64 dB(A)	Fuse	10 A
Illumination	2 × 2.2 W	Fan speeds	4
Motor EU/Asia	1 × 130 W/250 W	Weight	~25.5 kg
Options connection (optional)	Max. 300 W		



Use of stone cladding
 20 mm thick wall panels (granite, marble) are possible.



- ¹ Extraction/recirculation 2.5 kg
- ² Recirculation 5 kg
- ³ Extraction with metal ring



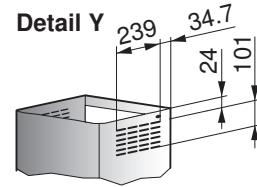
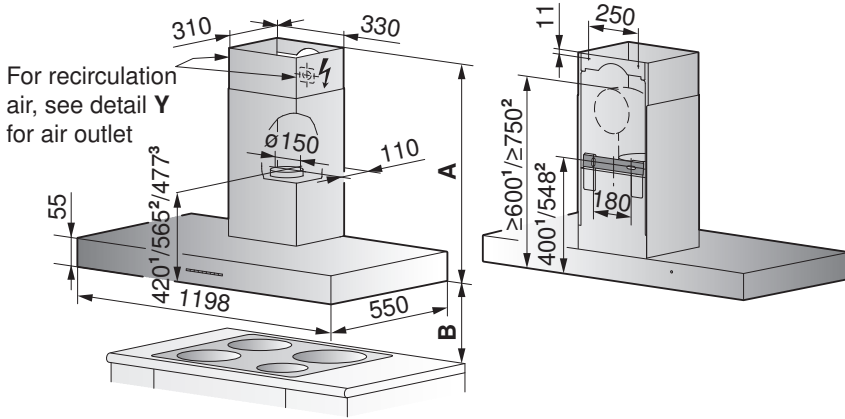
Telescopic casing extracted air
 Available in 3 basic heights **A**:
 460–660 mm (standard)
 660–875 mm (medium)
 875–1305 mm (long)

Telescopic casing recirculation air
 Available in 4 basic heights **A**:
 565–650 mm: 2.5 kg activated charcoal (standard)
 650–780 mm: 5 kg activated charcoal (standard)
 780–995 mm: 5 kg activated charcoal (medium)
 995–1425 mm: 5 kg activated charcoal (long)

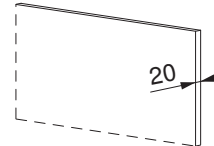
Minimum distance B above hob:
 For electric hob: 500 mm
 For gas hob: 750 mm
 Note on minimum distance (see page 65)

DW-Premira DWPQ12 (62006)

Operating mode	Extraction/recirculation	Mains connection	220–240 V~ 50/60 Hz, 136.6 W
Noise level	41–64 dB(A)	Fuse	10 A
Illumination	3 × 2.2 W	Fan speeds	4
Motor EU/Asia	1 × 130 W/250 W	Weight	~29 kg
Options connection (optional)	Max. 300 W		



Use of stone cladding
 20 mm thick wall panels (granite, marble) are possible.

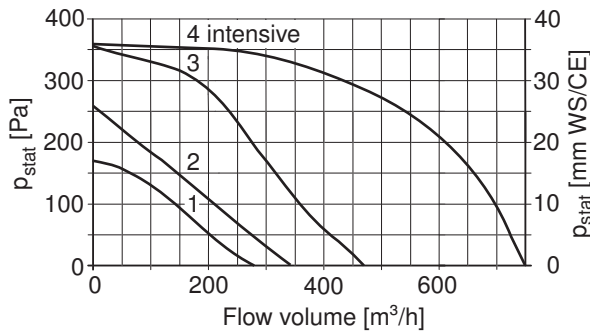


¹ Extraction/recirculation 2.5 kg

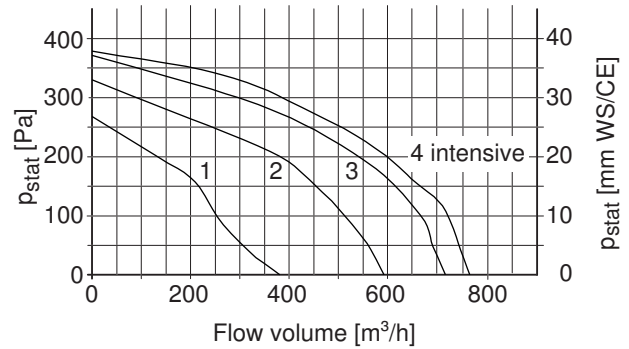
² Recirculation 5 kg

³ Extraction with metal ring

Europe



Asia



Telescopic casing extracted air

Available in 3 basic heights A:

- 460–660 mm (standard)
- 660–875 mm (medium)
- 875–1305 mm (long)

Telescopic casing recirculation air

Available in 4 basic heights A:

- 565–650 mm: 2.5 kg activated charcoal (standard)
- 650–780 mm: 5 kg activated charcoal (standard)
- 780–995 mm: 5 kg activated charcoal (medium)
- 995–1425 mm: 5 kg activated charcoal (long)

Minimum distance B above hob:

For electric hob: 500 mm

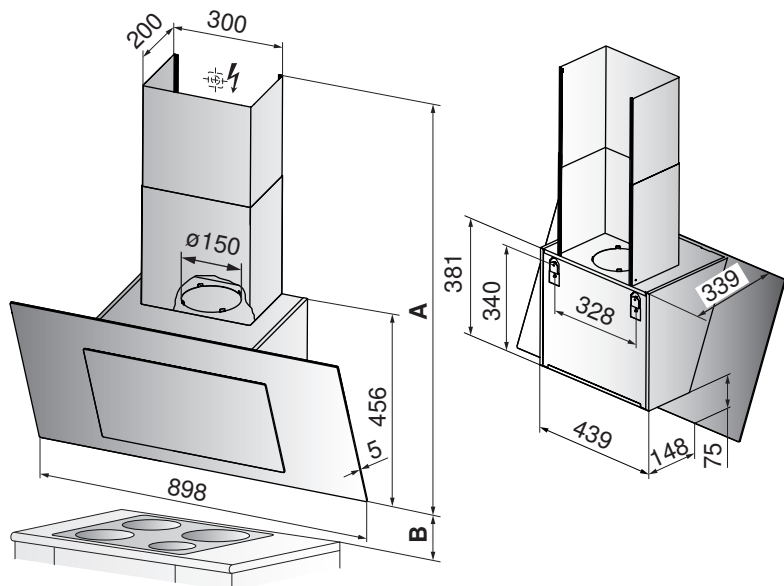
For gas hob: 750 mm

Note on minimum distance (see page 65)



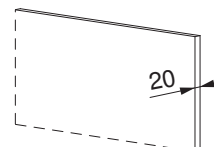
DWVHR9 (62010)

Operating mode	Extraction/recirculation	Mains connection	220–240 V~ 50/60 Hz, 272 W
Noise level	49–73 dB(A)	Fuse	10 A
Illumination	2 × 1.1 W, 12 V~	Fan speeds	4
Motor	1 × 270 W	Weight	~16 kg



Use of stone cladding

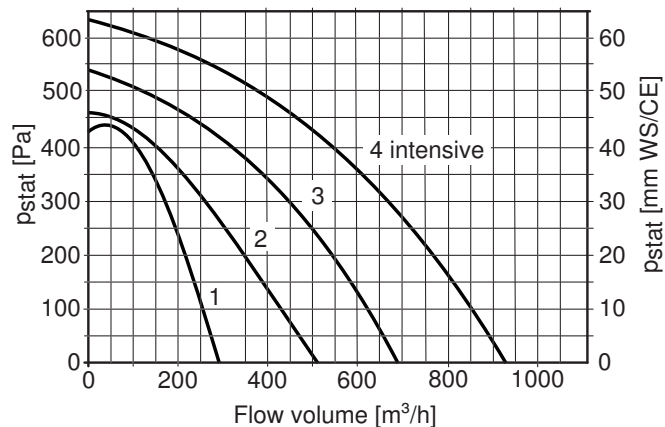
20 mm thick wall panels (granite, marble) are possible.



Telescopic casing extracted air

Available in 2 basic heights **A**:
 805–1095 mm (standard)
 1090–1435 mm (long)

Standard version recirculation air:
 without telescopic casing, with flat cover for filter and mains cable



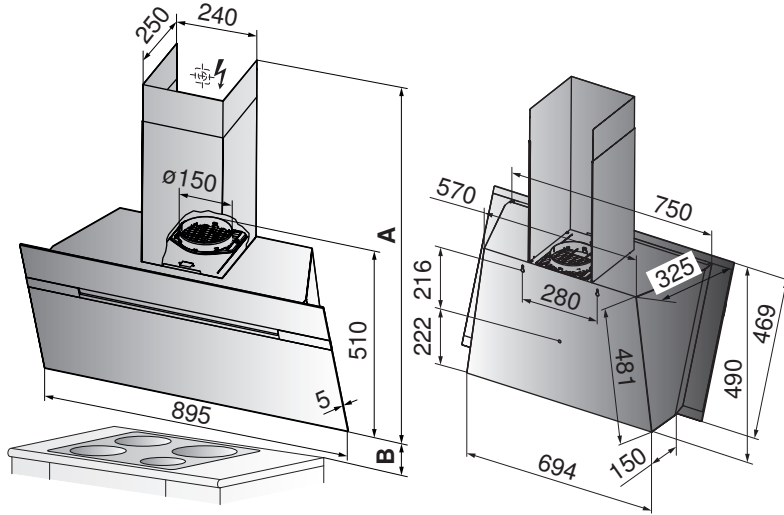
Minimum distance B above hob:

For electric hob: 450 mm
 For gas hob: 750 mm
 Note on minimum distance (see page 65)



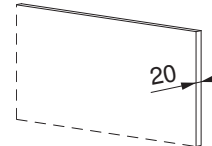
DWVMR9 (62009)

Operating mode	Extraction/recirculation	Mains connection	220–240 V~ 50/60 Hz, 305 W
Noise level	50–70 dB(A)	Fuse	10 A
Illumination	2 × 2.5 W, 12 V~	Fan speeds	4
Motor	1 × 300 W	Weight	19 kg



Use of stone cladding

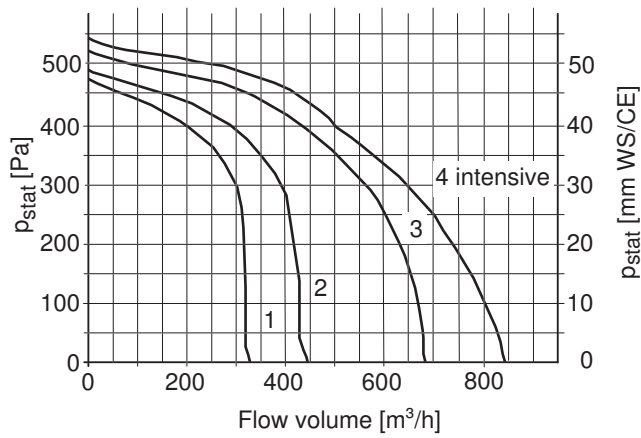
20 mm thick wall panels (granite, marble) are possible.



Telescopic casing extracted air

Available in basic height **A**:
 1045–1465 mm (standard)

Standard version recirculation air:
 without telescopic casing, with protective guard for fan opening



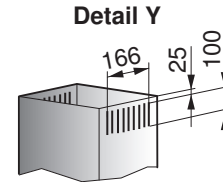
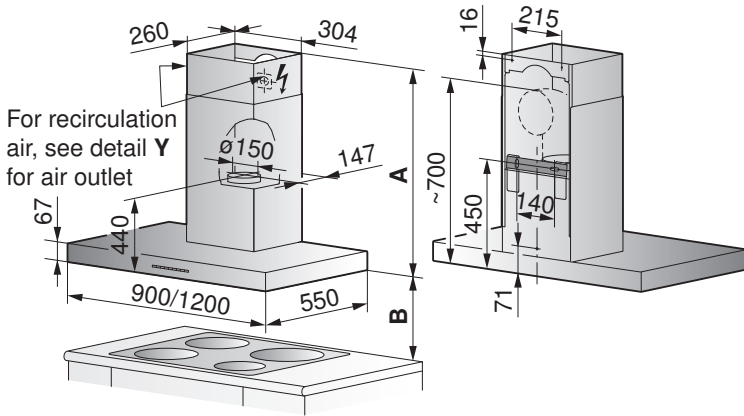
Minimum distance B above hob:

For electric hob: 400 mm
 For gas hob: 750 mm
 Note on minimum distance (see page 65)

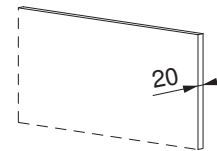


DWB9 (993), DWB12 (994)

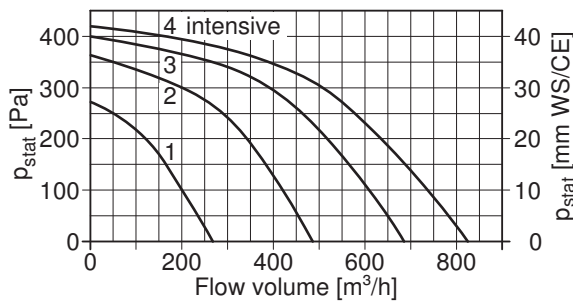
Operating mode	Extraction/recirculation	Mains connection	220–240 V~ 50/60 Hz, 640 W
Noise level	40–59 dB(A)	Fuse	10 A
Illumination	4 × 20 W, 12 V~	Fan speeds	4
Motor	1 × 260 W	Weight	~36 kg
Options connection	Max. 300 W		



Use of stone cladding
 20 mm thick wall panels (granite, marble) are possible.



Minimum distance B above hob:
 For electric hob: 600 mm
 For gas hob: 750 mm
 Note on minimum distance (see page 65)



Telescopic casing extracted air
 Available in 2 basic heights A:
 500–820 mm (standard)
 820–1150 mm (long)

Telescopic casing recirculation air
 Available in 2 basic heights A:
 600–820 mm (standard)
 820–1150 mm (long)

11.6 Built-in hoods

Applicable to the following hoods:

- For activation of external motor flaps, roof ventilators, room fans, etc., see document P60.008.
- Connection cable 1.2 m with plug

Positions of electrical connections



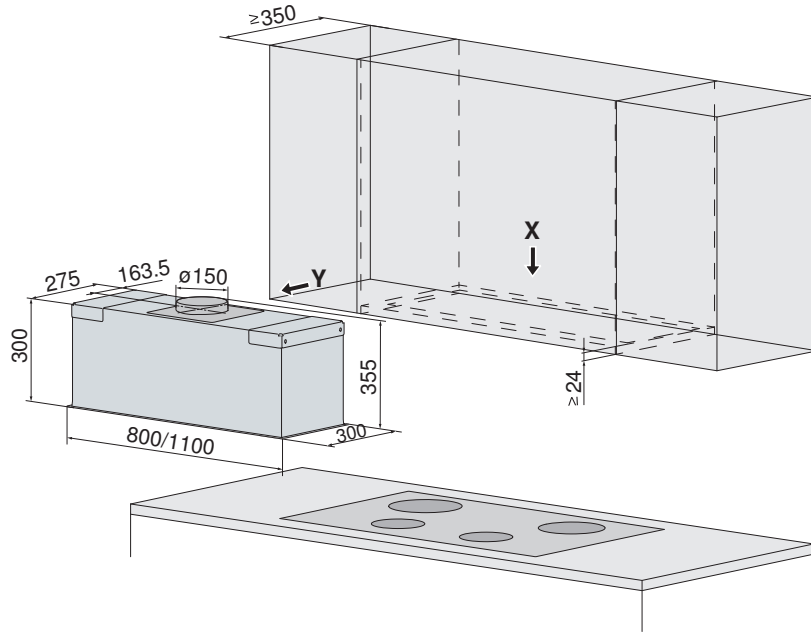
The specified dimensions are valid for straight exhaust air piping. If exhaust air piping with an elbow are used, the dimensions must be adapted accordingly.

Appliance	Connection from floor (plinth height 100 mm)	Connection in niche (from centre to connection)	Type of connection
All models	2050 mm	180 mm	Flush power socket 230 V

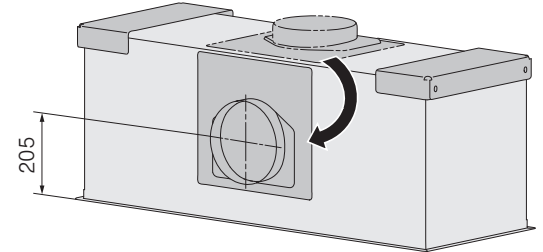


DHL8 (64001), DHL11 (64002)

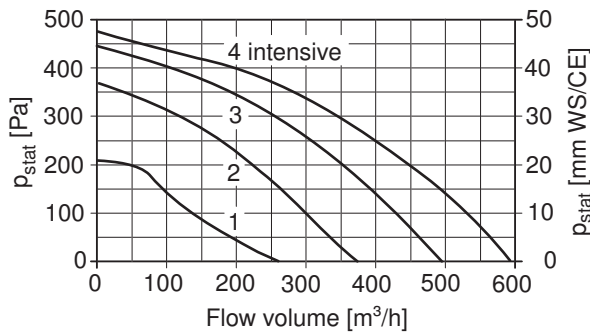
Operating mode	Extraction/recirculation	Mains connection	220–240 V~ 50/60 Hz, 200 W
Noise level	40–61 dB(A)	Fuse	10 A
Illumination	4 × 3 W	Fan speeds	4
Motor	188 W	Weight	~22.5/30.5 kg



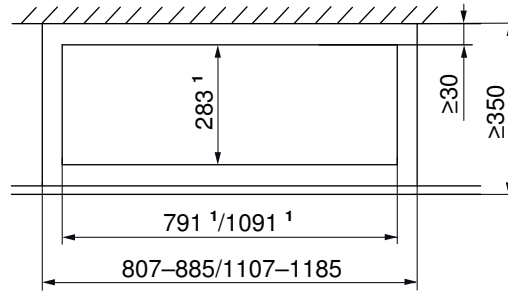
View Y



The range hood can be converted so that the exhaust air connection is at the back of the appliance.



Cut-out for wall unit (view X)



¹ Cut-out measurements

Minimum distance B above hob:

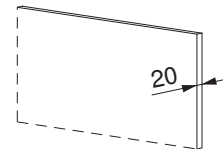
For electric hob: 500 mm

For gas hob: 750 mm

Note on minimum distance (see page 65)

Use of stone cladding

20 mm thick wall panels (granite, marble) are possible.



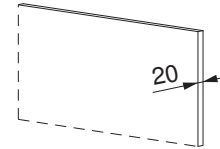


DEHE5 (61021), DEHE7 (61022)

Operating mode	Extraction/recirculation	Mains connection	220–240 V~ 50/60 Hz, 245 W
Noise level	69 dB(A)	Fuse	10 A
Illumination	2 × 20 W	Fan speeds	4
Motor	205 W	Weight	5/6 kg

² Use of stone cladding

20 mm thick wall panels (granite, marble) are possible.

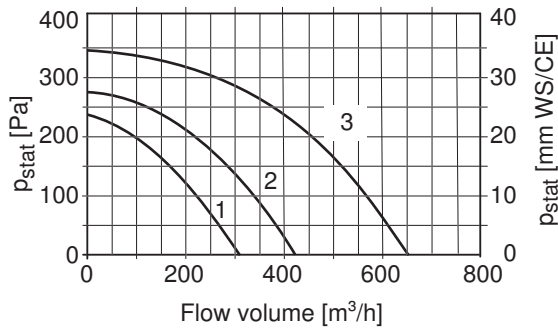
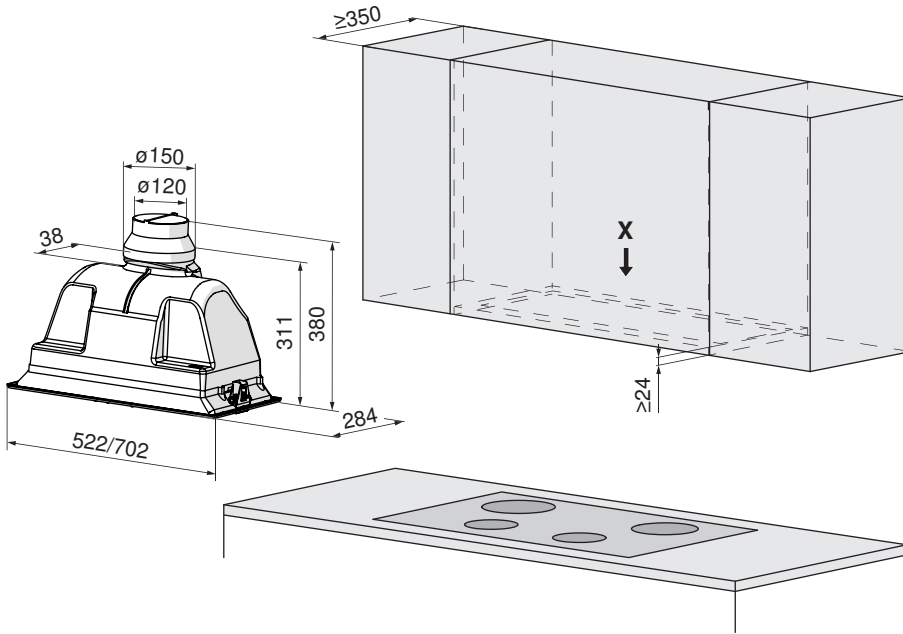


Minimum distance B above hob:

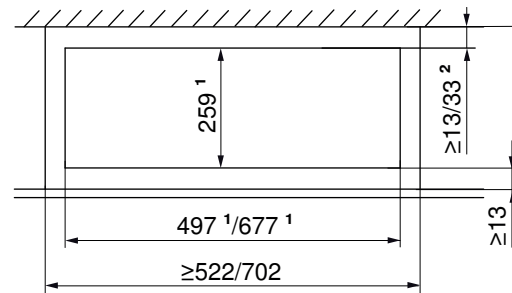
For electric hob: 650 mm

For gas hob: 750 mm

Note on minimum distance (see page 65)



Cut-out for wall unit (view X)

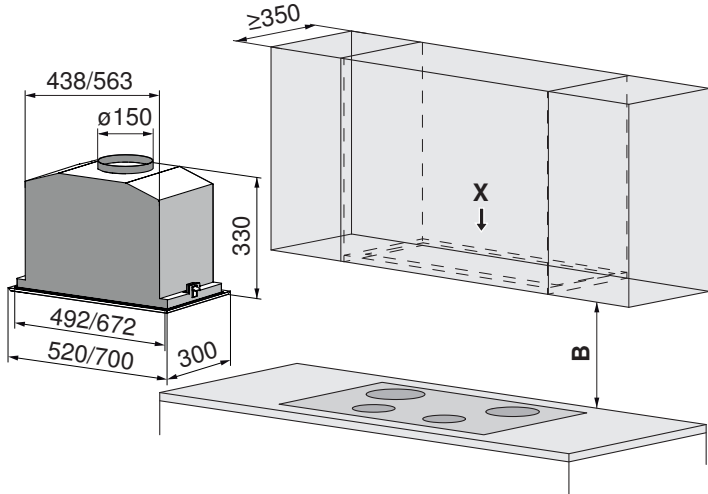


¹ Cut-out measurements



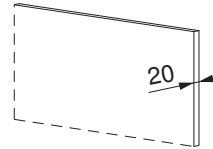
DEHMR5 (61023), DEHMR7 (61024)

Operating mode	Extraction/recirculation	Mains connection	220–240 V~ 50/60 Hz, 267.2 W
Noise level	56–72 dB(A)	Fuse	10 A
Illumination	2 × 1.1 W	Fan speeds	4
Motor	256 W	Weight	7/8 kg



² **Use of stone cladding**

20 mm thick wall panels (granite, marble) are possible.

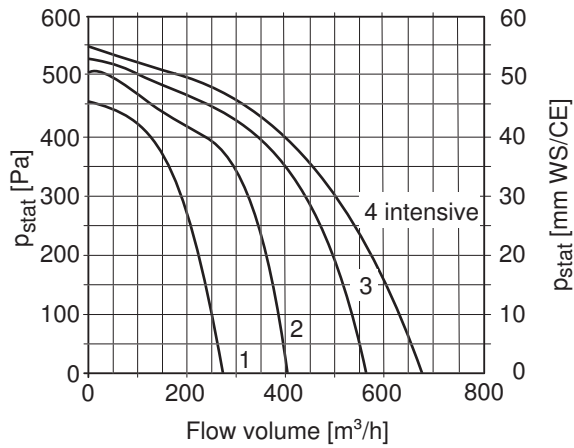


Minimum distance B above hob:

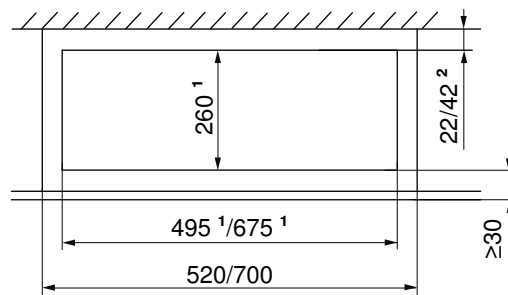
For electric hob: 650 mm

For gas hob: 750 mm

Note on minimum distance (see page 65)



Cut-out for wall unit (view X)

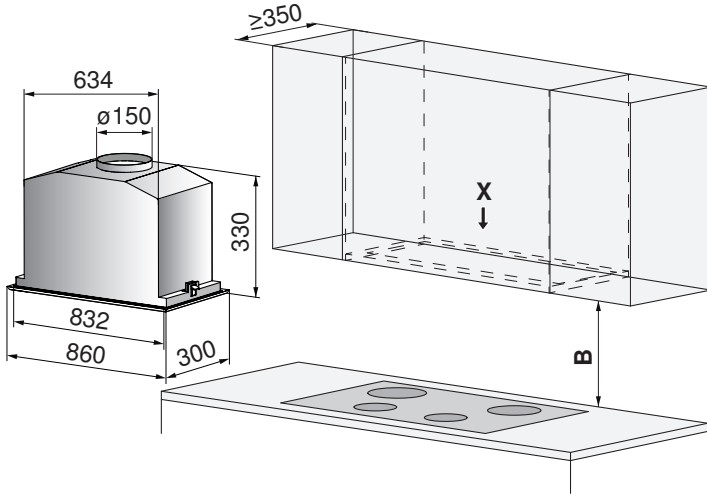


¹ Cut-out measurements



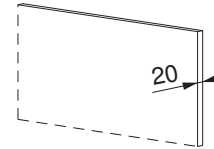
DEHMR8 (61025)

Operating mode	Extraction/recirculation	Mains connection	220–240 V~ 50/60 Hz, 267.2 W
Noise level	56–72 dB(A)	Fuse	10 A
Illumination	2 × 1.1 W	Fan speeds	4
Motor	256 W	Weight	9 kg



² **Use of stone cladding**

20 mm thick wall panels (granite, marble) are possible.

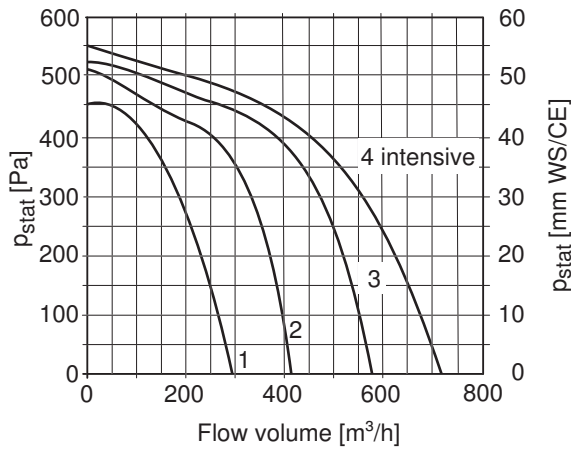


Minimum distance B above hob:

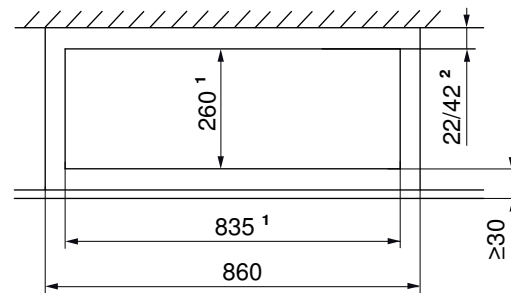
For electric hob: 650 mm

For gas hob: 750 mm

Note on minimum distance (see page 65)



Cut-out for wall unit (view X)

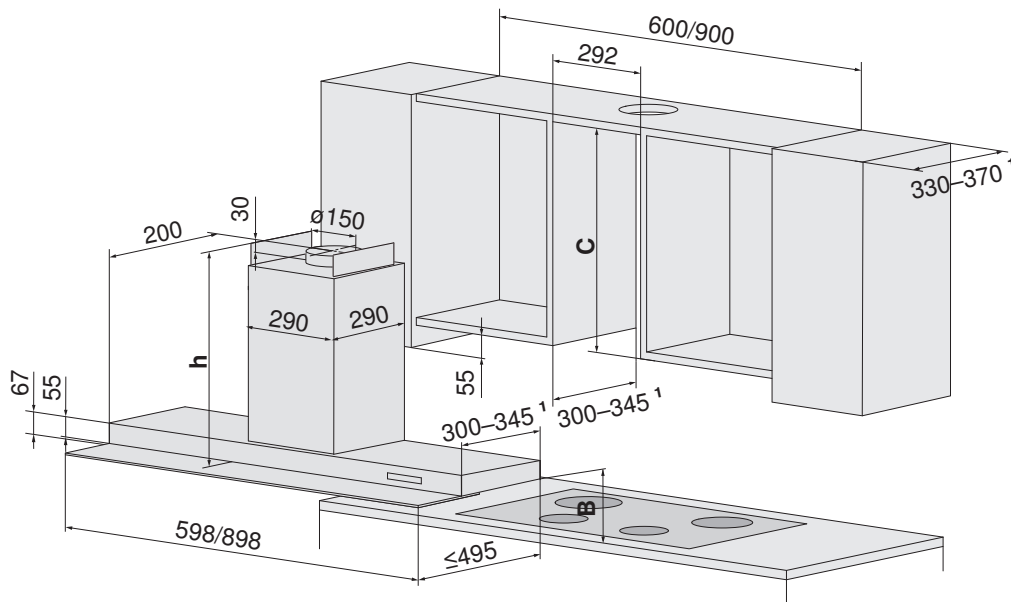


¹ Cut-out measurements

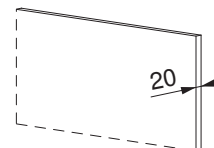


DF-Premira DFPQ6 (61015), DFPQ9 (61014)

Operating mode	Extraction/recirculation	Mains connection	220–240 V~ 50/60 Hz, 134.4 W
Noise level	40–67 dB(A)	Fuse	10 A
Illumination	2 × 2.2 W	Fan speeds	4
Motor	1 × 130 W	Weight	~15.5/19.5/23.5 kg
Options connection (optional)	Max. 300 W		

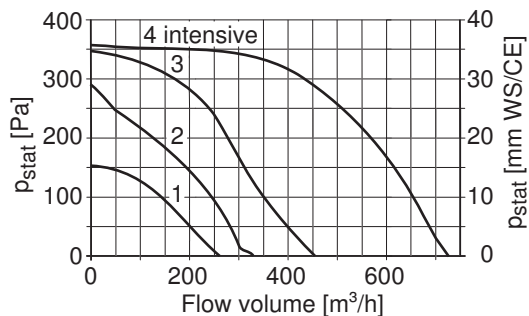


Use of stone cladding
 20 mm thick wall panels (granite, marble) are possible.



h: Extraction/recirculation 2.5 kg: 452 mm, extraction with metal ring: 477 mm, recirculation 5 kg: 600 mm

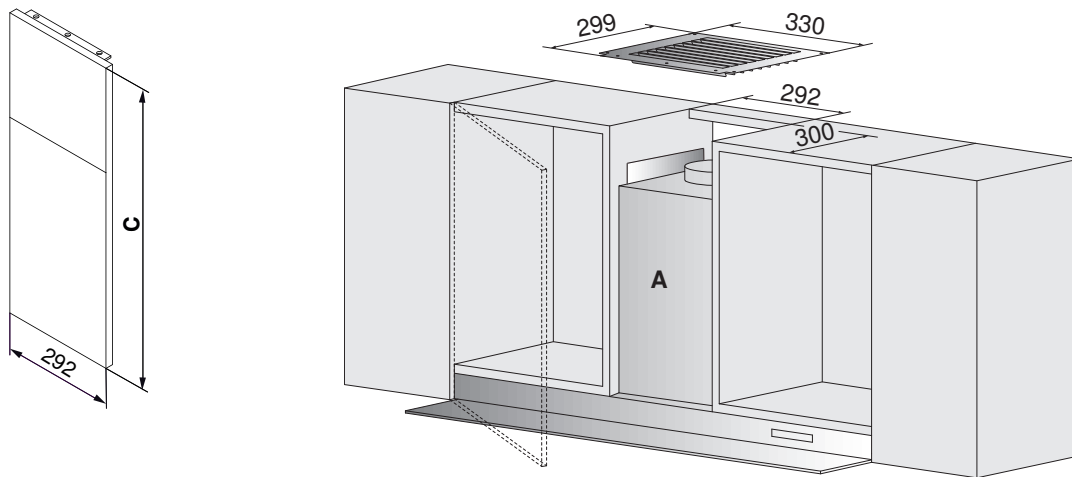
¹ For wall unit depth of 351–370 mm: additional finished profile required



Minimum distance B above hob:
 For electric hob: 500 mm
 For gas hob: 750 mm
 Note on minimum distance (see page 65)

Finished profile included in scope of delivery:				Available as option:			
Type	Width	Wall unit depth	Article no.	Type	Width	Wall unit depth	Article no.
DFPQ6	598 mm	330–350 mm	H42662	DFPQ6	598 mm	351–370 mm	H42801
DFPQ9	898 mm		H42661	DFPQ9	898 mm		H42802

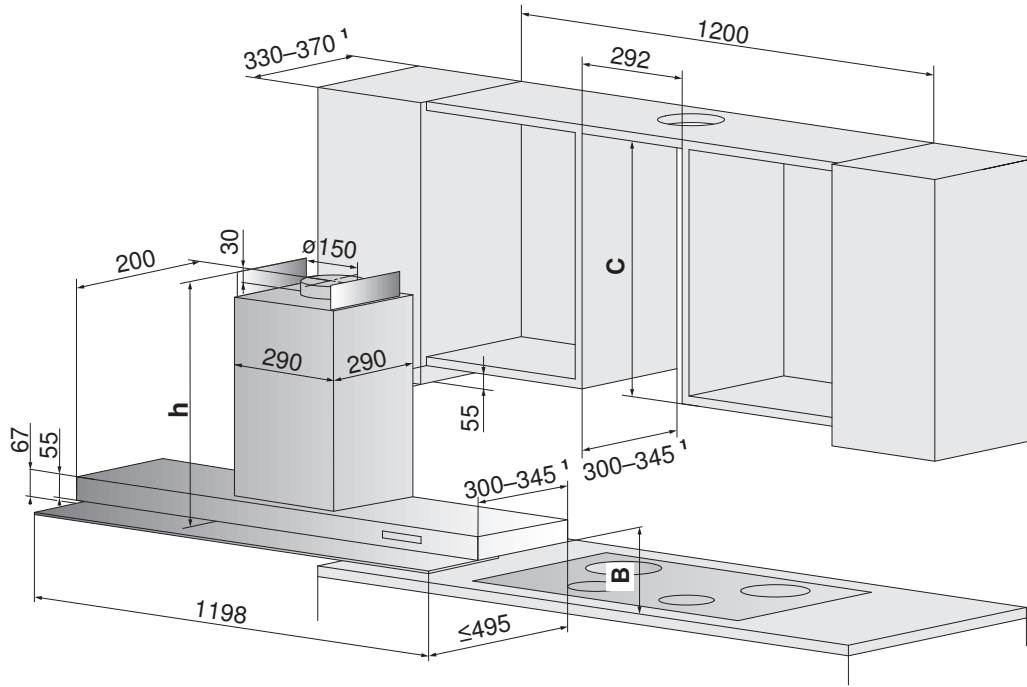
Front cover Available as option				Recirculation air set for wall unit without panel , available as option, can be combined with H42614 and H42615		
Type	Material	Height C	Article no.	Type	Material	Article no.
DFPQ6, DFPQ9	ChromeClass	410–790 mm	H42614	DFPQ6, DFPQ9	ChromeClass	H42630
		791–1150 mm	H42615			



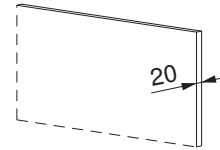
For changing the filter, the front cover **A** must be removable.

DF-Premira DFPQ12 (61013)

Operating mode	Extraction/recirculation	Mains connection	220–240 V~ 50/60 Hz, 136.6 W
Noise level	40–67 dB(A)	Fuse	10 A
Illumination	3 × 2.2 W	Fan speeds	4
Motor	1 × 130 W	Weight	~27.5 kg
Options connection (optional)	Max. 300 W		

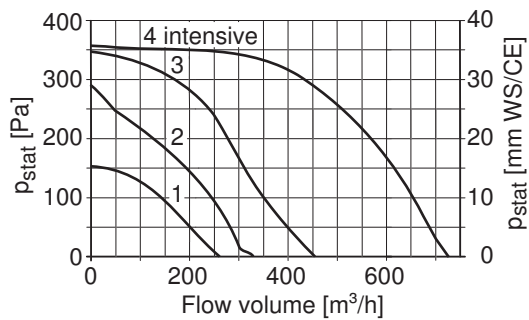


Use of stone cladding
 20 mm thick wall panels
 (granite, marble) are possible.



h: Extraction/recirculation 2.5 kg: 452 mm, extraction with metal ring: 477 mm, recirculation 5 kg: 600 mm

¹ For wall unit depth of 351–370 mm: additional finished profile required



Minimum distance B above hob:

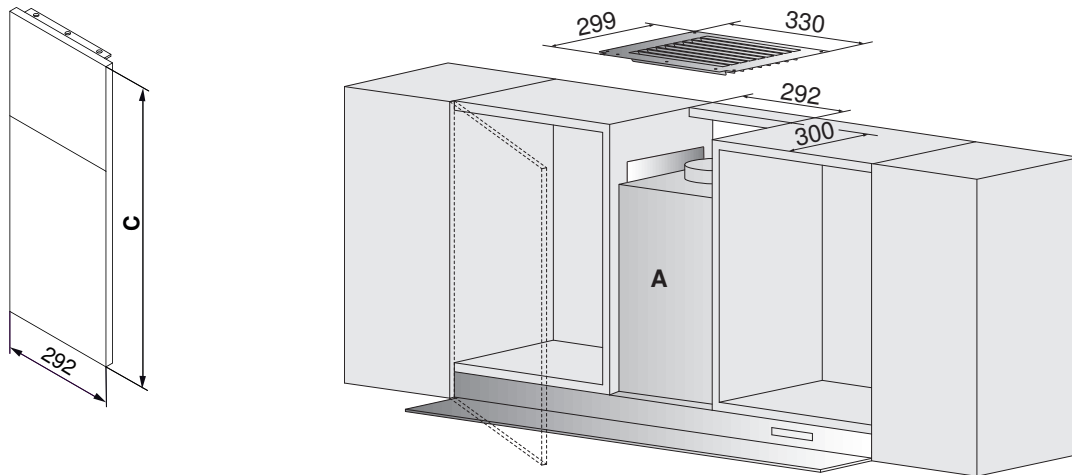
For electric hob: 500 mm

For gas hob: 750 mm

Note on minimum distance (see page 65)

Finished profile included in scope of delivery:				Available as option:			
Type	Width	Wall unit depth	Article no.	Type	Width	Wall unit depth	Article no.
DFPQ12	1198 mm	330–350 mm	H42660	DFPQ12	1198 mm	351–370 mm	H42803

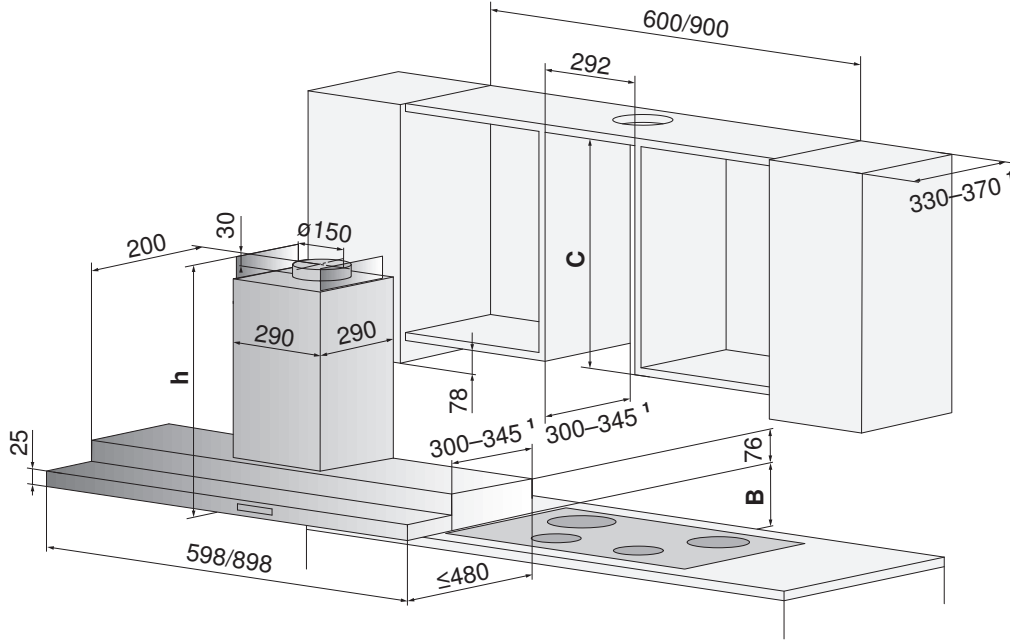
Front cover Available as option				Recirculation air set for wall unit without panel , available as option, can be combined with H42614 and H42615		
Type	Material	Height C	Article no.	Type	Material	Article no.
DFPQ12	ChromeClass	410–790 mm	H42614	DFPQ12	ChromeClass	H42630
		791–1150 mm	H42615			



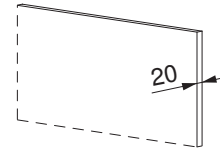
For changing the filter, the front cover **A** must be removable.

DF-Premira SL DFPQSL6 (61008), DFPQSL9 (61007)

Operating mode	Extraction/recirculation	Mains connection	220–240 V~ 50/60 Hz, 134.4 W
Noise level	40–67 dB(A)	Fuse	10 A
Illumination	2 × 2.2 W	Fan speeds	4
Motor	1 × 130 W	Weight	~12.5/16.5 kg
Options connection (optional)	Max. 300 W		

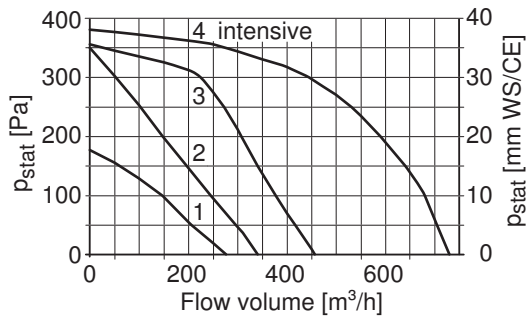


Use of stone cladding
 20 mm thick wall panels (granite, marble) are possible.



h: Extraction/recirculation 2.5 kg: 452 mm, extraction with metal ring: 490 mm, recirculation 5 kg: 600 mm

¹ For wall unit depth of 351–370 mm: additional finished profile required



Minimum distance B above hob:

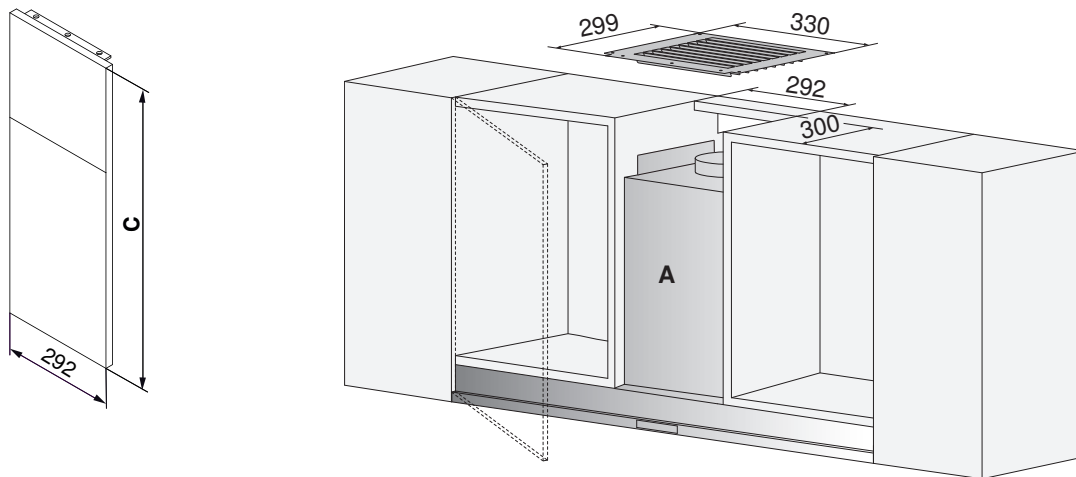
For electric hob: 500 mm

For gas hob: 750 mm

Note on minimum distance (see page 65)

Finished profile included in scope of delivery:			Available as option:			
Type	Width	Wall unit depth	Type	Width	Wall unit depth	Article no.
DFPQSL6	598 mm	330–350 mm	DFPQSL6	598 mm	351–370 mm	H42805
DFPQSL9	898 mm		DFPQSL9	898 mm		H42806

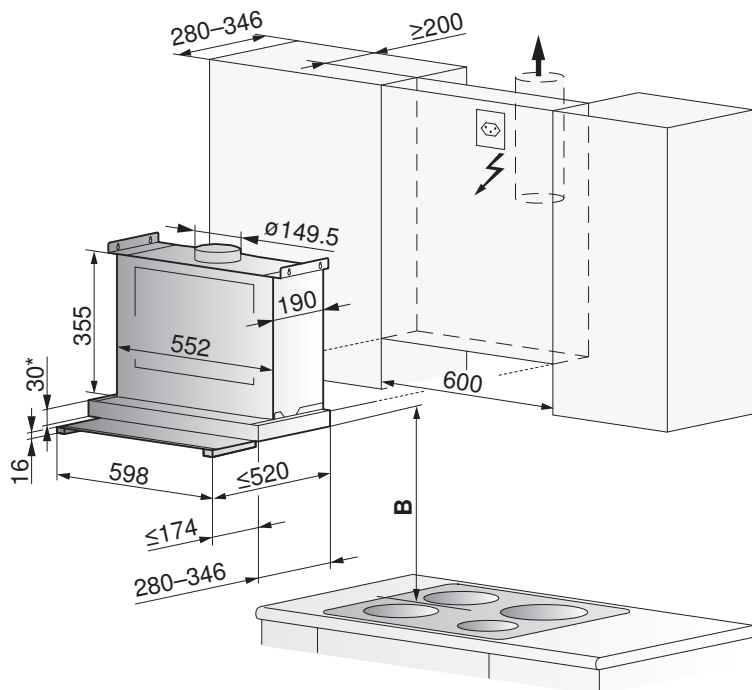
Front cover Available as option				Recirculation air set for wall unit without panel , available as option, can be combined with H42614 and H42615		
Type	Material	Height C	Article no.	Type	Material	Article no.
DFPQSL6/9	ChromeClass	410–790 mm	H42614	DFPQSL6/9	ChromeClass	H42630
		791–1150 mm	H42615			



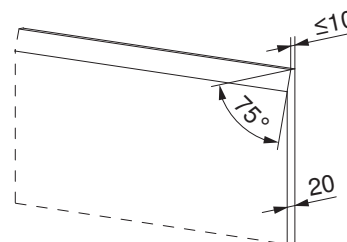
For changing the filter, the front cover **A** must be removable.

DFSG6 (61031) flat pull-out deflector plate

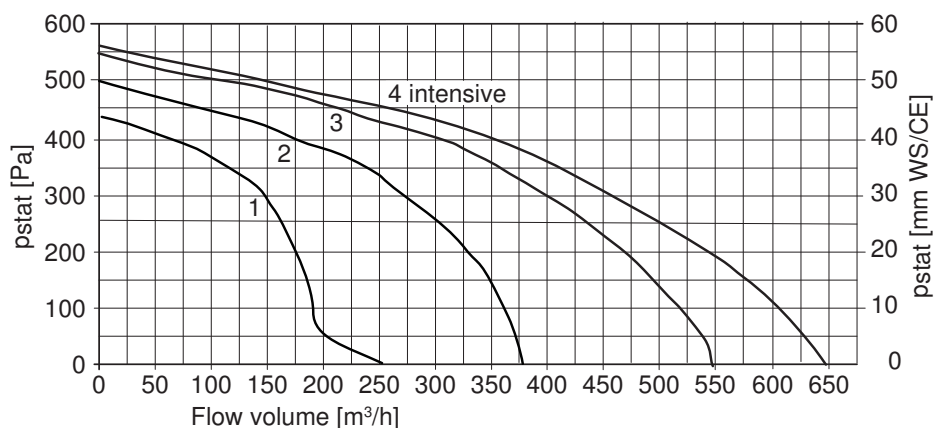
Operating mode	Extraction/recirculation	Mains connection	220–240 V~ 50/60 Hz, 207 W
Noise level	46–66 dB(A)	Fuse	10 A
Illumination	1 × 7 W, 230 V~	Fan speeds	4
Motor	1 × 200 W	Weight	~16.5 kg



Use of stone cladding 20 mm thick wall panels (granite, marble) with a chamfer are possible.



* If the range hood is built in on a level with the bottom of the unit, another 2 mm must be planned in due to the upper hood cover.



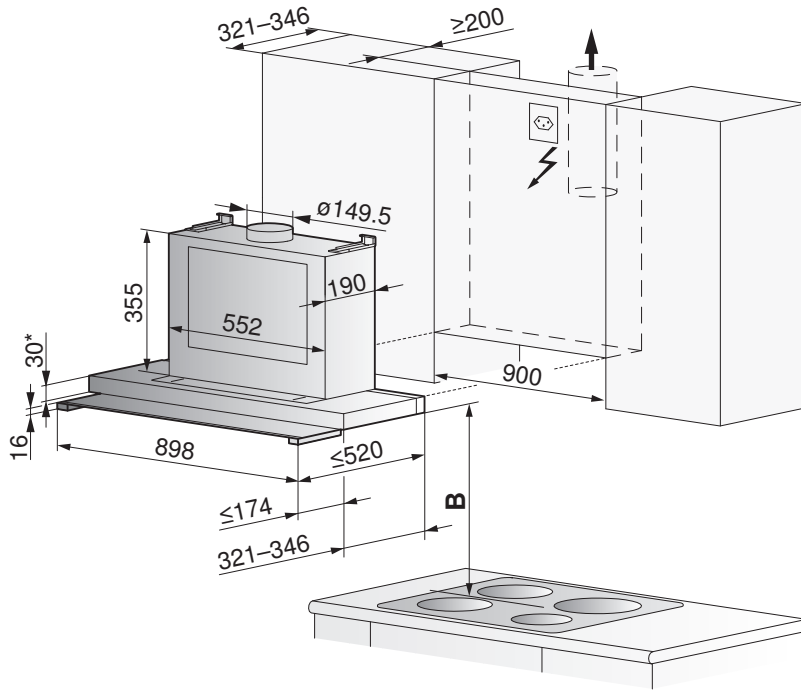
Minimum distance B above hob:
 For electric hob: 430 mm
 For gas hob: 750 mm
 Note on minimum distance (see page 65)

Finished profile included in scope of delivery:		Available as option:		
Type	Profile section	Width	Wall unit depth	Article no. ChromeClass
DFSG6	Wide	596 mm	321–346 mm	H42281
	Narrow		280–295 mm	H42225
	Medium		290–315 mm	H42226

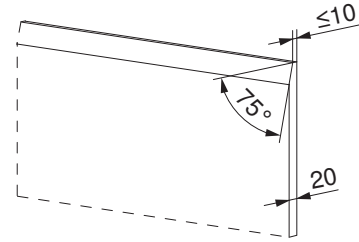


DFSG9 (61033) flat pull-out deflector plate

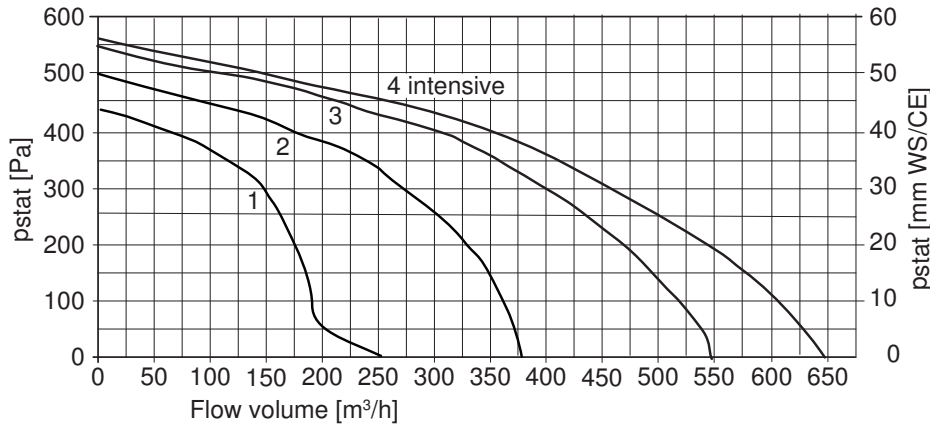
Operating mode	Extraction/recirculation	Mains connection	220–240 V~ 50/60 Hz, 207 W
Noise level	46–66 dB(A)	Fuse	10 A
Illumination	1 × 7 W, 230 V~	Fan speeds	4
Motor	1 × 200 W	Weight	~19 kg



Use of stone cladding 20 mm thick wall panels (granite, marble) with a chamfer are possible.



* If the range hood is built in on a level with the bottom of the unit, another 2 mm must be planned in due to the upper hood cover.



Minimum distance B above hob:
 For electric hob: 430 mm
 For gas hob: 750 mm
 Note on minimum distance (see page 65)

Finished profile included in scope of delivery:				
Type	Profile section	Width	Wall unit depth	Article no. ChromeClass
DFSG9	Wide	896 mm	321–346 mm	H42294

12 Dishwashers

Dishwashers with heat pump (see page 116)

12.1 General notes

Efficient repairs can only be guaranteed if it is possible to uninstall the whole appliance at any time without causing any damage.

At any time it must be possible to pull the appliance out of the niche horizontally without dismantling any part of the cabinet.

For work surfaces that are susceptible to moisture, use work surface protection W70163.

General operating conditions

Ambient temperature: from min. 10 °C to max. 35 °C

The appliances are designed for use up to a max. altitude of 2000 m above sea level. .

12.2 Electrical connection data / plumbing in



Designation		Connection from floor (plinth height 105 mm)	Connection in niche (from centre to connection)	Type of connection
A	Electrical connection	600 mm	K = 160 mm	Flush power socket 230 V
B	Cold water	600 mm	N = 170 mm	G $\frac{3}{4}$ "
C	Hot water *	600 mm	M = 70 mm	G $\frac{3}{4}$ "
D	Drain, outlet	400 mm	L = 110 mm	ø56 mm
G1	Dishwasher in base unit	Connection in adjacent compartment left and right		
G2	Dishwasher in tall unit	Connection in max. 2 compartments left and right		

* Water connection at >60 °C is not recommended

Electrical connection data

Appliance	Country group *	Mains connection	Rated load	Fuse	Mains cable
Adora SL (41048, 41059–41061, 41085, 41086)	A, E	230 V~ 50 Hz	3200 W	16 A	1.5 m, with plug
	B, C		2200 W	10 A	
	D	220–240 V~ 50 Hz	2200 W	16 A	
	F		3200 W		
Adora S (41050, 41066, 41079, 41080)	A, B, C, D, E, F	230 V~ 50 Hz	2200 W	10 A	
Adora N (41052, 41063, 41075, 41077)					

* Key (see page 2)

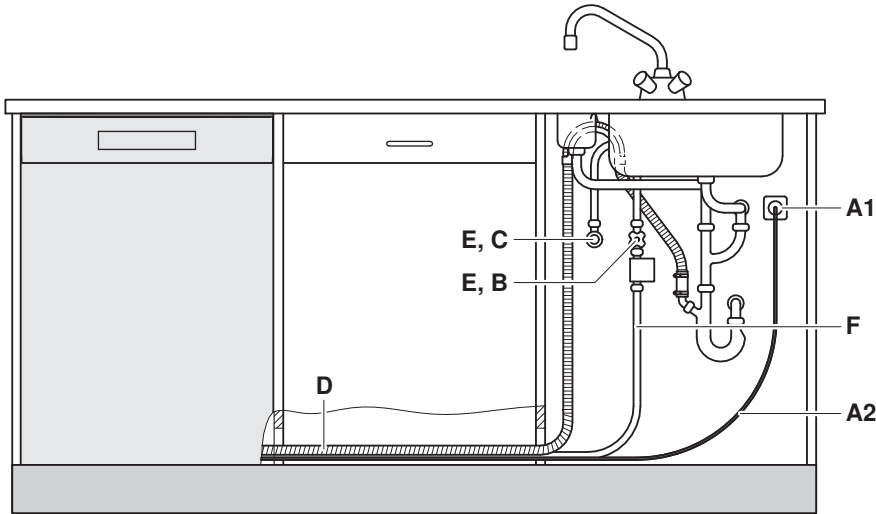
Plumbing-in data



For special cases with water hardness in excess of 50 °fH, an external water softener is recommended.

Value		Nominal value	Minimum	Maximum
Mains pressure (0.1 MPa = 1 bar)	Static	0.3–0.4 MPa	0.1 MPa	1.0 MPa
	Flowing	–	0.08 MPa	1.0 MPa
Water hardness		–	0.5 °fH	50 °fH
Water inlet temperature		–	5 °C	60 °C

Connection example



Designation		Adora dishwasher
A1	Power socket	Yes
A2	Connection cable	Length 1.50 m
B	Cold water connection	Yes
C	Hot water connection	Yes
D	Drain hose	Length 1.55 m / internal diameter = 22 mm
E	Shut-off devices	Yes
F	Aquastop / water inlet with filter, G ³ / ₄ "	Length 1.55 m



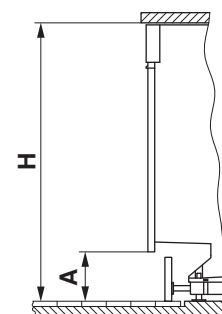
12.3 Installation overview

Depending on niche height **H**, either standard or extra height appliances or only one of the two can be installed.

Niche height **H** in mm

	790	800	810	820	830	840	851	860	870	880	890	900	910	920	930	940	950	960
250												S						G
240											S	S					G	G
230										S	S	S				G	G	G
220									S	S	S	S			G	G	G	G
210								S	S	S	S	S		G	G	G	G	G
200							S	S	S	S	S	S	G	G	G	G	G	G
190						S	S	S	S	S	S	S/G	G	G	G	G	G	G
180					S	S	S	S	S	S	S	S/G	G	G	G	G	G	G
170				S	S	S	S	S	S	S/G	S/G	S/G	G	G	G	G	G	G
160			S	S	S	S	S	S	S/G	S/G	S/G	S/G	G	G	G	G	G	G
150		S	S	S	S	S	S	S/G	S/G	S/G	S/G	S/G	G	G	G	G	G	G
140	S	S	S	S	S	S	S/G	S/G	S/G	S/G	S/G	S/G	G	G	G	G	G	G
130	S	S	S	S	S	S	S/G	S/G	S/G	S/G	S/G	G	G	G	G	G	G	
120	S	S	S	S	S	S	S/G	S/G	S/G	S/G	G	G	G	G	G	G		
110	S	S	S	S	S	S	S/G	S/G	S/G	G	G	G	G	G	G			
107	S	S	S	S	S	S	S/G	S/G	S/G	G	G	G	G	G				
100	S	S	S	S	S	S	S/G	S/G	G	G	G	G	G	G				
90	S	S	S	S	S	S	S/G	G	G	G	G	G	G					
80	S	S	S	S	S	S	G	G	G	G	G	G						
70	S	S	S	S	S		G	G	G	G	G							
60	S	S	S	S			G	G	G	G								
50	S	S	S				G	G	G									
40	S	S					G	G										
30	S						G											
23							G											

- S Standard
- G Extra height
- S/G Standard and extra height

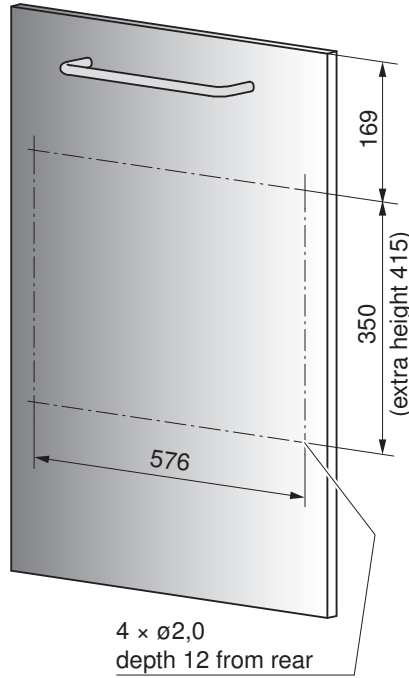


12.4 Drilling plans for decor panel 60 cm

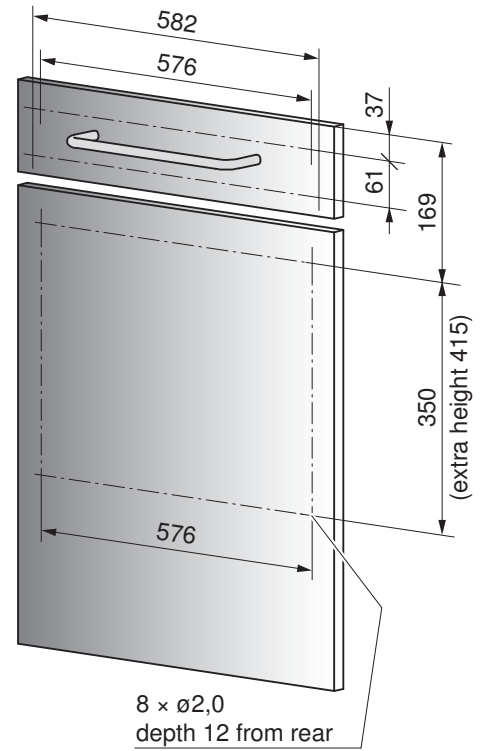
Integrated



Fully integrated



Two-part



For particularly heavy decor panels, use door hinge brake art. no. 1011228.

12.5 Adora SL, S, N with niche width 60 cm



It must be ensured air gap remains in the shadow gap.



Screws and fasteners must be countersunk in the niche. There should be no protruding parts, screw heads, brackets, etc., otherwise parts of the appliance could become damaged (risk of water damage).

The permissible weights of the front panel / decor system **1** depend on the design variant:

Decor system	Integrated Nero, white	Integrated ChromeClass	Design integrated Black glass	Fully integrated
Maximum weight	8 kg	7 kg	6.5 kg	7 kg
Minimum weight	5.5 kg	4.5 kg	4 kg	5 kg

- Front panel / decor system (wood) **1** fully integrated must be cut to the necessary dimensions.

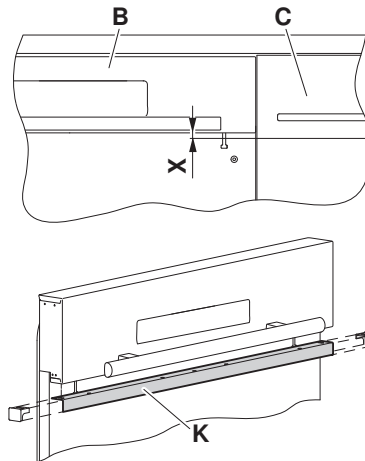
For stronger springs, see Accessories (see page 129)

For particularly heavy decor panels, use door hinge brake art. no. 1011228.

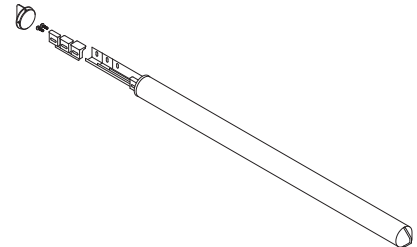
Compensator for ChromeClass and black glass

Compensator set: See Accessories Dishwashers (see page 142)

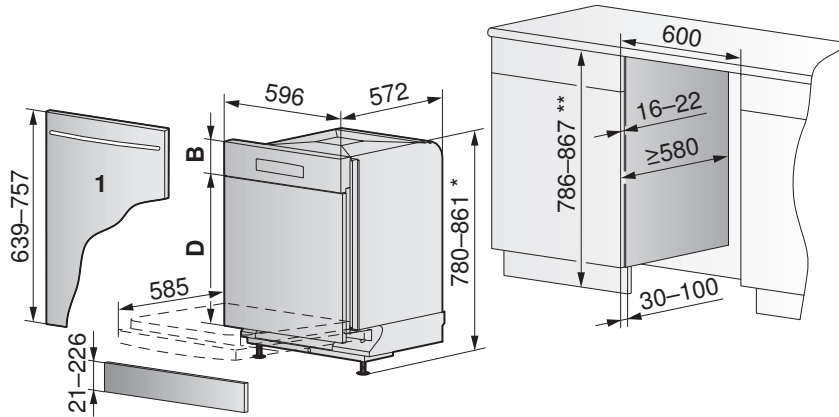
If the bottom edge of the operating panel **B** is not at the same height **X** as the bottom edge of the adjacent kitchen drawer **C**, a levelling piece (compensator **K**) must be mounted (see Installation instructions J18251).



Compensators contained in the set:
 8 mm, 12 mm, 16 mm



Base unit «standard»

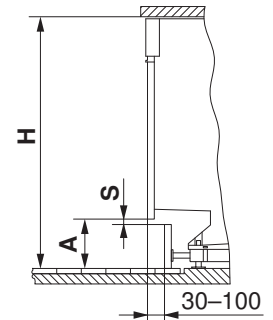


* From 861 up to max. 896 with a second runner only, can be ordered under W82930

** From 867 up to max. 902 with a second runner only, can be ordered under W82930

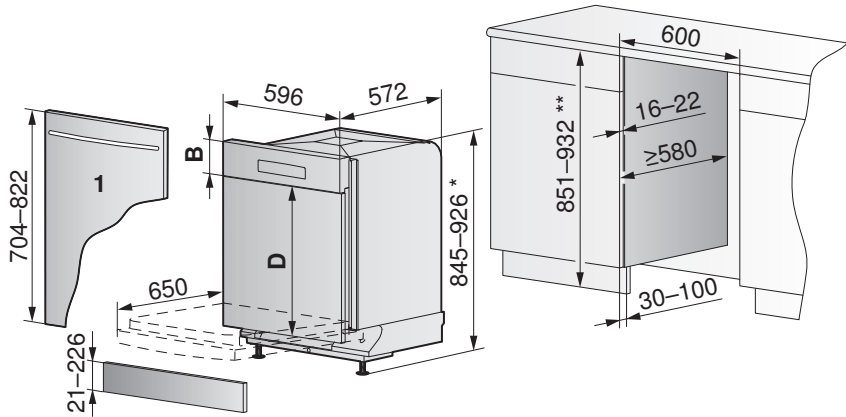
«Standard»	Nero, white	ChromeClass	Black glass
Operating panel B incl. compensator	124–146 mm	124–140 mm	124–140 mm
Decor panel D	490–632 mm	496–632 mm	496–632 mm

Dimension A in mm	Niche height H in mm												Min. S in mm
	790	800	810	820	830	840	850	860	870	880	890	900	
Min.	27	37	47	57	67	77	87	97	107	117	127	137	2
	37	47	57	67	77	87	97	107	117	127	137	147	2
	47	57	67	77	87	97	107	117	127	137	147	157	2
	57	67	77	87	97	107	117	127	137	147	157	167	2
	67	77	87	97	107	117	127	137	147	157	167	177	2
	77	87	97	107	117	127	137	147	157	167	177	187	2
	87	97	107	117	127	137	147	157	167	177	187	197	2
	97	107	117	127	137	147	157	167	177	187	197	207	2
	107	117	127	137	147	157	167	177	187	197	207	217	5
	117	127	137	147	157	167	177	187	197	207	217	227	10
	127	137	147	157	167	177	187	197	207	217	227	237	15
	137	147	155	167	177	187	197	207	217	227	237	247	23
Max.	145	155	165	175	185	195	205	215	225	235	245	255	30





Base unit «extra height»

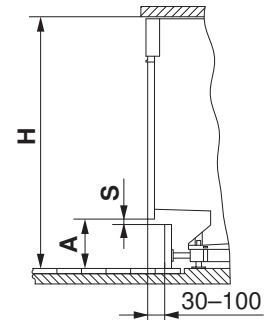


* From 926 up to max. 961 with a second runner only, can be ordered under W82930

** From 932 up to max. 967 with a second runner only, can be ordered under W82930

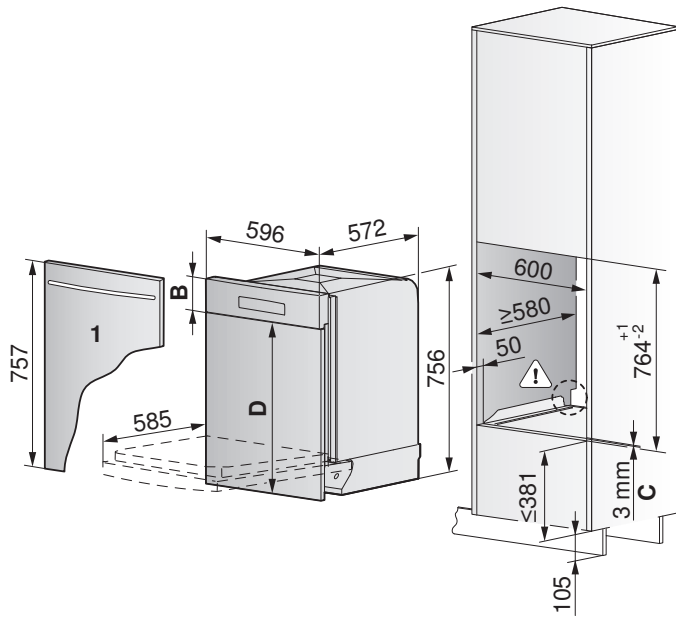
«Extra height»	Nero, white	ChromeClass	Black glass
Operating panel B incl. compensator	124–146 mm	124–140 mm	124–140 mm
Decor panel D	555–697 mm	561–697 mm	561–697 mm

Dimension A in mm	Niche height H in mm												Min. S in mm
	851	860	870	880	890	900	910	920	930	940	950	960	
Min.	23	32	42	52	62	72	82	92	102	112	122	132	2
	33	42	52	62	72	82	92	102	112	122	132	142	2
	43	52	62	72	82	92	102	112	122	132	142	152	2
	53	62	72	82	92	102	112	122	132	142	152	162	2
	63	72	82	92	102	112	122	132	142	152	162	172	2
	73	82	92	102	112	122	132	142	152	162	172	182	2
	83	92	102	112	122	132	142	152	162	172	182	192	2
	93	102	112	122	132	142	152	162	172	182	192	202	2
	103	112	122	132	142	152	162	172	182	192	202	212	5
	113	122	132	142	152	162	172	182	192	202	212	222	10
	123	132	142	152	162	172	182	192	202	212	222	232	15
	133	142	152	162	172	182	192	202	212	222	232	242	23
Max.	141	150	160	170	180	190	200	210	220	230	240	250	30

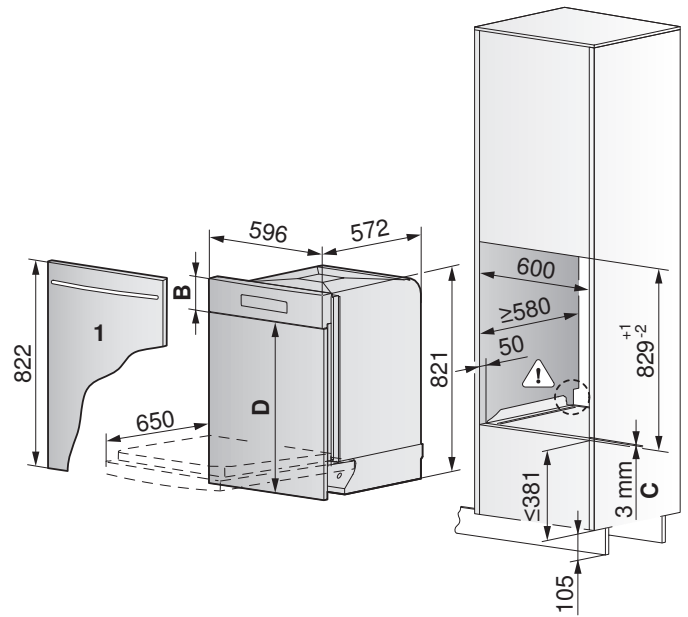


Tall unit «standard»

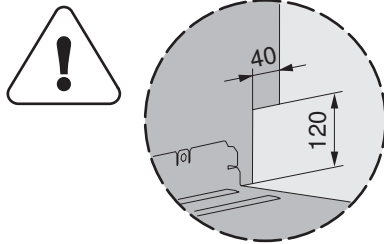
Can also be installed in base unit on base element



Tall unit «extra height»



C Slide plate



«Standard»	Nero, white	ChromeClass	Black glass
Operating panel B incl. compensator	124–146 mm	124–140 mm	124–140 mm
Decor panel D	610–632 mm	616–632 mm	616–632 mm

«Extra height»	Nero, white	ChromeClass	Black glass
Operating panel B incl. compensator	124–146 mm	124–140 mm	124–140 mm
Decor panel D	675–697 mm	681–697 mm	681–697 mm

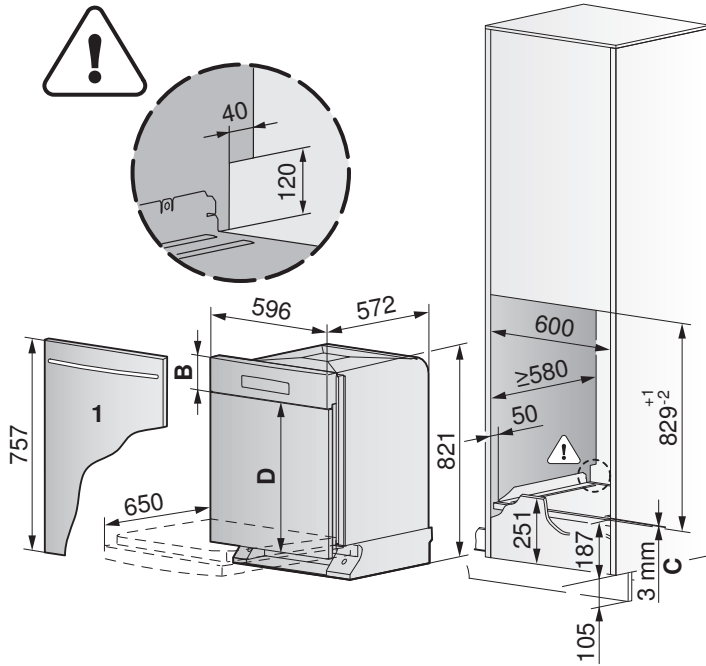


Slide plate conversion set for tall unit must be ordered from V-ZUG, see Accessories (see page 142).

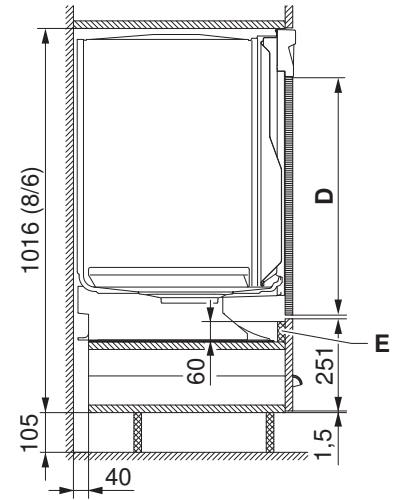
Tall unit «extra height» with decor panel and drawer 251 mm



Slide plate conversion set for tall unit must be ordered from V-ZUG, see Accessories (see page 142).



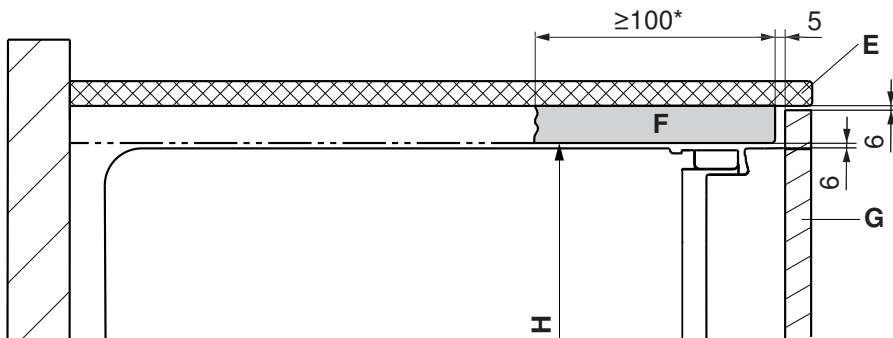
Cross-section of installation variant



- C Slide plate
- E Removable cover strip

«Extra height»	Nero, white	ChromeClass	Black glass
Operating panel B incl. compensator	124–146 mm	124–140 mm	124–140 mm
Decor panel D	610–632 mm	616–632 mm	616–632 mm

Installing extra-long decor panel



- * A continuous soffit vent is recommended.
- E Worktop
- F Continuous soffit vent
- G Decor panel
- H Niche height



13 Dishwashers with heat pump

13.1 General notes



Efficient repairs can only be guaranteed if it is possible to uninstall the whole appliance at any time without causing any damage.



At any time it must be possible to pull the appliance out of the niche horizontally without dismantling any part of the cabinet.



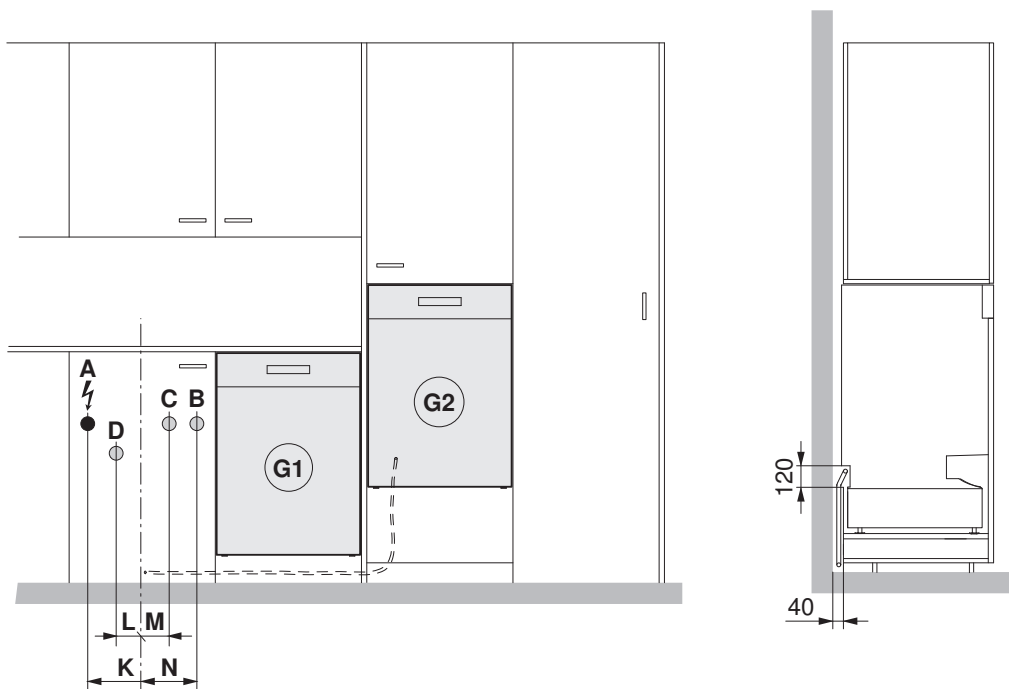
For work surfaces that are susceptible to moisture, use work surface protection W70163.

General operating conditions

Ambient temperature: from min. 10 °C to max. 35 °C

The appliances are designed for use up to a max. altitude of 2000 m above sea level. .

13.2 Electrical connection data / plumbing in



Description		Connection from floor (plinth height 105 mm)	Connection in niche (from centre to connection)	Type of connection
A	Electrical connection	600 mm	K = 160 mm	Flush power socket 230 V
B	Cold water	600 mm	N = 170 mm	G ³ / ₄ "
C	Hot water *	600 mm	M = 70 mm	G ³ / ₄ "
D	Drain, outlet	400 mm	L = 110 mm	ø56 mm
G1	Dishwasher in base unit	Connection in adjacent compartment left and right		
G2	Dishwasher in tall unit	Connection in max. 2 compartments left and right		

* Water connection at >60 °C is not recommended

Electrical connection data

Appliance	Country group *	Mains connection	Rated load	Fuse	Mains cable
Adora SL WP (41046, 41082)	A, E	230 V~ 50 Hz	3200 W	16 A	1.5 m, with plug
	B		2200 W	10 A	
	D	220–240 V~ 50 Hz	2200 W	16 A	
	F		3200 W		

* Key (see page 2)

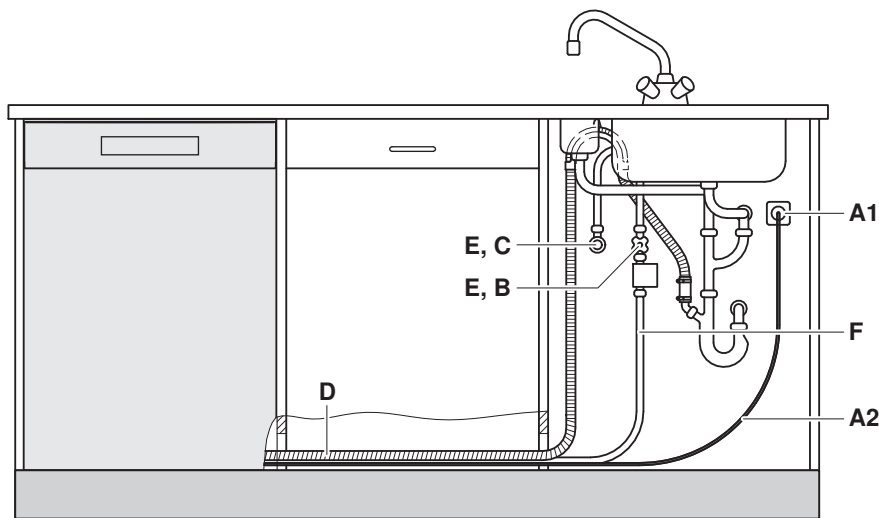
Plumbing-in data



For special cases with water hardness in excess of 50 °fH, an external water softener is recommended.

Value		Nominal value	Minimum	Maximum
Mains pressure (0.1 MPa = 1 bar)	Static	0.3–0.4 MPa	0.1 MPa	1.0 MPa
	Flowing	–	0.08 MPa	1.0 MPa
Water hardness		–	0.5 °fH	50 °fH
Water inlet temperature		–	5 °C	60 °C

Connection example



Designation		Adora dishwasher
A1	Power socket	Yes
A2	Connection cable	Length 1.50 m
B	Cold water connection	Yes
C	Hot water connection	Yes
D	Drain hose	Length 1.55 m / internal diameter = 22 mm
E	Shut-off devices	Yes, 3/4"
F	Aquastop / water inlet with filter, G3/4"	Length 1.55 m

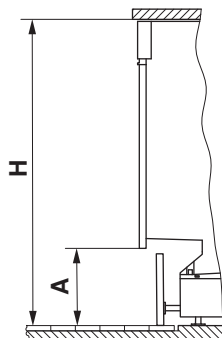
See Accessories (see page 142) for special connection lengths.

13.3 Installation summary



Keep base compartment unobstructed, appliance stands on the floor.

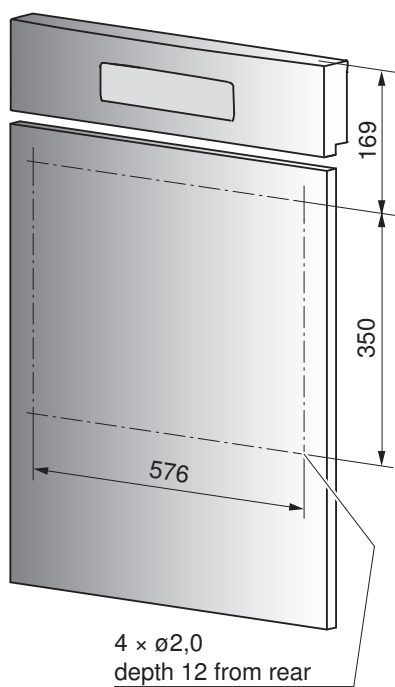
		Niche height H in mm				
		870	880	890	900	910
Dimension A in mm	200					S
	190				S	S
	180			S	S	S
	170		S	S	S	S
	160	S	S	S	S	S
	150	S	S	S	S	S
	140	S	S	S	S	
	130	S	S	S		
	120	S	S			
	110	S				
	105	S				



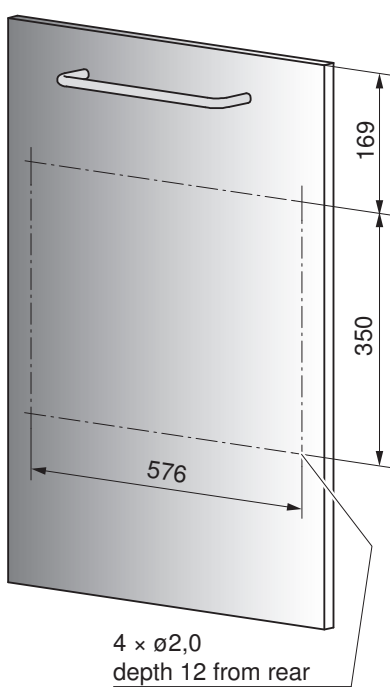
S Standard without cabinet plinth

13.4 Drilling plans for decor panel 60 cm

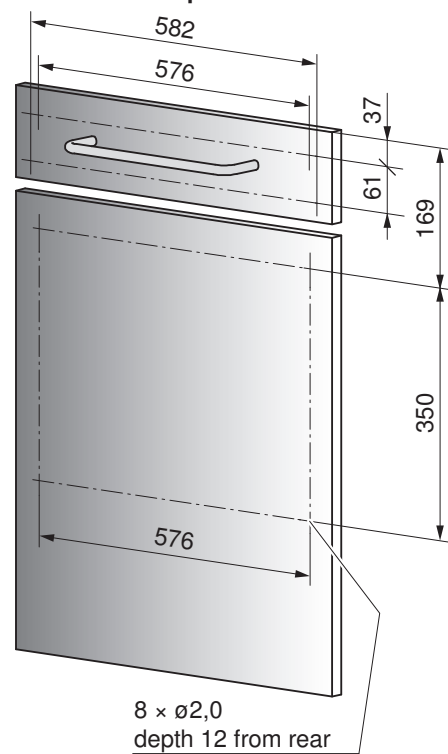
Integrated



Fully integrated



Two-part



For particularly heavy decor panels, use door hinge brake art. no. 1011228.

13.5 Adora SL WP with niche width 60 cm



It must be ensured air gap remains in the shadow gap.



Screws and fasteners must be countersunk in the niche. There should be no protruding parts, screw heads, brackets, etc., otherwise parts of the appliance could become damaged (risk of water damage).



It must be possible to pull the appliance out of the niche horizontally at any time without dismantling any part of the cabinet.

The permissible weights of the front panel / decor system **1** depend on the design variant:

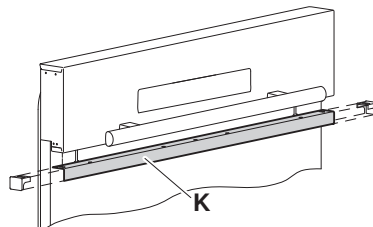
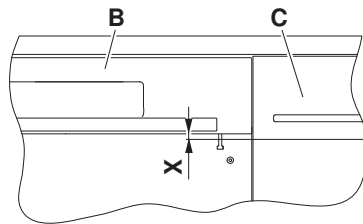
Decor system	Integrated Nero, white	Integrated ChromeClass	Design integrated Black glass	Fully integrated
Maximum weight	8 kg	7 kg	6.5 kg	7 kg
Minimum weight	5.5 kg	4.5 kg	4 kg	5 kg

- Front panel / decor system (wood) **1** fully integrated must be cut to the necessary dimensions.

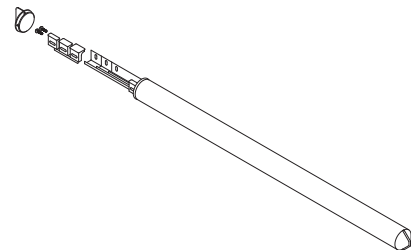
Compensator for ChromeClass and black glass

Compensator set: See Accessories Dishwashers (see page 142)

If the bottom edge of the operating panel **B** is not at the same height **X** as the bottom edge of the adjacent kitchen drawer **C**, a levelling piece (compensator **K**) must be mounted (see Installation instructions J18251).



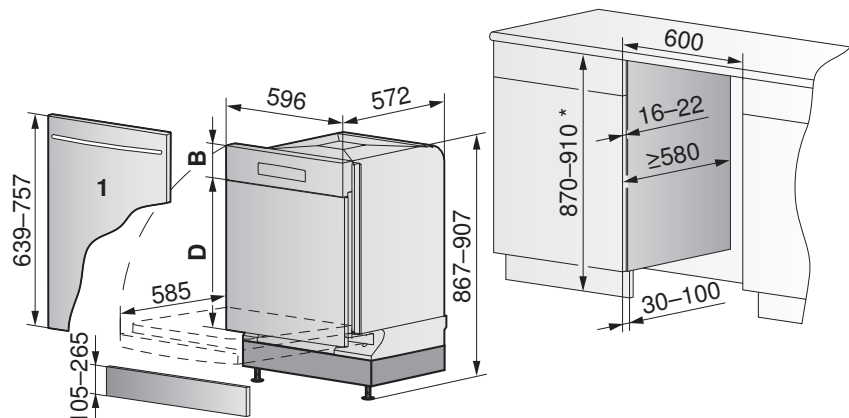
Compensators contained in the set:
 8 mm, 12 mm, 16 mm



For stronger springs, see Accessories (see page 129)

For particularly heavy decor panels, use door hinge brake art. no. 1011228.

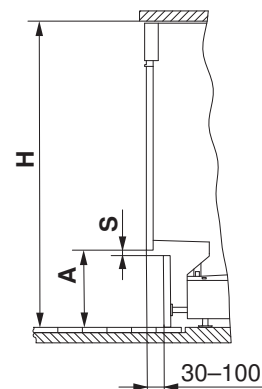
Base element



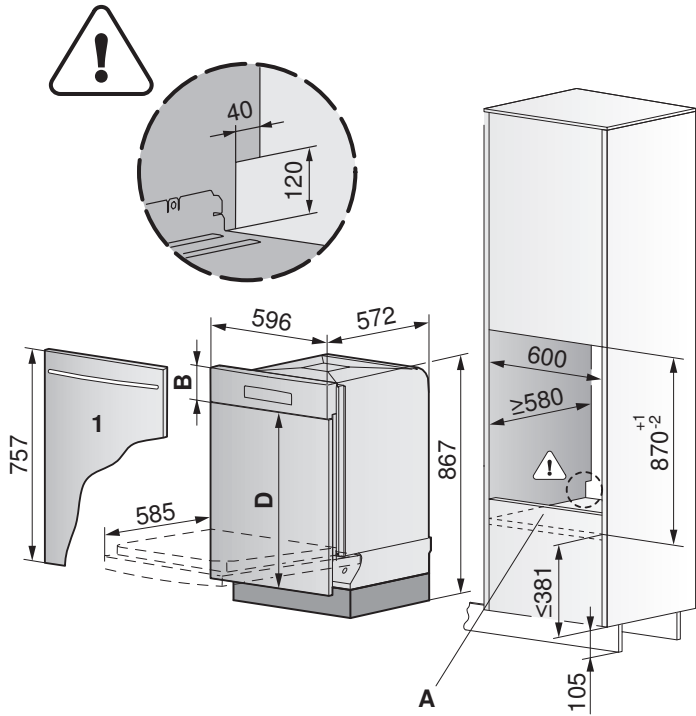
* If the niche height is greater than 910 mm, a plate must be placed underneath the appliance or an extra-long decor panel must be used.

Base element	Black glass	Fully integrated
Operating panel B incl. compensator	124–140 mm	-
Decor panel D	496–632 mm	639–757

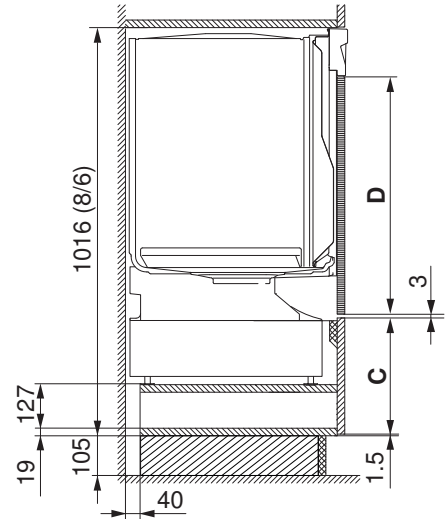
Dimension A in mm	Niche height H in mm					Min. S in mm
	870	880	890	900	910	
Min.	107	117	127	137	147	2
	117	127	137	147	157	2
	127	137	147	157	167	2
	137	147	157	167	177	2
	147	157	167	177	187	2
	157	167	177	187	197	2
	167	177	187	197	207	2
	177	187	197	207	217	2
	187	197	207	217	227	5
	197	207	217	227	237	10
	207	217	227	237	247	15
	217	227	237	247	257	23
Max.	225	235	245	255	265	30



Tall unit

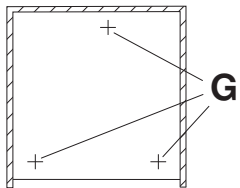


Cross-section of installation example



C Removable lower front panel (251)

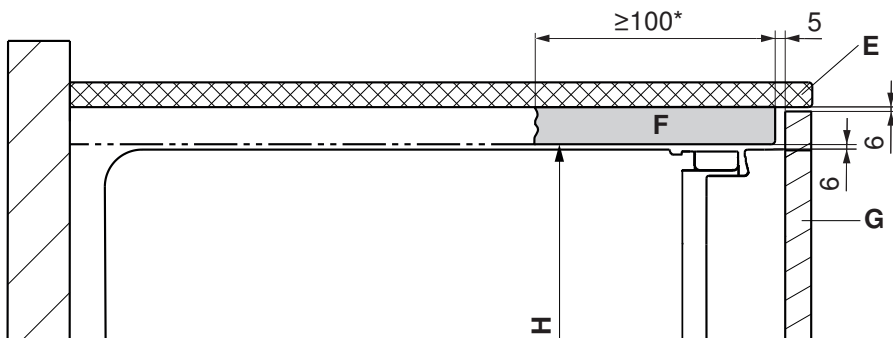
Niche floor A



- Load-bearing capacity of niche floor A: 100 kg
- Given a load of 75 kg per appliance foot G, the niche floor may sag by a max. of 1 mm.

Tall unit	Black glass
Operating panel B incl. compensator	124–140 mm
Decor panel D	616–632 mm

Installing extra-long decor panel



* A continuous soffit vent is recommended.

- E Worktop
- F Continuous soffit vent
- G Decor panel
- H Niche height

14 Refrigerators

14.1 General notes



Insufficient ventilation can cause a malfunction and shorten the life of the appliance.

Heavy door panel weights shorten the service life of the door hinges. Observe maximum permissible weight.

Efficient repairs can only be guaranteed if it is possible to uninstall the whole appliance at any time without causing any damage.

In an open-plan kitchen and living room, higher noise emissions can be expected if the ventilation slits face into the room.

14.2 Electrical connection data

Appliance	Climate class	Mains connection	Fuse	Mains cable
Refrigerators				
Cooltronic	SN-ST	220–240 V~ 50 Hz	10 A	2.2 m, with plug
Noblesse	SN			
Prestige P eco	SN-T			
De Luxe eco				
Futura eco				
De Luxe	SN-ST			
Royal				
Prestige				
Prestige T	SN-T			
Komfort 60i	N-T			2.5 m, with plug
Winecoolers				
Winecooler SL, Winecooler 90 SL	SN-ST	230 V~ 50 Hz	10 A	2.2 m, with plug

14.3 Ambient conditions



Condensate may form in the appliance in tropical conditions and this has to be taken into account in the planning.

Climate class	Minimum	Maximum
SN	+10 °C	+32 °C
N	+16 °C	+32 °C
ST	+16 °C	+38 °C
T	+16 °C	+43 °C

14.4 Niche ventilation

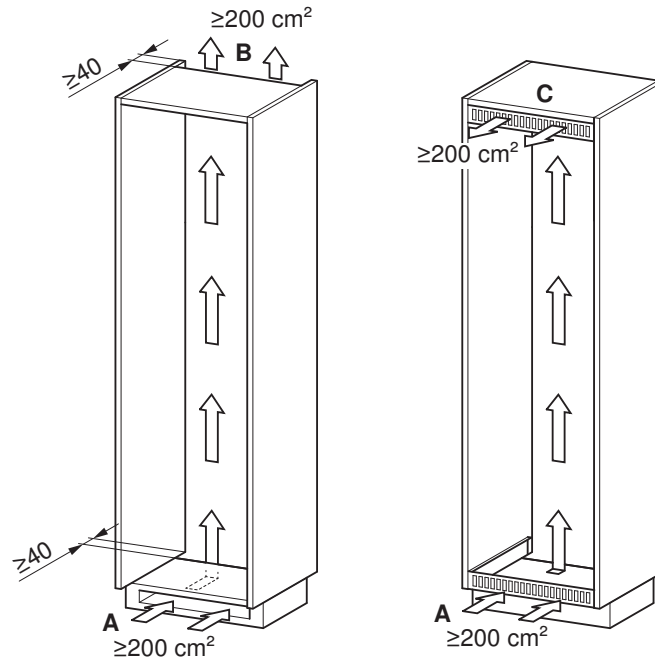
Ventilation

The ventilation cross-sections in the unit base, behind the tall unit and below the ceiling must provide **unobstructed passage of at least 200 cm²**, enabling the heated air to escape unhindered.



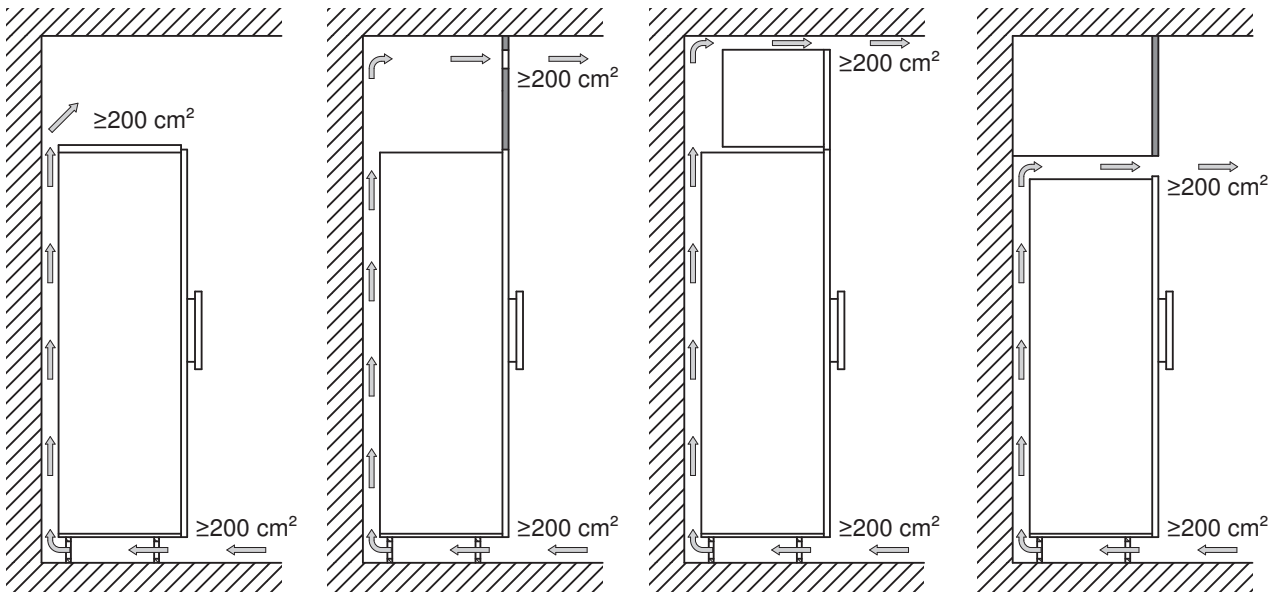
Smaller cross-sections are permitted for refrigerators with auxiliary ventilation fans.

The air enters **A** at the base and exits **B** at the top, either out the back of the cabinet unit or through a ventilation grille directly above the refrigerator **C**.



Vent openings at the top (air outlet)

There are various options for the top vent opening.





For optimal ventilation, an air duct whose width is no greater than the width of the unit and whose height at the air inlet and outlet is **at least 40 mm** is recommended **D**.

If a smaller ventilation gap is preferred for design reasons, the ventilation cross-section at the top may be reduced, making ventilation across several unit widths necessary. The ventilation at the top must run over another unit – either left **E** or on both sides **F** of the unit housing the refrigerator. The ventilation (air inlet) beneath the refrigerator may not be changed.

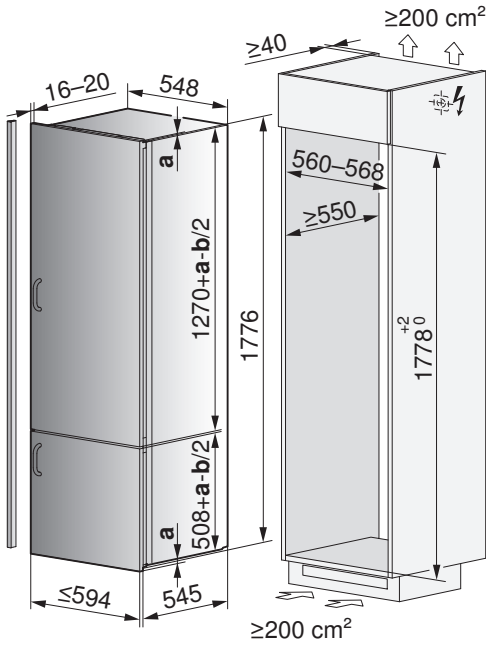
In summary, taking dimension **x** (distance from the tall unit to the rear wall) into account, the following gap heights **y** are possible:

		b (mm)	y (mm)	x (mm)	
D		550–568	≥40	≥50	
E		1100–1168	≥30	≥100	
F		≥1650	≥20		

14.5 Refrigerators

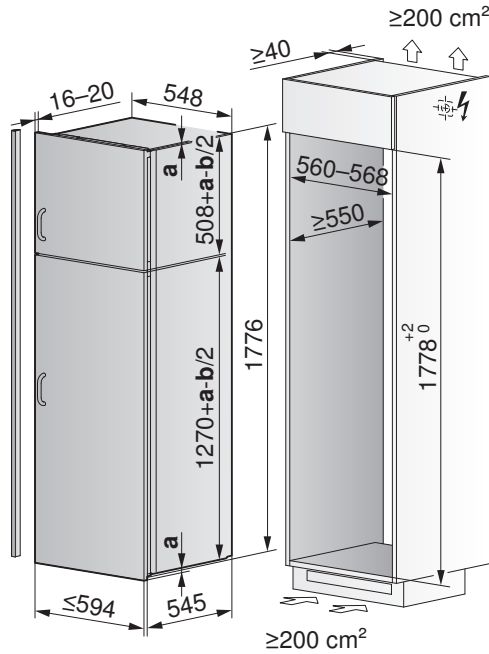
Cooltronic (51047)

KCir (integrable in niche height 1778 mm)
 Maximum permissible weight of door panel: 17.5 kg



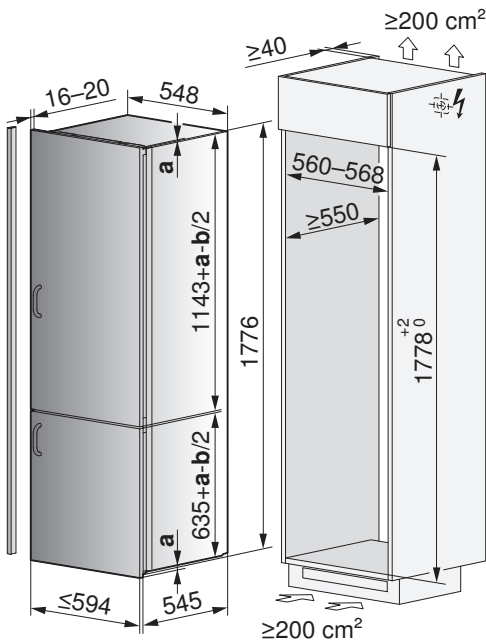
Noblesse (51046)

KNir (integrable in niche height 1778 mm)
 Maximum permissible weight of door panel: 17.5 kg



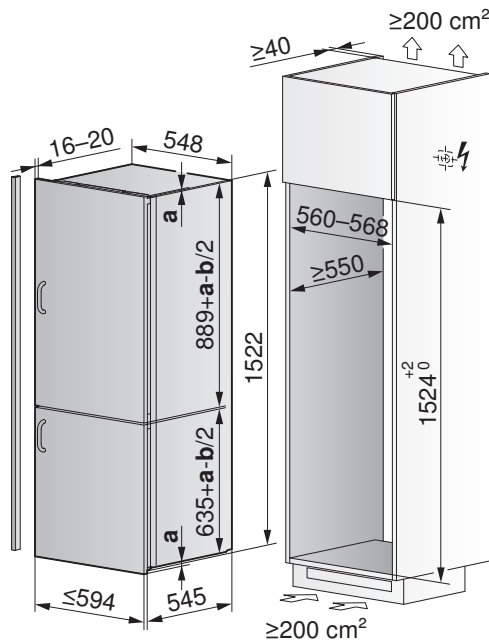
Prestige P eco (51052), Prestige (51044), Prestige T (51081)

KPRireco, KPRireco, KPRir, KPRil, KPRTir, KPRTil
 (integrable in niche height 1778 mm)
 Maximum permissible weight of door panel is 17.5 kg



Futura eco (51061)

KFireco (integrable in niche height 1524 mm)
 Maximum permissible weight of door panel: 17.5 kg

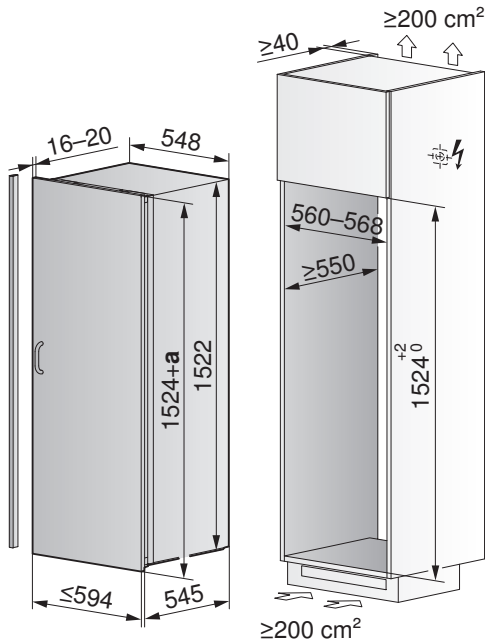


a Niche overlap
b Gap (≥ 4 mm)

Royal (51018)

KRir (integrable in niche height 1524 mm)

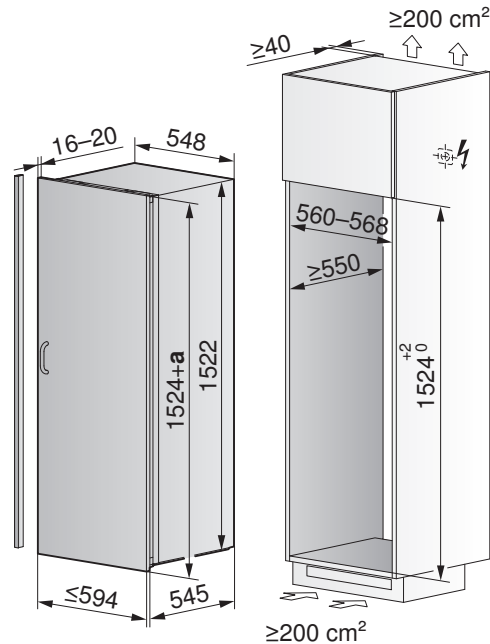
Maximum permissible weight of door panel: 17.5 kg



De Luxe eco (51060)

KLireco (integrable in niche height 1524 mm)

Maximum permissible weight of door panel: 17.5 kg

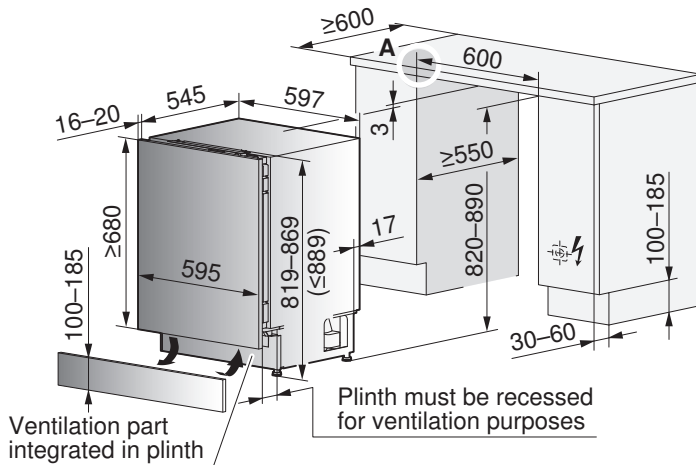


a Niche overlap

Komfort 60i (51048)

KK60ir (integrable in niche height 820–890 mm)

Maximum permissible weight of door panel: 17.5 kg



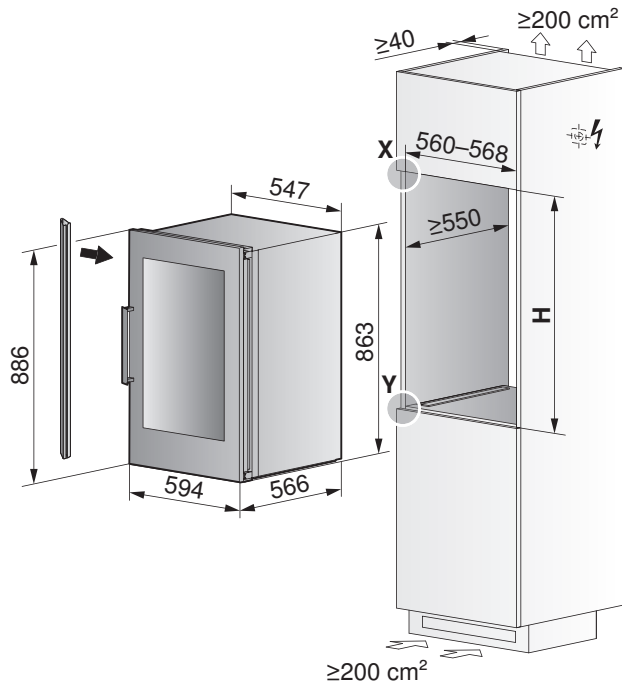
* Installation set for stone worktop H72998 (not included in the scope of delivery)

14.6 Winecoolers

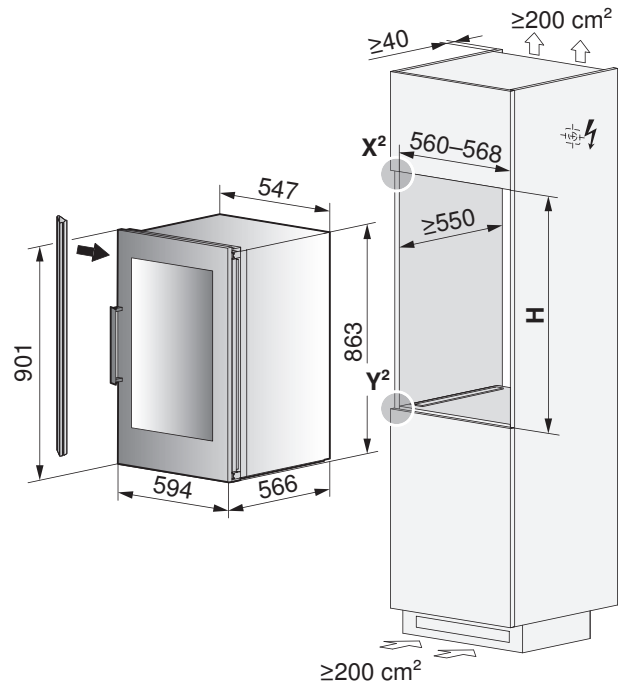


The installation kit for the assembly is included in the scope of delivery.

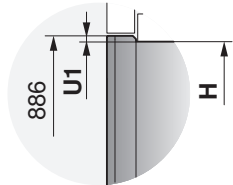
Winecooler 60 SL (51075)
KWSL60



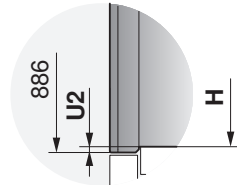
Winecooler 90 SL (51082)
KW90SL60



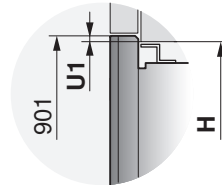
Detail X



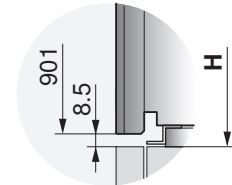
Detail Y



Detail X²



Detail Y²



Model	Installation type	Niche height H	Installation kit art. no.	Installation kit height	Overlap	
					U1	U2
KWSL60	EURO 60	874–877+2	-	-	3–6 mm	6 mm
KWSL60	EURO 60	877–880+2	1032131	3 mm	-	3 mm
KW90SL60	EURO 90/60	906+2	1031817	16 mm	4 mm	-

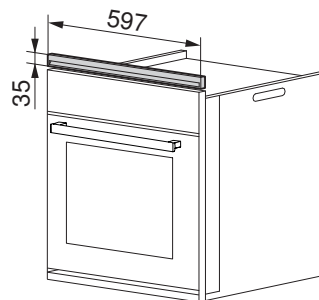
15 Accessories

15.1 Ovens / steam cookers / microwaves / coffee machines / vacuum drawers / warming drawers / system drawers

Compensation elements

Ventilation grille

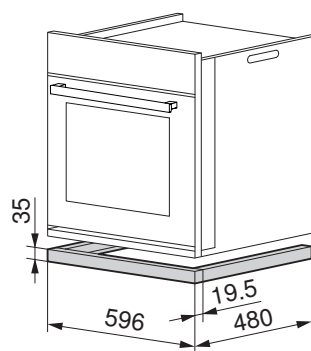
- Ventilation grilles are needed when glass ceramic hobs are installed over ovens.
- For installation above the control panel, see installation instructions J40254.



Niche width 60 cm		
Description	Appliance height	Article no.
White	60 cm	H63161
Nero	60 cm	H63163
ChromeClass	60 cm	H63256

Adapter frame

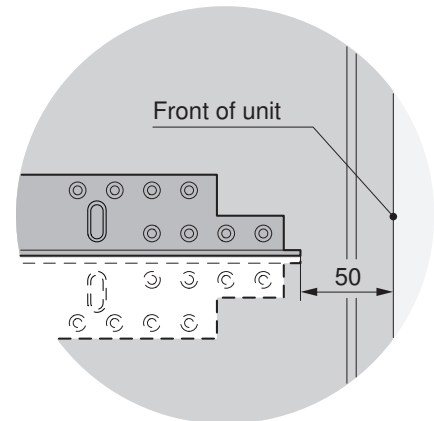
- For installation, see installation instructions J731050.
- Installation below the appliance



Niche width 60 cm		
Designation	Appliance height	Article no.
White	38.1 / 60 cm	K38137
Nero	38.1 / 60 cm	K38136
ChromeClass	38.1 / 60 cm	K48135
Black glass	38.1 / 60 cm	K38134
AluClass	38.1 / 60 cm	K38133

Angle set for combination possibilities

- For installation, see installation instructions J21021050.
 - ▶ In the niche mount to the wood left and right.
 - ▶ The appliance is placed on the mounting angle and pushed into the niche.
- Art. no. K50572**, construction type EURO



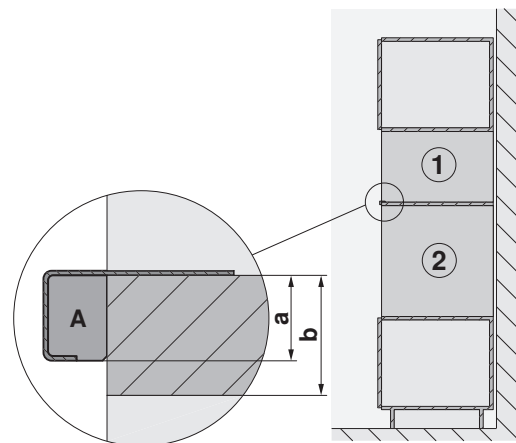
Design cover

The design cover covers the intermediate base for EURO niches and is for a combined installation of two appliances e.g. oven **1** and combi-steam appliance **2**. The cover is dimensioned for panel overlapping of 4 mm.

- For installation, see installation instructions J340050.
- Depending on the thickness of the intermediate base **b**, two variants (nero) of the design cover **A** are available:

Art. no. K37158 (**b** = 16 mm / **a** = 10.5 mm)

Art. no. K37159 (**b** = 19 mm / **a** = 13.5 mm)



Aesthetic profile

Assembly kit with aesthetic profile for installing Miwell next to another appliance.

- For installation, see installation instructions 1009019.

Art. no.1009179

Drain hose

5 m drain hose for steam cooker with fixed water connection CSTXSFLF

Art. no.1012933

15.2 Hobs and hob hoods

Ventilation protective plate set for installation below induction hobs (Not possible for wok and induction appliances with dial controls)			
Niche width 600 mm Niche width 825 mm Niche width 900 mm	For all other induction appliances	H61083 H61084 H61085	J40248
Niche width 600 mm without seal Niche width 825 mm without seal Niche width 900 mm without seal	- for induction GK46TIMPS..., GK47TIMPS...	H61087 H61088 H61089	



Designation	Article no.	Installation instructions
Ventilation grille, height 35 mm for built-under short ovens		
Type of construction 60-600		
- White - Nero - ChromeClass - ChromeClass (TouchClean)	H63161 H63163 H63165 H63256	J40254
Type of construction 60-450		
- Nero - ChromeClass - ChromeClass (TouchClean)	H60039 H60041 H60053	J40250
Type of construction 60-381		
- Nero - ChromeClass - ChromeClass (TouchClean)	H60033 H60035 H60049	J40252

Angle set for flush installation with straight stone cut		
- Hob size 30 - Hob size 40 - Hob size 60 - Hob size 70 - Hob size 80 - Hob size 90 - Hob size 80 Panorama - Hob size 90 Panorama	H63770 H63771 H63772 H63773 H63774 H63775 H62679 H62568	-
Appropriate adhesive for mounting in stone worktops: - Permabond F246, incl. activator, 50 ml tube. From Silitech AG, 3008 Bern.	B11502	-

Set for flush installation		
Sealing strip set	H63283	J004130
Spacer set	H60330	

Adjusting brace set for mounting in glass worktops		
Adjusting brace set	H62510	J41699

Designation	Article no.	Installation instructions
Intermediate support sets for combined installation		
Stainless steel intermediate support for the surface-mounted combination of several hobs is not available in Germany.	1014361	1013773
Black intermediate support for the surface-mounted combination of several hobs is not available in Germany	1019199	
Side strips for combination installation with Teppan Yaki and hob hood	1028587	
Intermediate support for the flush-mounted combination of several hobs	H63789	1014381
Gas deflector for DSMS combination and gas hob	1031218	-
Sealing ring for gas connection, flat	1030096	-

Mastic set for flush installation		
Mastic set	86392885	J004133
Optional silicone adhesive		
Natural stone silicone, white	1011313	-
Natural stone silicone, stone grey	1011314	-
Natural stone silicone, anthracite	B11556	-
Natural stone silicone, black	B11555	-

Suitable for all absorbent worktop materials (wood and natural stones such as marble, granite).

The set comprises:

Designation	Remarks	Number
Cleaning agent, type T *	-	1
Special primer, type 1105 *	100 ml bottle	1
Silicon adhesive, black	Cartridge with nozzle	1

For the remaining or for non-absorbent worktop materials and artificial stone surfaces, the special primer type 107 *, article no. 45.2771.76, must be used. Not suitable for polyethylene, polypropylene or Teflon.

* Primer types: Firm name H. OTTO GmbH u. Co., Chemie GK, D-83413 Fridolfing

Good adhesion cannot be obtained on slate or other materials containing oil. The use of such worktop materials is not advised for the flush installation of glass ceramic hobs.



In case of doubt as to the suitability of cement set materials, especially when using them for the first time, we recommend that you carry out adhesion trials on test pieces or at non-visible locations.

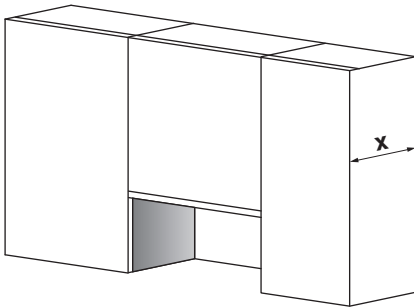
15.3 Range hoods



Technical information on the range hoods can be found in the document J32836 «TechInfo for range hoods».

Protective plate for side walls

The protective plates for the side walls are needed to protect the sides of the wall unit from grease and moisture.



Designation	Dimensions (height x depth)	Wall unit depth x	Colour	Article no.
Protective plate for side walls	235 x 310 mm	330 mm	White	K26092
Protective plate for side walls	235 x 310 mm	330 mm	Nero	K26093
Protective plate for side walls	235 x 310 mm	330 mm	ChromeClass	K26094
Protective plate for side walls	235 x 330 mm	350 mm	White	H42792
Protective plate for side walls	235 x 330 mm	350 mm	Nero	H42791
Protective plate for side walls	235 x 330 mm	350 mm	ChromeClass	H42790
Protective plate for side walls	235 x 350 mm	370 mm	White	H42795
Protective plate for side walls	235 x 350 mm	370 mm	Nero	H42794
Protective plate for side walls	235 x 350 mm	370 mm	ChromeClass	H42793

Helically wound pipes

Helically wound pipe



Description

Strong, helically wound pipe, sendzimir galvanized
Material thickness 0.5 mm

1 à 3 m

Art.-no.

H42028

H42029

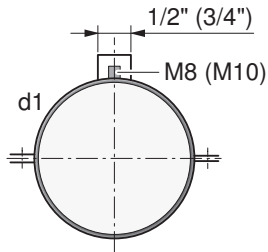
d1

ø125 mm

ø150 mm

Fastening elements

Pipe clip with thread

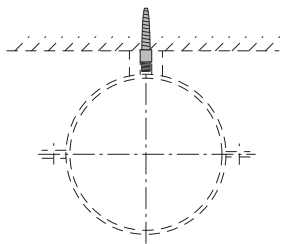


Description

For mounting the helically wound pipe
2-part set with sound insulation insert, incl. screws and nuts
Galvanized steel, thread M8

Art. no. d1
H42050 $\varnothing 150$ mm

Double-threaded pin M8, galvanized

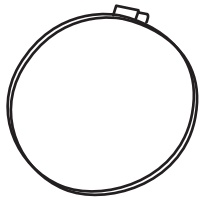


Description

For mounting the pipe clip in the concrete wall
Length 40 mm

Art. no.
H42057

Quick-locking hose clamp

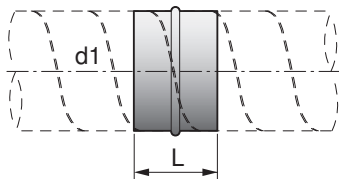


Art. no.

33121304 $\varnothing 110-130$ mm
33121336 $\varnothing 150$ mm

Connecting nipples / connecting pipes

Connecting nipple

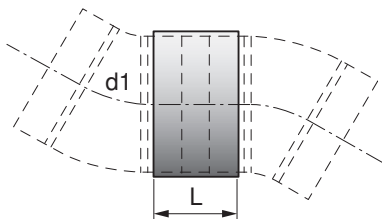


Description

Sendzimir galvanized sheet steel
L = 80 mm

Art. no. d1
H42031 $\varnothing 150$ mm

Connecting pipe



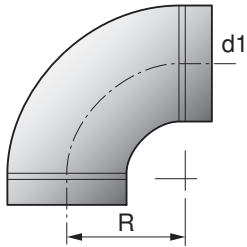
Description

Sendzimir galvanized sheet steel
L = 90 mm

Art. no. d1
H42032 $\varnothing 125$ mm
H42033 $\varnothing 150$ mm

Elbows

Elbow 90°



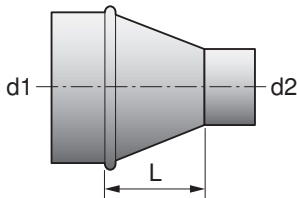
Description

Elbow, pressed, $R = d1$
Use with flexible and rigid pipes
Sendzimir galvanized sheet steel

Art. no.	d1
H42034	ø125 mm
H42036	ø150 mm

Reducers

Reducer



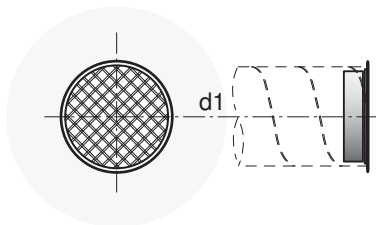
Description

Pressed version, $L = 22$ mm
Sendzimir galvanized sheet steel

Art. no.	d1
H42040	ø150–125 mm

Pipe end pieces

Pipe end piece



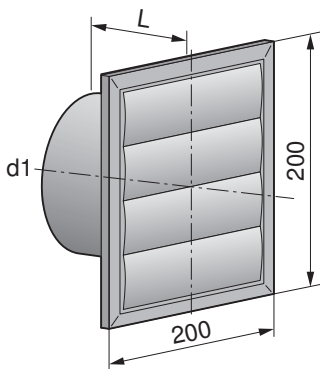
Description

Connection with grille
Sendzimir galvanized sheet steel

Art. no.	d1
H42048	ø150 mm

Weather protection grilles

Weather protection grille made from plastic

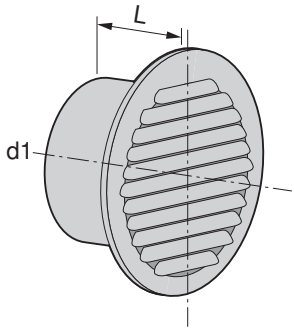


Description

Weather protection grille without a non-return flap valve, square with connection piece
weatherproof, $L = 40$ mm

Art. no.	d1
H42080	ø150 mm, white

Weather protection grille



Description

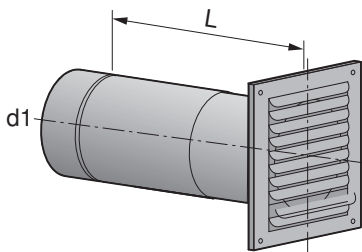
Weather protection grille without a non-return flap valve, round, pressed, made from aluminium

With fly screen and connection piece, L = 45 mm

Art. no.	d1
H42064	ø150 mm

Wall pipes

Telescopic wall pipe with non-return flap valve



Description

3-part set, L = Wall thickness 300–460 mm

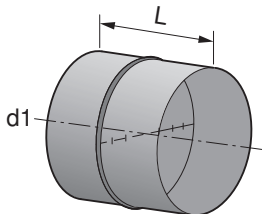
Sendzimir galvanized sheet steel

Grille made from aluminium; can be painted

Art. no.	d1
H42065	ø125 mm
H42066	ø150 mm

Flaps

Non-return flap valve with sealing lip



Description

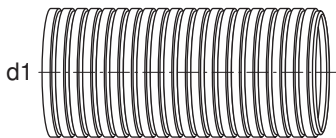
Made from robust sheet steel

For flexible and rigid pipes, L = 80 mm

Art. no.	d1
H42061	ø125 mm
H42062	ø150 mm

Hoses

Aluminium hose, semi-flexible



Description

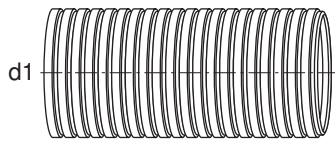
Round Aluflex, semi-flexible

Dimensionally stable, flame resistant

1 à 3 m

Art. no.	d1
H42051	ø125 mm
H42052	ø150 mm
H40168	ø160 mm

Aluminium hose, highly flexible

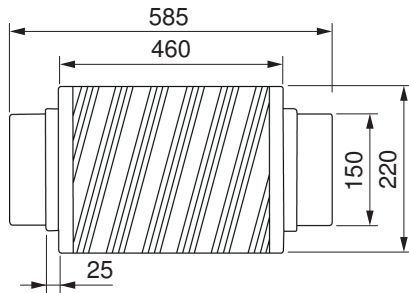


Description

Round Aluflex, highly flexible
 Internal bending radius 30–60 mm
 Dimensionally stable, flame resistant

Art. no.	d1
H42053	ø125 mm, 1 à 10 m
16955803	ø150 mm, 1 à 15 m

Noise insulation, aluminium



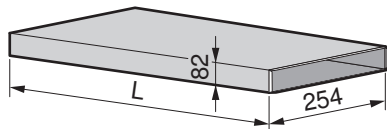
Description

Noise insulation made of aluminium for ø150 mm pipe dimension.
 Noise reduction of up to 22 dB.

Art. no.	ø150 mm
1030591	

Flat channels

Flat channel

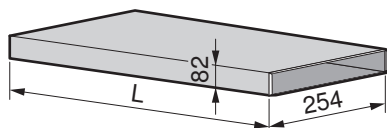


Description

Exhaust ducting system with very low installation height of 82 mm
 Sendzimir galvanized sheet steel
 Corresponds to nominal diameter ø150 mm

Art. no.	L = 1000 mm
H42068	
H42069	L = 600 mm

Reinforced flat channel

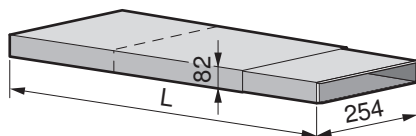


Description

Exhaust ducting system with very low installation height of 82 mm
 Sendzimir galvanized sheet steel
 With reinforcement for concreting in
 Corresponds to nominal diameter ø150 mm

Art. no.	L = 600 mm
H42085	
H42086	L = 1000 mm

Telescopic flat channel

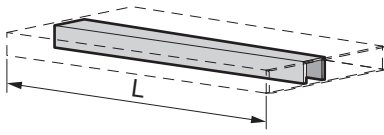


Description

Exhaust ducting system with very low installation height of 82 mm
 Sendzimir galvanized sheet steel
 Corresponds to nominal diameter ø150 mm

Art. no.	L = 275–535 mm
H42070	

Reinforcing rib for flat channel



Description

For concreting in flat channel

Art. no.

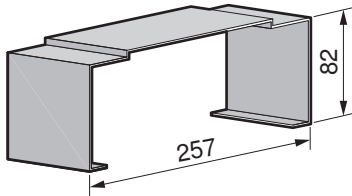
H42071

H42072

L = 600 mm

L = 1000 mm

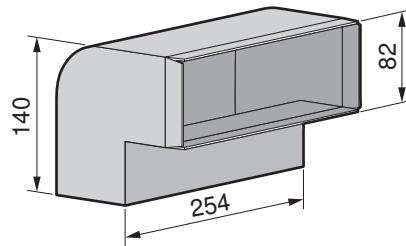
Mounting bracket for flat channel



Art. no.

H42073

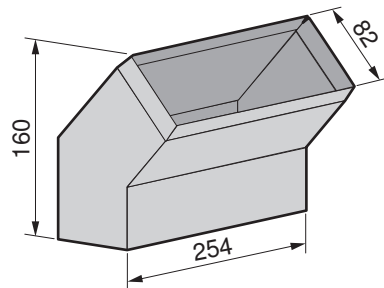
Elbow 90°, vertical, for flat channel



Art. no.

H42074

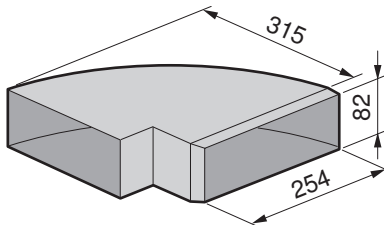
Elbow 45°, vertical, for flat channel



Art. no.

H42075

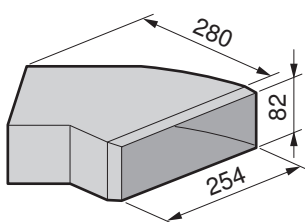
Elbow 90°, horizontal, for flat channel



Art. no.

H42076

Elbow 45°, horizontal, for flat channel

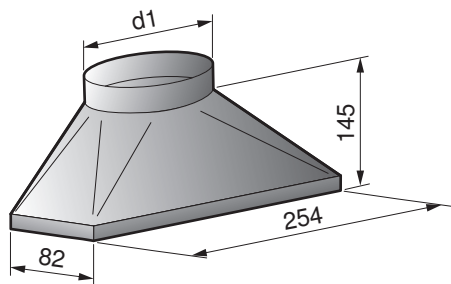


Art. no.

H42077



Transition piece for flat channel



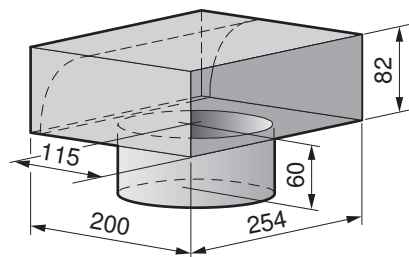
Description

For transition from round to flat

Art. no.
 H42078

d1
 ø150 mm

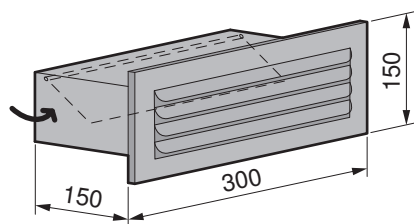
Diverter piece on flat channel



Art. no.
 H42087
 H42079

Connection ø125 mm
 Connection ø150 mm

Flat channel wall box



Description

With non-return flap valve and weather protection grille

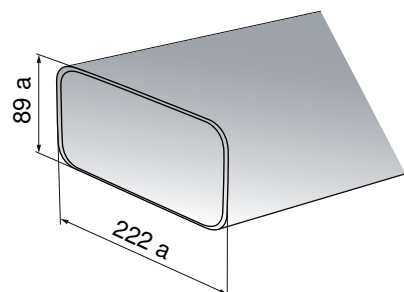
Art. no.
 H42054

Flat channel systems made of plastic



Accessory parts made of non-fireproof plastic.

Flat channel



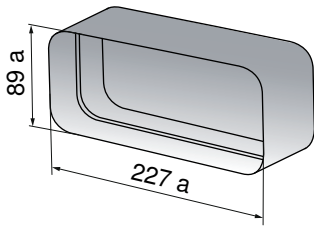
Description

Ventilation duct without sleeve

Art. no.
 1012780

L = 1000 mm

Channel connector



Description

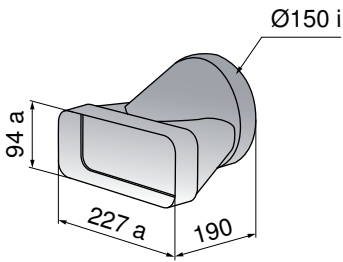
For straight ventilation pipes

Art. no.

1012781

L = 80 mm

Transition piece for flat channel



Description

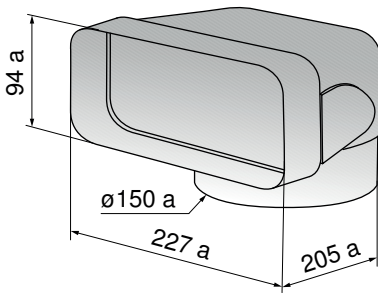
Formed sleeve for direct transition from flat to round

Fluidically optimized

Art. no.

1012782

Diverter piece on flat channel 90°



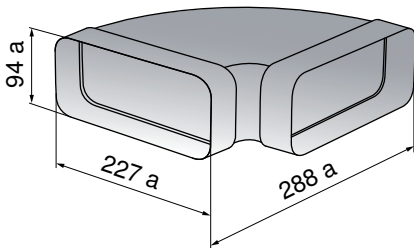
Description

For direct hood connection with air guides and formed sleeve at one end

Art. no.

1012783

Elbow 90°, horizontal



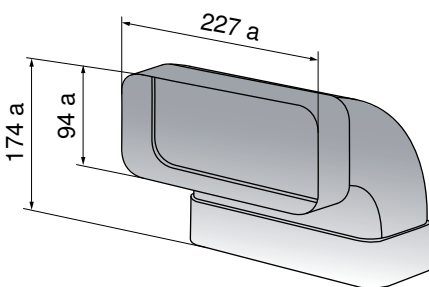
Description

With air guides and formed sleeve at both ends

Art. no.

1012784

Elbow 90°, vertical



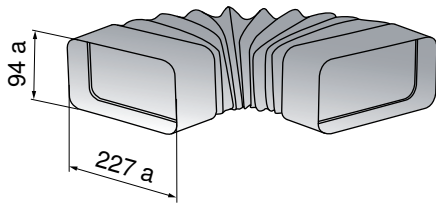
Description

With air guides and formed sleeve at both ends

Art. no.

1012785

Flexible elbow, flat



Description

For bends and turns up to 180°

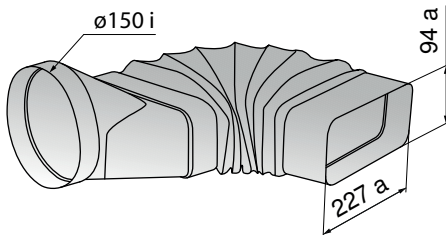
Adapter, flexible, angular to angular, with formed sleeve

Art. no.

1012786

L = 240–600 mm

Flexible elbow, round onto flat



Description

For bends and turns up to 180°

Adapter, flexible, round to angular, with formed sleeve

Art. no.

1012787

L = 160–550 mm

Weather protection grille for plastic flat channel



Description

Ventilation grille for plastic flat channel, ChromeClass with non-return flap valve. Depth of connection piece.

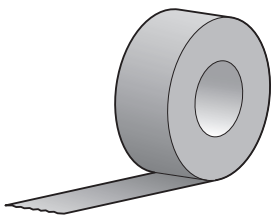
Art. no.

1030590

290 × 160 mm

Sealing tape

Aluminium tape



Description

Fabric-reinforced tape, with protective film, 50 mm × 50 m roll

Art. no.

H42067



15.4 Dishwashers

Adora

- Suitable length for tall unit according to specifications in this planning aid.
- For base unit, calculate correct niche dimensions working back from decor panel length.
- For questions, please contact Customer Services.

Stainless steel fronts (option)

Integrated	Width	Height	Depth	Article no.
Decor set 60 standard ChromeClass	596 mm	632 mm	20 mm	W83523
Decor set 60 extra height ChromeClass	596 mm	697 mm	20 mm	W83524

Black glass fronts (option)

Integrated	Width	Height	Depth	Article no.
Decor set 60 standard black glass	596 mm	632 mm	20 mm	W83526
Decor set 60 extra height black glass	596 mm	697 mm	20 mm	W83527

Diverse sets

Set	Article no.	Remarks
Conversion kit for slide plate	W83583	In place of the plinth runners, for the installation on a plinth or for the tall unit.
Installation set, fully integrated, two-part	W83931	For a two-part, fully integrated decor front panel.
Compensator set, ChromeClass	W81302	Supplied for «ChromeClass» appliances.
Compensator set, black	W82043	Additional order for «black glass» appliances. The set can also be used for «ChromeClass» appliances.
Plinth runner	W82930	For height compensation in a niche
Work surface protection	W70163	Protection against escaping moisture
CS set containing strong spring	W84603	For heavier decor panels, standard height, weight of decor panel max. 10.5 kg
CS set containing strong spring	W84604	For heavier decor panels, extra height, weight of decor panel max. 10.5 kg
CS set containing long hoses SL	1032108	Conversion to 3 m Aquastop and 3 m drain hose*
CS set containing long hoses N/S	1032107	Conversion to 3 m Aquastop and 3 m drain hose*
CS set containing door hinge brake	1011228	For very heavy decor panels for appliances with door opener

* Conversion to be carried out by trained personnel only.



15.5 Refrigerators

Designation	Article no.	Remarks
Supplementary kit 60 cm (filler strip)		
KFi, KRi, KLi, Kli	H71755	Length 1530 mm
KCi, KNi, KPRPieco, KPRieco, KPRi, KCLi	H71756	Length 1780 mm
Installation set for stone cladding		
KK60i	H72998	-



Index

A

Accessories	129
Compensation elements for combination possibilities	130
Design cover	130
for ovens, steam cookers, microwaves	129
for range hoods	133
for refrigerators	143
Adapter frame	129
Adjusting brace set	131
Angle set	131
Angle set for combination possibilities	130

B

Built-in hoods	93
----------------------	----

C

Ceiling hoods	77
Coffee machines	
Accessories	129
Combination possibilities	
Steam cookers	28
Compensation elements	
Adapter frame	129
Angle set for combination possibilities	130
Design cover	130
Ventilation grille	129
Compensators	111
Country groups	2

D

Design cover	130
Dishwashers	
Accessories	142
Compensators	111
Electrical connection data	107
Plumbing-in data	107
Dishwashers with heat pump	116
Compensators	120
Electrical connection data	117
Plumbing-in data	118

E

Electrical connection data	
Dishwashers Adora	106, 117
Ovens	17
Warming and system drawers	19
Electrical connections	
Fault currents	5
General operating conditions	5
Microwaves	25
Position	8
Residual current devices (RCD)	5
Steam cookers	11
Electrical connections and installation dimensions	5

F

Fault currents	5
Flat channel systems made of plastic	139
Frequency stability	5
Frequency variation	5
Front dimensions of the appliances	
Manufacturing tolerance	10

G

General operating conditions	5
Glass ceramic hobs	
Examples for combined installation	61
Induction hobs	32

H

Hobs	
Accessories	129

I

Induction hobs	32
Induction woks	32
Installation dimensions	5
EURO	9
Front dimensions	10
Installing	
EURO	9
Island hoods	80

M

Mastic set	132
Microwaves	25
Accessories	129

N

Notes	146
-------------	-----

O

Operating conditions	
General	5
Ovens	
Accessories	129
Electrical connection data	17

P

Plumbing in	
Dishwashers Adora	106, 117
Positions of electrical connections	8
Range hoods	86



R

Range hoods	65
Built-in hoods.....	93
Ceiling hoods.....	77
Connecting nipples.....	134
Connecting pipes.....	134
Elbow.....	135
Fastening elements	134
Flaps.....	136
Flat channels	137
Helically wound pipes	133
Hoses	136
Island hoods	80
Pipe end pieces.....	135
Positions of electrical connections.....	86
Reducers	135
Sealing tape.....	141
TechInfo for range hoods	133
Wall hoods.....	86
Wall pipes	136
Weather protection grilles.....	135
Range hoods:Special hoods.....	65
Refrigerators.....	123
Residual current devices (RCD)	5

S

Sealing strip set.....	131
Spacer set	131
Special hoods	65
Steam cookers.....	11
Accessories	129
Installing	15
Plumbing in.....	16
Supplementary documents.....	2
TechInfo for range hoods	133
Symbols used	2
System drawers.....	19
Accessories	129

T

TechInfo for range hoods	133
--------------------------------	-----

U

Use at altitude.....	5
Useful links	2

V

Vacuum drawer	19
Vacuum drawers	
Accessories	129
Validity	6
Ventilation grille	129, 131
Ventilation protective plate set.....	130

W

Wall hoods.....	86
Warming and system drawers	
Electrical connection data.....	19
Warming drawers	19
Accessories	129
Wincoolers.....	128



16 Notes



CONTACT IN SWITZERLAND

V-ZUG Ltd
Industriestrasse 66
CH-6301 Zug/Switzerland
www.vzug.com

Service & Support International
Tel. +41 58 767 67 78
service-support@vzug.com

