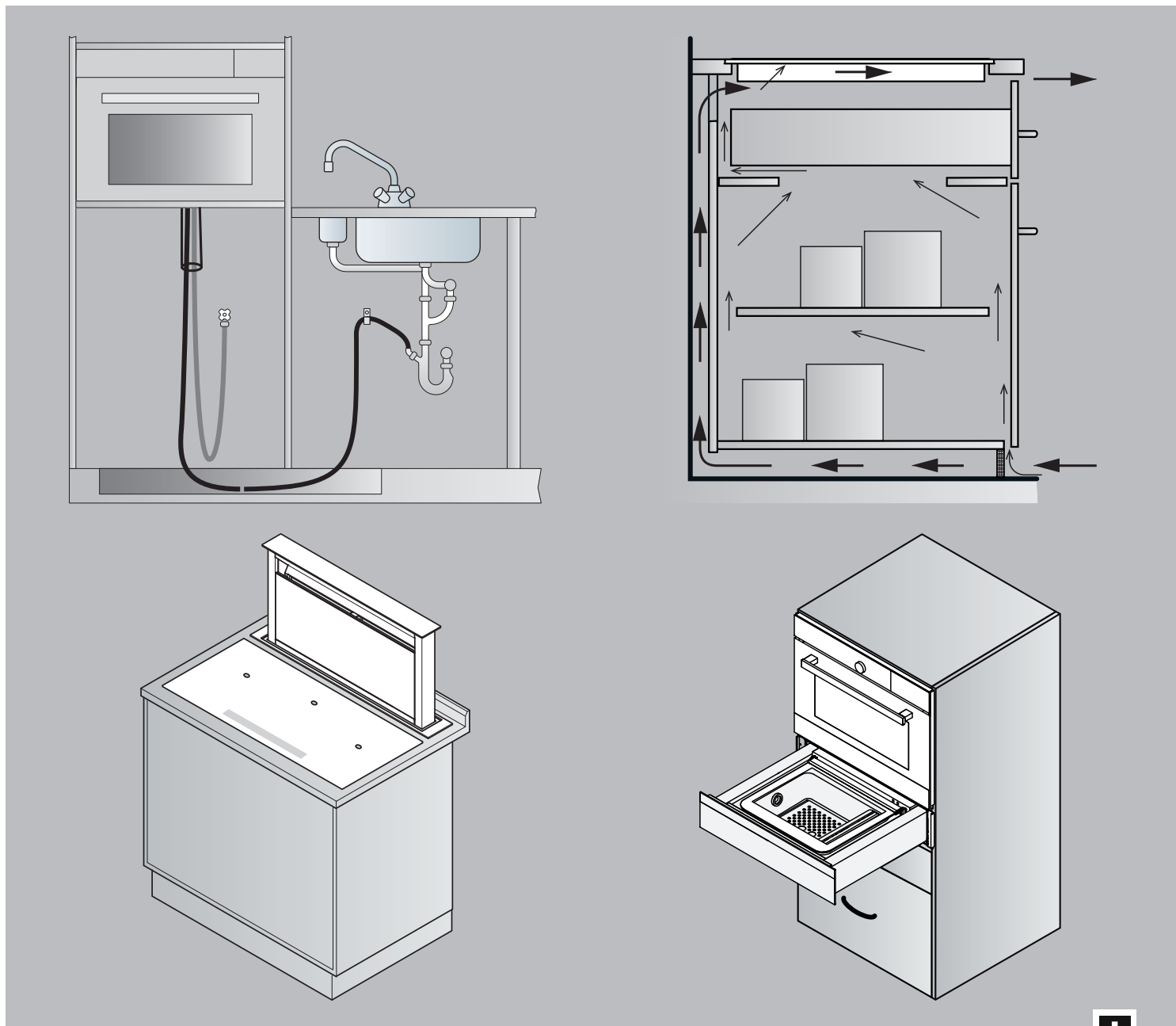




Swiss perfection for your home



Planning aid

Australia collection
Kitchen appliances
2021/2022



Note on content

Please note

This planning aid applies to the specified model numbers only. Older planning aids for earlier generation models may be requested in electronic form from our Customer Services.

This planning aid is not to be used as installation instructions! The regulations and instructions binding for the appliance installation are to be obtained from the installation instructions packed with the appliances. The installation instructions can also be downloaded from the internet from www.vzug.com/b2b.

Modifications

Text, diagrams and data correspond to the technical standard of the appliances at the time this planning aid went to press. The right to make technical modifications for the purpose of the further development of the appliances is reserved. The German, English, French and Italian versions are binding. V-ZUG accepts no liability for translations in other languages.

Symbols used



Denotes important safety precautions.

Failure to observe said precautions can result in injury or in damage to the appliance or fittings!

- ▶ Indicates an instruction.
- Indicates a list.



Information and precautions that should be observed.



Extraction



Recirculation

Supplementary documents

In this planning aid, occasional reference is made to supplementary documents. These documents can be requested from the Head Office in Zug by sending an e-mail to service-support@vzug.com.

Useful links

- www.vzug.com
- www.vzug.com/b2b
- www.lifestyle.vzug.com



Contents

1 Overview of connections, ranges and dimensions	5
1.1 General operating conditions	5
1.2 Using residual current devices in house wiring system / fault current.....	5
1.3 Validity.....	6
1.4 Positions of electrical connections	8
1.5 Built-in EURO.....	9
1.6 Front dimensions of the appliances	10
2 Steam cookers	11
2.1 General notes.....	11
2.2 Electrical connection data	11
2.3 Air circulation diagram for CSTMSLQ60	11
2.4 CSTMSLQ60 (23015)	12
2.5 CSSL60 (23012)	12
2.6 CsthSL60 (23004).....	12
2.7 CSTXSL60 (23005/23006).....	13
2.8 CSTXSL60F (23007/23008).....	13
3 Ovens	16
3.1 General notes.....	16
3.2 Electrical connection data	16
3.3 BCSL60 (21061), BCSE60 (21016), BCSLP60 (21062), BCSEP60 (21060)	16
3.4 BCXSLP60 (21063).....	16
4 Vacuum and warming drawers	17
4.1 General notes.....	17
4.2 Electrical connection data	17
4.3 Vacuum drawers	18
4.4 Warming drawers	19
5 Coffee-Centers	21
5.1 General notes.....	21
5.2 Electrical connection data	21
5.3 Supremo XSL (25004)	21
6 Combination possibilities	22
6.1 Oven & steam cooker.....	22
6.2 Oven & coffee-center	23
7 Glass ceramic hobs – induction, wok, teppanyaki	24
7.1 General notes.....	24
7.2 OptiGlass coating	24
7.3 Electrical connection data	24
7.4 Ventilation	25
7.5 Induction hob with integrated range hood	26
7.6 Surface-mounted installation with «DualDesign».....	34
7.7 Flush installation with «DualDesign».....	40
7.8 Installation without protective plate	47
7.9 Installation with protective plate	49
8 Gas hobs	52
8.1 Electrical connection data	52
8.2 Gas connection	53
8.3 Ventilation	54
8.4 Setting up appliance to use local gas type	54
8.5 Surface-mounted installation with «DualDesign».....	55
8.6 Flush installation with «DualDesign».....	58
9 Combined hob installation	61
9.1 Surface-mounted combination	61
9.2 Examples of surface-mounted combinations	62
9.3 Flush combination	63
9.4 Examples of flush combinations.....	64
10 Range hoods	65



10.1	General notes.....	65
10.2	Special hoods	65
10.3	Built-in hoods	79
11	Dishwashers	81
11.1	General notes.....	81
11.2	Electrical connection data / plumbing in	82
11.3	Installation overview	84
11.4	Drilling plans for decor panel 60 cm	85
11.5	Dishwasher with niche width 60 cm	86
12	Dishwashers with heat pump	90
12.1	General notes.....	90
12.2	Electrical connection data / plumbing in	91
12.3	Installation summary	92
12.4	Drilling plans for decor panel 60 cm	93
12.5	Dishwasher with niche width 60 cm	94
13	Refrigerators	96
13.1	General notes.....	96
13.2	Electrical connection data	96
13.3	Ambient conditions	96
13.4	Niche ventilation	97
13.5	Refrigerators.....	98
13.6	Winecoolers	100
13.7	Freezers	101
14	Accessories	102
14.1	Ovens / steam cookers / microwave ovens / coffee machines / vacuum drawers / warming drawers.....	102
14.2	Hobs and gas hobs	104
14.3	Range hoods.....	106
14.4	Dishwashers.....	118
14.5	Refrigerators.....	119
15	V-ZUG-Home	120
15.1	Internet access.....	120
15.2	Scope of delivery.....	120
15.3	Connecting to the home network.....	120
	Index	121
16	Notes	123



1 Overview of connections, ranges and dimensions



Electrical connections must be carried out by qualified experts in accordance with the guidelines and standards for low-voltage installations and the specifications of the local electricity supply companies.

A plug-in appliance may only be connected to a socket outlet with earthing contact, installed according to specifications. An all-pole mains isolating device with 3 mm contact opening should be provided in the house wiring system. Switches, plug and socket devices, circuit breakers and fusible cut-outs which are accessible after installation and which have all-poles switching are permissible as isolating devices. Effective earthing and separately installed neutral and earth conductors ensure safe and fault-free operation. After installation, live parts and cables with basic insulation must not be accessible. Check old installations.

1.1 General operating conditions



Detailed information on the electrical connection data can be found at the beginning of each section.

Value	Nominal value	Minimum	Maximum
Voltage	230 V	207 V	253 V
Voltage	400 V	360 V	440 V
Frequency	50 Hz sinusoidal	49 Hz sinusoidal	51 Hz sinusoidal

- Short duration frequency variation in the mains: $\pm 5\%$
- Long duration frequency stability in the mains (for synchronous clocks): ± 10 ppm
- If used at an altitude of over 2,000 metres, a reduced performance must be expected.

1.2 Using residual current devices in house wiring system / fault current

High fault currents are inherently present in ovens and hobs. The values can be affected by various factors and vary widely. Fault currents of up to approximately 10 mA per appliance are permissible in accordance with the norm. The values are measured in the warm operating state.

If residual current devices (RCDs) are used in the house wiring system, we recommend that the above-mentioned appliances have their own RCD protection, separate from the power supply for the rest of the system. 30 mA or higher should be selected as the tripping current for the residual current device.



1.3 Validity

The model number corresponds to the first alphanumeric of the serial number SN (or FN) on the identification plate.

Model designation	Model number	Type
Steam cookers		
Combi-Steam HSL 60	23004	CSTHSL60g
Combi-Steam XSL 60	23005	CSTXSL60g
Combi-Steam XSL 60	23006	CSTXSL60Yg
Combi-Steam XSL 60 with fixed-water connection	23007	CSTXSL60Fg
Combi-Steam XSL 60 with fixed-water connection	23008	CSTXSL60FYg
Combair-Steam SL 60	23012	CSSL60g
Combi-Steam MSLQ 60	23015	CSTMSLQ60g
Ovens		
Combair SE 60	21016	BCSE60g
Combair SEP 60	21060	BCSEP60g
Combair SL 60	21061	BCSL60Yg
Combair SLP 60	21062	BCSLP60g
Combair XSLP 60	21063	BCXSLP60g
Vacuum drawers		
Vacuum drawer 60 144	36001	VS60144g
Vacuum drawer 60 144 Vi	36003	VS60144 Vi
Warming drawers		
Warming drawer 60 144	34017	WS60 144
Warming drawer 60 220	34019	WS60 220
Warming drawer 60 283	34020	WS60 283
Warming drawer 60 144 Vi	34022	WS60 144 Vi
Coffee-center		
Supremo XSL 60	25004	CCSXSL60g
Hobs		
GK17TIYSZ Teppan Yaki	31076	GK17TIYSZ
GK47TIMPS 4-zone	31079	GK47TIMPSZ
GK27TIMS 2-zone	31085	GK27TIMSZ
GK16TIWS wok	31088	GK16TIWSZ
GKD46TIMAS Fusion	31094	GKD46TIMASZO
CookTopInduction V6000	31114	CTI6T95MMSOLD
CookTopInduction V4000	31115	CTI4T64MMSOLD
CookTopInduction V4000	31116	CTI4T74MMSOLD
CookTopInduction V6000 FullFlex	31132	CTI6T75FKTFHD
CookTopInduction V6000 FullFlex	31134	CTI6T96FKTFHD



Model designation	Model number	Type
Gas hobs		
GAS411 multi-slider	31063	GAS411GSBZ
GAS421 multi-slider	31064	GAS421GSBZ
GAS641 multi-slider	31071	GAS641GSBZ
GAS951 multi-slider	31072	GAS951GSBZ
GAS731 dial controls	31075	GAS731GKBZ
Special hoods		
DSTS9 downdraft hood	64004	DSTS9g
DSMS downdraft hood	64005	DSMS
Built-in range hoods		
AiroClearCabinet V4000	64009	AE4T6HELC
AiroClearCabinet V4000	64010	AE4T9HELC
AiroClearCabinet V4000	64011	AE4T9HEXLC
Dishwashers		
AdoraDish V2000	41108	AS2T6HVI
AdoraDish V6000	41118, 41120, 41121	AS6T6HVI/GBHVI/WHVI
Refrigerators		
CombiCooler V6000 Supreme	51096	CCO9205NBH3VIR/L
Cooler V6000 Supreme	51098	CO9205H3VIR/L
Winecoolers		
Winecooler V6000 Supreme	51097	WC6205H1VIR/L
Freezers		
Freezer V6000 Supreme	51099	FR6205NH3VIR/L

1.4 Positions of electrical connections

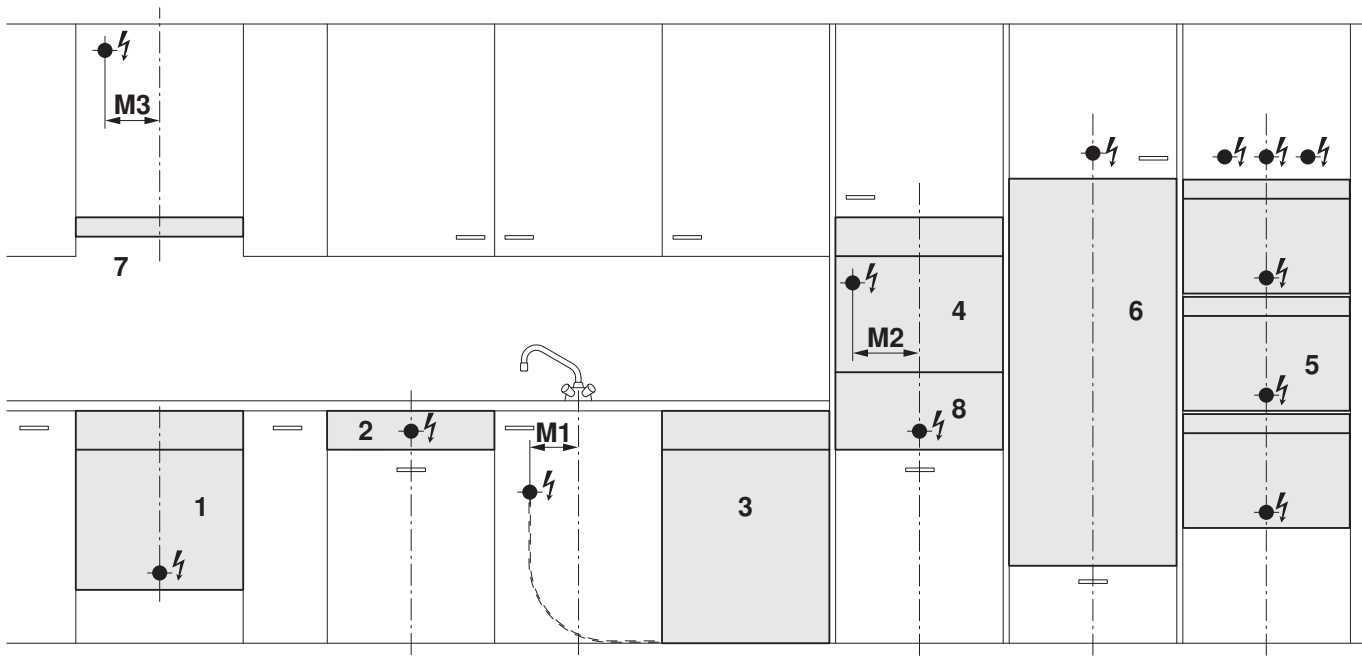
For EURO kitchens, allowance from the floor can vary. In this case, the electrical connection should be calculated using the dimension from the bottom edge of the appliance.

Oven above an oven

With this combination, an electrical connection should be provided for each appliance. Depending on the installation height and the type of combination, the connections may be located at different heights.

Wall hoods with telescopic casing

The electrical connection must pass between the exhaust air piping and the lagging sheets. The measurements given in the table ensure that this condition is met.



- 1 Oven / steam cooker in base unit
- 2 Autarchic hob
- 3 Dishwasher/refrigerator in base unit
- 4 Oven / steam cooker / coffee-center / microwave oven
- 5 Combinations (oven / steam cooker) and microwave oven (see M2)
- 6 Refrigerator, winecooler in tall unit
- 7 Range hood
- 8 Drawers (warming drawer / vacuum drawer / system drawer)

M1 Distance from centre to dishwasher/refrigerator connection in base unit

M2 Distance from centre to connection for coffee-center / microwave oven

M3 Distance from centre to range hood connection



Provide additional clearance for electrical connections if the installation niche has only the minimum depth.



1.5 Built-in EURO

No.	Designation	Connection from appliance support	Connection in niche	Type of connection
1	Oven, steam cooker (height 600 mm)	max. 30 mm (plinth height 100 mm)	Centre	I
2	Autarchic hob	–	Centre	I
3	Dishwashers	–	M1 = 160 mm	U
	Refrigerator in base unit	–	M1 = 160 mm	U
4	Oven, steam cooker (height 600 mm)	max. 30 mm	Centre	I
	Oven, steam cooker (height 380 mm / 450 mm)	max. 30 mm	Centre	I
	Microwave oven (height 380 mm)	max. 300 mm	M2 = 225 mm	I, U
	Microwave oven (height 450 mm)	max. 400 mm	M2 = 225 mm	I
	Coffee-center	max. 300 mm	M2 = 225 mm	I, U
5	Double combination (height 600 mm) Triple combination variants	max. 30 mm	Centre	I, U
6	Refrigerator, winecooler in tall unit up to and including 12/6, EURO 1530 mm	–	Centre	U
	Refrigerator in tall unit from 13/6, EURO 1540 mm			
8	Warming drawer, vacuum drawer	–	Centre	U

I See separate installation instructions

M1 Distance from centre to dishwasher/refrigerator connection in base unit

M2 Distance from centre to connection for coffee-center / microwave oven

U Flush power socket 220–240 V

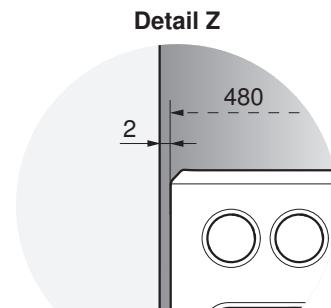
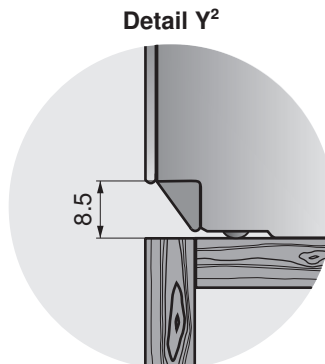
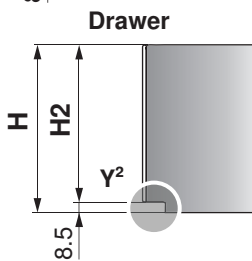
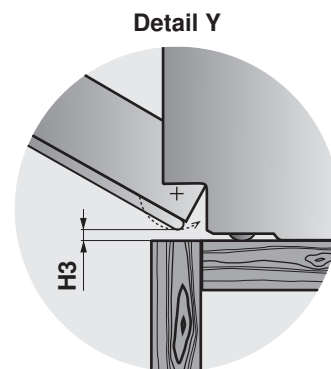
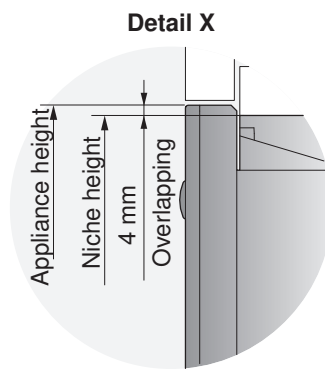
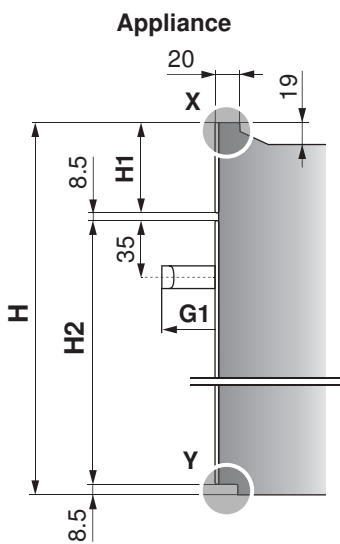
1.6 Front dimensions of the appliances



Manufacturing tolerance: ± 1 mm

Appliance height H	Panel height H1	Door glass height H2	Designer handle G1*	Handle length / hole distance
598	124	457.5	43	445/383
454	80	357.5		
378	50	311.5		
310	-	301.5	-	-
281		272.5		
218		209.5		
160		151.5		
142		133.5		
74		65.5		

* Not valid for appliances with retractable handle



Appliances	H3
Oven, steam cooker	4 mm
Microwave, coffee-center, system drawer, vacuum drawer and warming drawer	0 mm

2 Steam cookers

Only use if water hardness >3° French hardness (>1.7° German hardness).

2.1 General notes



Efficient repairs can only be guaranteed if it is possible to uninstall the whole appliance at any time without causing any damage.
 To ensure adequate ventilation, the niche in which the appliance stands must have a supply air opening of min. 25 cm².

2.2 Electrical connection data



General information on the electrical connections and an overview of the positions can be found in section Overview of connections, ranges and dimensions (see page 5).

Appliance	Mains connection	Fuse	Rated load	Mains cable
CSTMSLQ60 *	400 V 2N~ 50 Hz	16 A	5700 W	min. 1.8 m, without plug
	230 V~ 50 Hz	25 A **		
CSSL60, CSTHSL60, CSTXSL60	220–240 V~ 50 Hz	16 A	CSSL, CSTXSL, CSTXSLF: 3700 W CSTHSL: 3500 W	min. 1.8 m, without plug

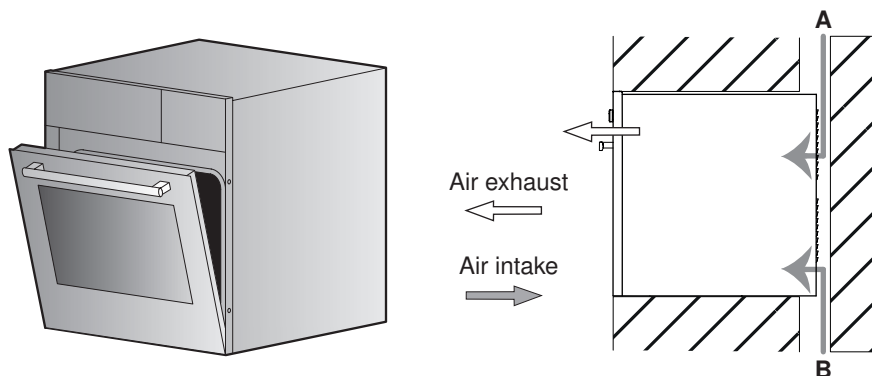
* The CSTMSLQ60 can also be operated with a single-phase connection (220–240 V~ / max. 16 A). For performance reasons, however, it is to be connected with a two-phase connection or fitted with a 25 amp fuse whenever possible.

** This appliance conforms to IEC 61000-3-12 provided that the short-circuit power S_{sc} at the connection point of the customer system to the public power system is greater than or equal to 1140 kW. It is the responsibility of the installer or user of the appliance to ensure, if necessary after consultation with the network operator, that this appliance is only connected to a connection point with a S_{sc} value that is greater than or equal to 1140 kW.

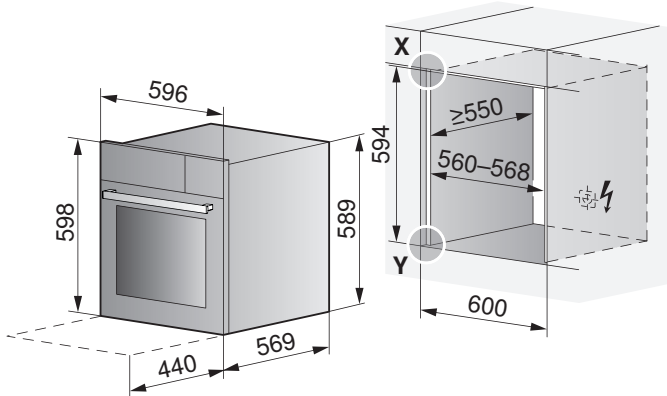
2.3 Air circulation diagram for CSTMSLQ60



To ensure good ventilation, the niche in which the appliance stands must have a supply air vent, position A and B, of a total of ≥80 to ≤850 cm², of which B must be ≥60 cm².

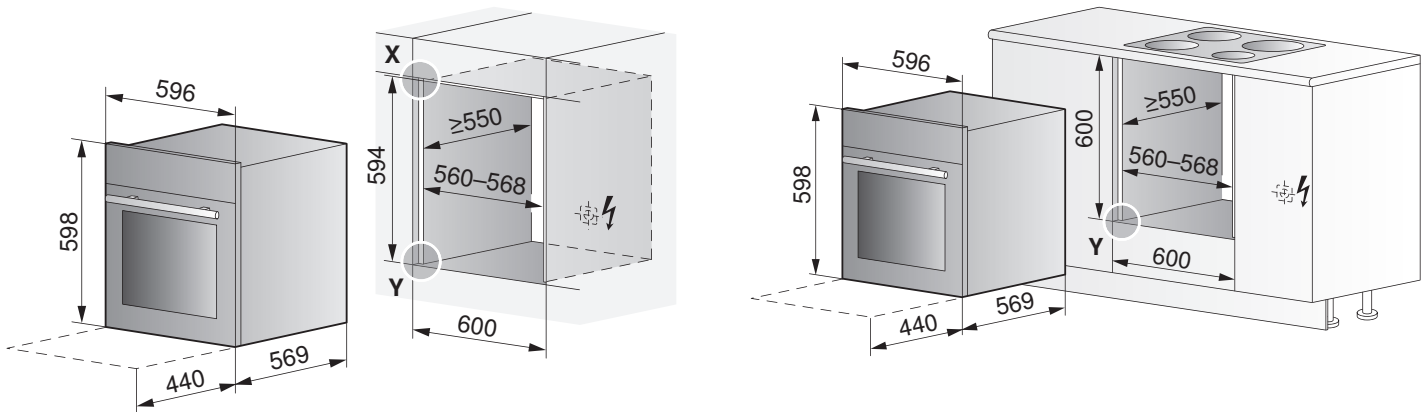


2.4 CSTMSLQ60 (23015)



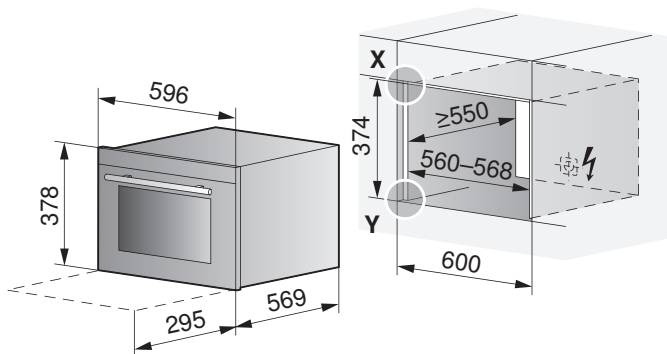
Front dimensions of the appliances: Detail X/Y (see page 10)

2.5 CSSL60 (23012)



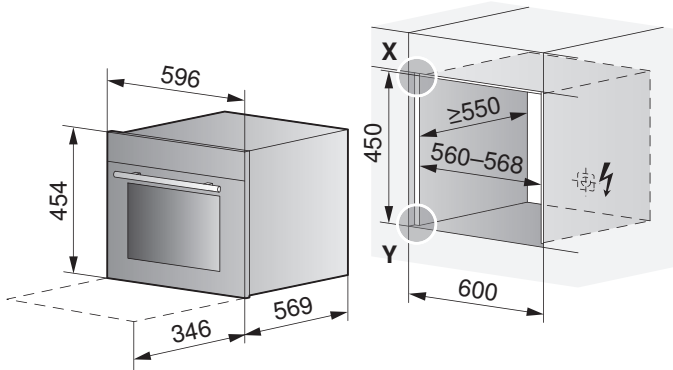
Front dimensions of the appliances: Detail X/Y (see page 10)

2.6 CSTHSL60 (23004)



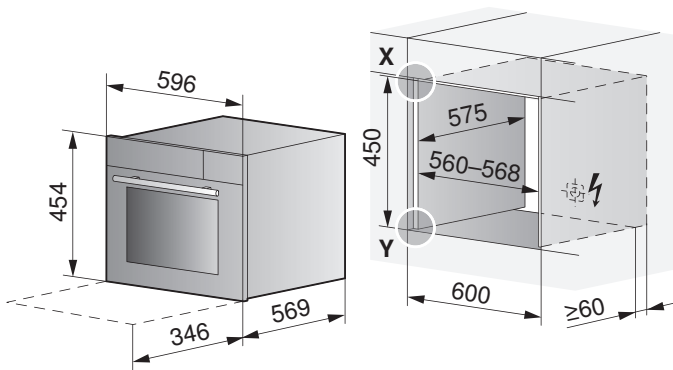
Front dimensions of the appliances: Detail X/Y (see page 10)

2.7 CSTXSL60 (23005/23006)



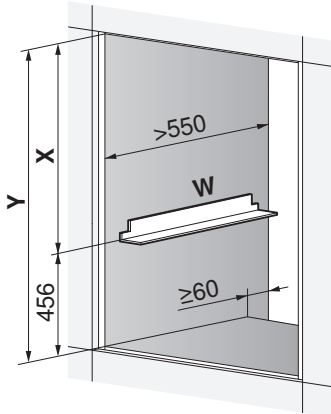
Front dimensions of the appliances: Detail X/Y (see page 10)

2.8 CSTXSL60F (23007/23008)

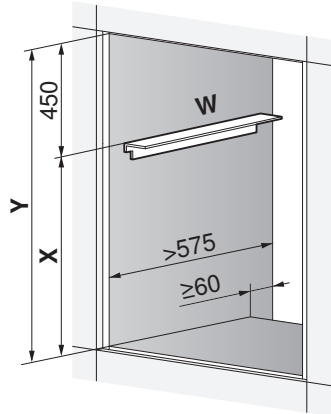


Front dimensions of the appliances: Detail X/Y (see page 10)

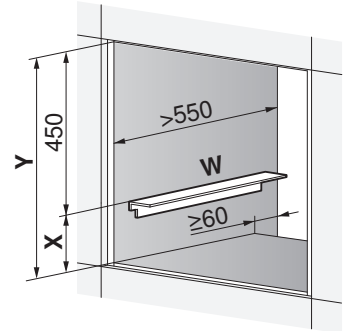
Below second appliance



Above second appliance



Above warming drawer



X = Height of second appliance

Y = Niche height

W = Angle set K50572

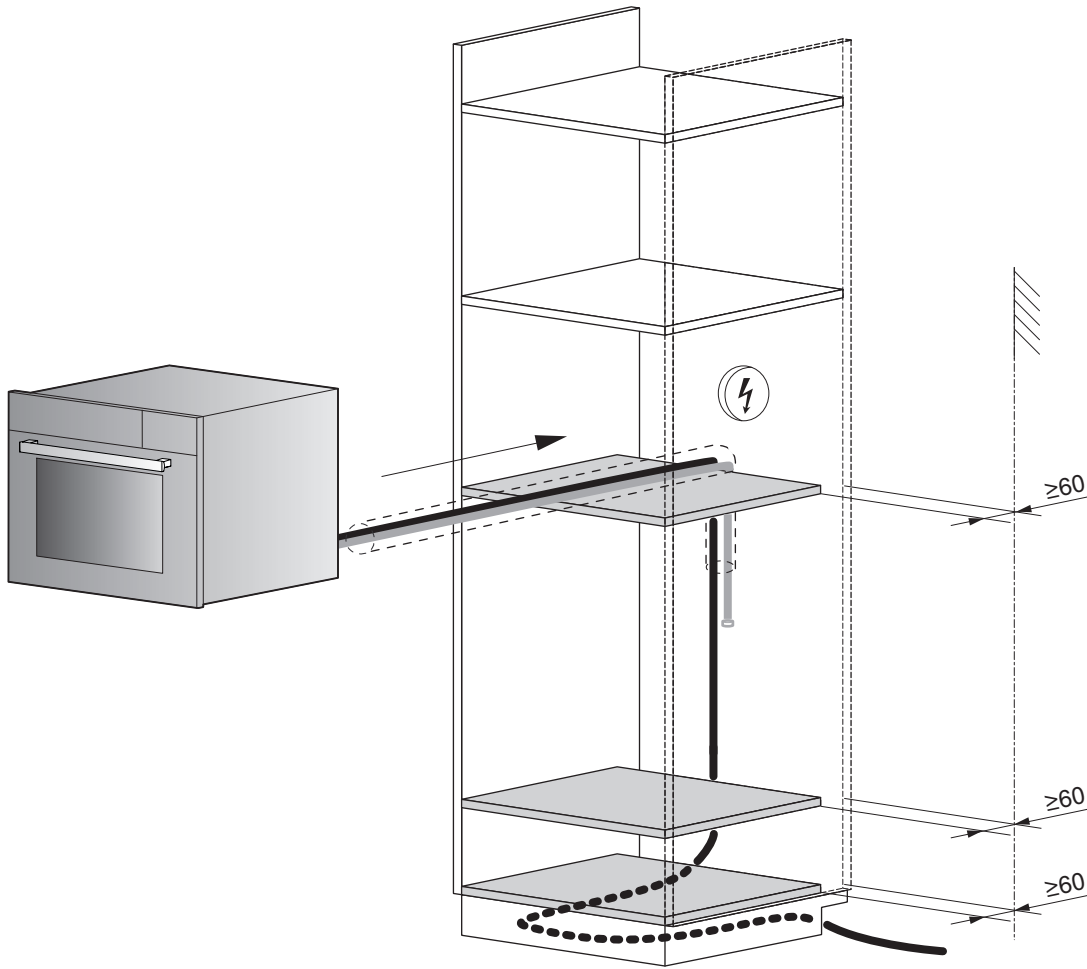


For an installation depth of under 575 mm, it is recommended that the appliance be installed below other appliances for space reasons.

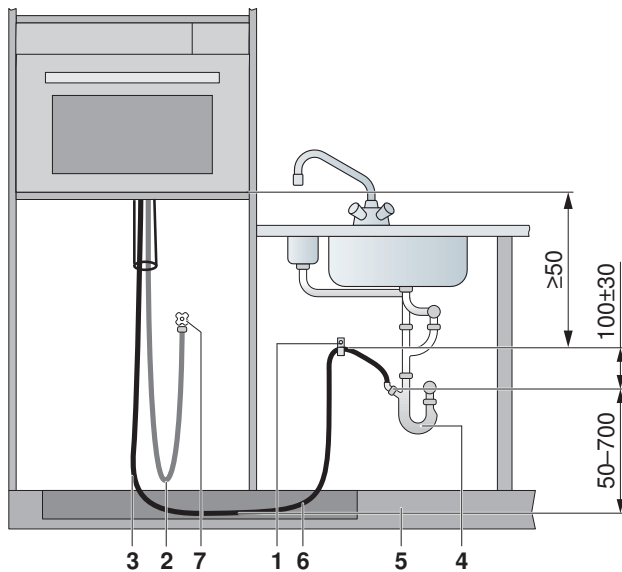
If installing with a second appliance in the same niche, use the angle set W (K50572).



Installation



Plumbing in



- 1 Hose clamp
- 2 Reinforced inlet hose 2 m, G 3/4"
- 3 Drain hose 3 m, internal diameter of connection 22 mm

On-site installations

- 4 Drain trap
- 5 Plinth panel
- 6 Hose fed through plinth
- 7 Cold water connection with stopcock

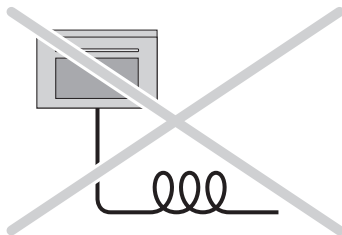
Drain

Length of drain hose: 3 m

- An optional 5 m drain hose (Art. no. 1012933) can be ordered if required.



The drain hose must not be lengthened or shortened.
The drop from the bottom of the appliance to the drain trap must be at least 50 mm.
The drain hose must be laid flat without any kinks.



Cold water connection inlet

Operating pressure: 0.1–1.0 MPa (1–10 bar)

Only use if water hardness >3° French hardness (>1.7° German hardness).

Length of reinforced hose: 2 m



Observe local water authority regulations.
Existing hoses that are defective must be replaced.
The reinforced hose must not be lengthened.
The stopcock must be accessible at all times.

3 Ovens

3.1 General notes



Efficient repairs can only be guaranteed if it is possible to uninstall the whole appliance at any time without causing any damage.
 To ensure adequate ventilation, the niche in which the appliance stands must have a supply air opening of min. 25 cm².

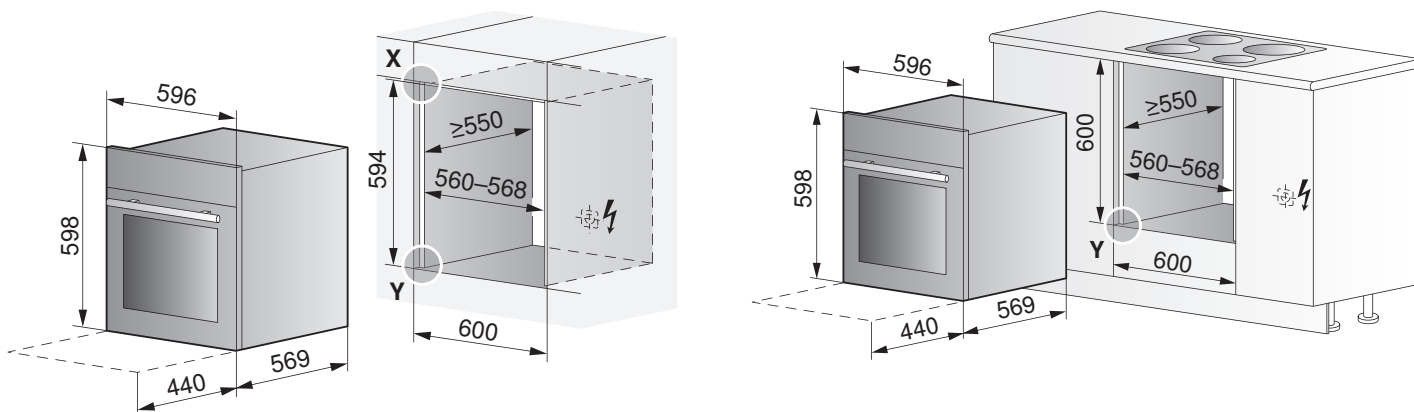
3.2 Electrical connection data



General information on the electrical connections and an overview of the positions can be found in section Overview of connections, ranges and dimensions (see page 5).

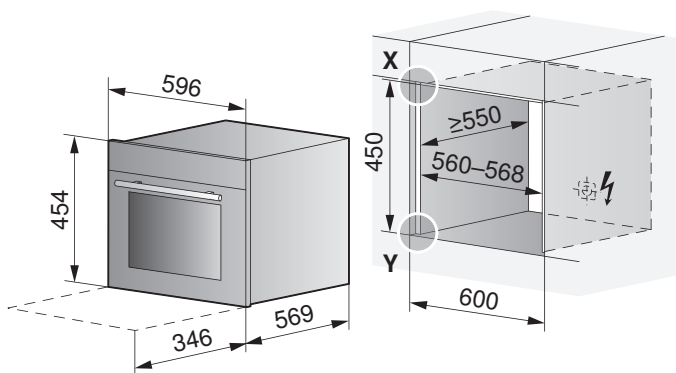
Appliance	Mains connection	Fuse	Rated load	Mains cable
BCSLP60, BCSL60, BCSE60, BCSEP60, BCXSLP60	220–240 V~ 50 Hz	16 A	BCSL, BCSLP, BCSE, BCSEP 3400 W BCXSLP: 3300 W	min. 1.8 m, without plug

3.3 BCSL60 (21061), BCSE60 (21016), BCSLP60 (21062), BCSEP60 (21060)



Front dimensions of the appliances: Detail X/Y (see page 10)

3.4 BCXSLP60 (21063)



Front dimensions of the appliances: Detail X/Y (see page 10)



4 Vacuum and warming drawers

4.1 General notes



Efficient repairs can only be guaranteed if it is possible to uninstall the whole appliance at any time without causing any damage.

4.2 Electrical connection data



Plan a separate inlet for the electrical connection for each appliance.



General information on the electrical connections and an overview of the positions can be found in section Overview of connections, ranges and dimensions (see page 5).

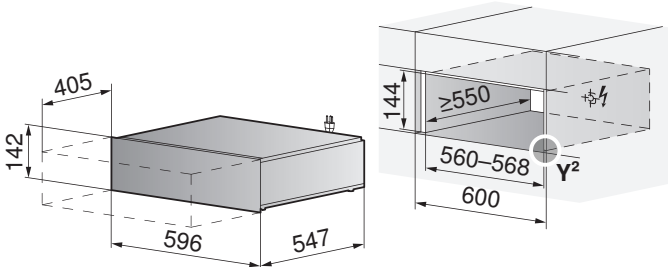
Appliance	Mains connection	Fuse	Rated load	Mains cable
Vacuum drawers	220–240 V~ 50 Hz	10 A	320 W	1.7 m, with plug
Warming drawers			810 W	

4.3 Vacuum drawers

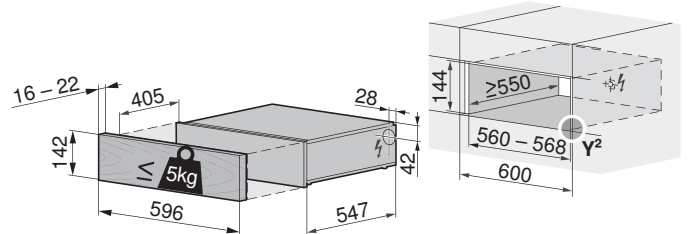


The mounting angles and anti-tip angle bracket set are not included in the scope of delivery. Order angle set K50572 and anti-tip set 1016692 at the same time.
 For installation next to warming drawer, order trim kit (edge protection) 1056472 at the same time.

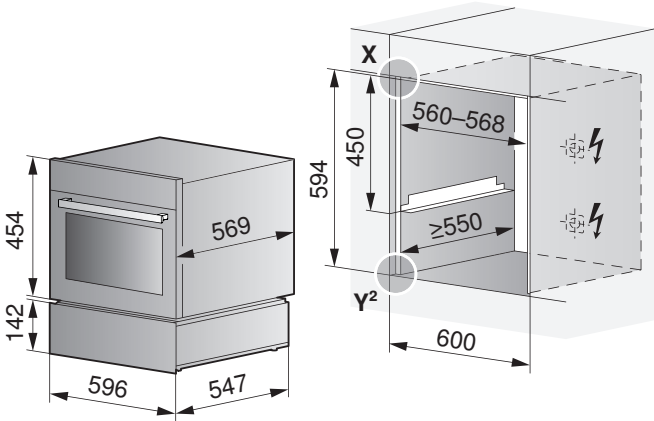
VS60144 (36001)
 Built-in solo



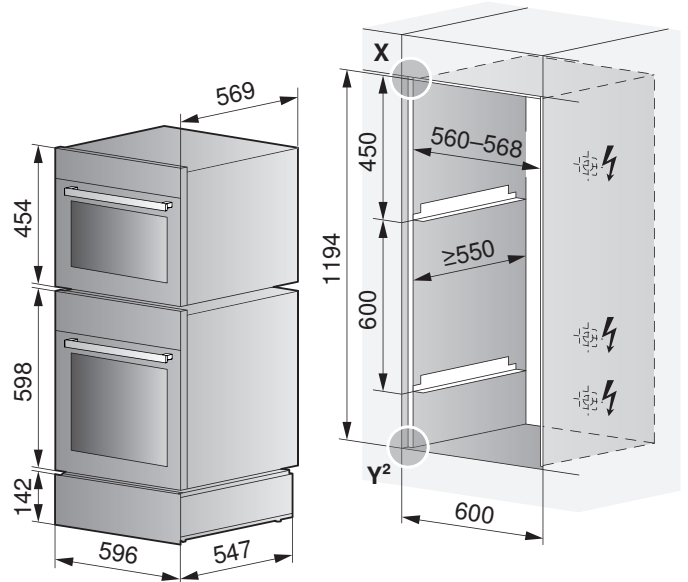
VS60144Vi (36003)
 Built-in solo, fully integrated



Installing with compact oven or steam cooker



Installing with oven & compact oven or steam cooker



Front dimensions of the appliances: Detail X/Y² (see page 10)

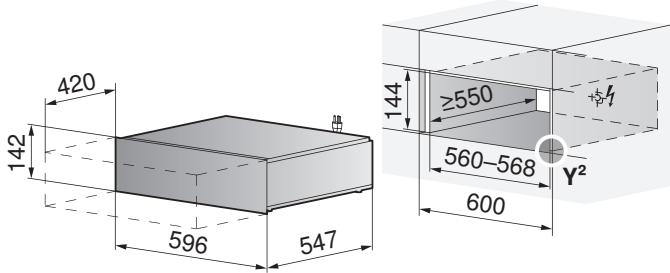
4.4 Warming drawers



The mounting angles are not included in the scope of delivery. Order angle set K50572 at the same time.

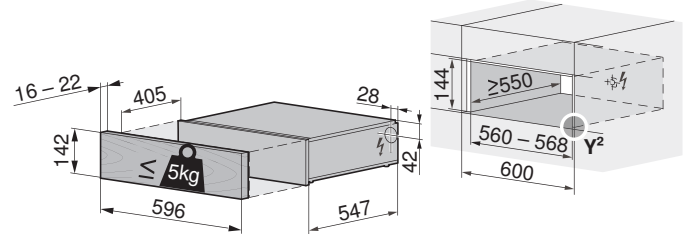
WS60144 (34017)

Built-in solo

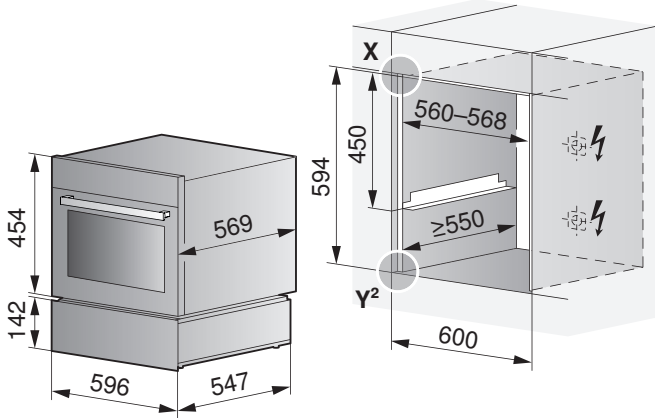


WS60144 (34022)

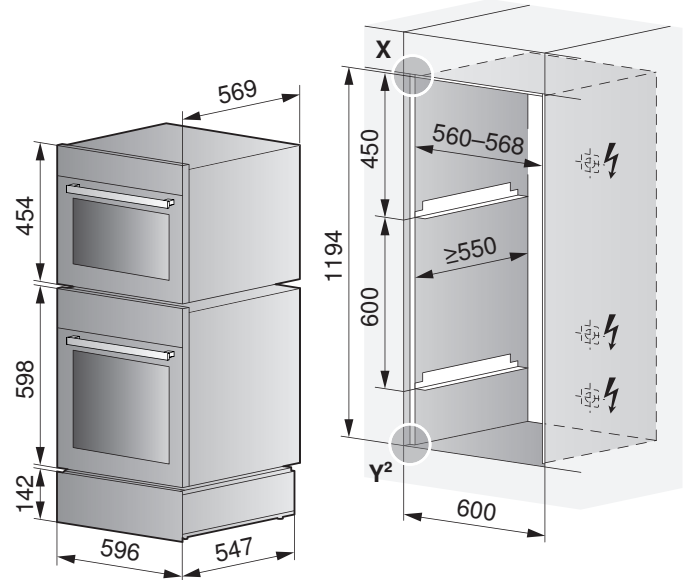
Built-in solo, fully integrated



Installing with compact oven or steam cooker



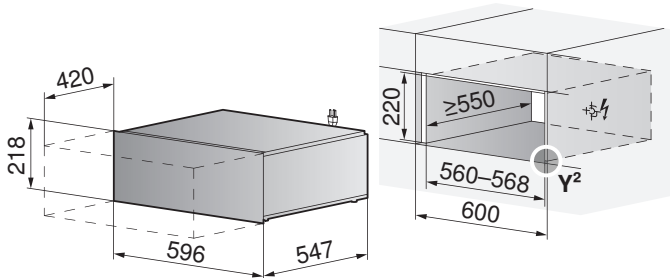
Installing with oven & compact oven or steam cooker



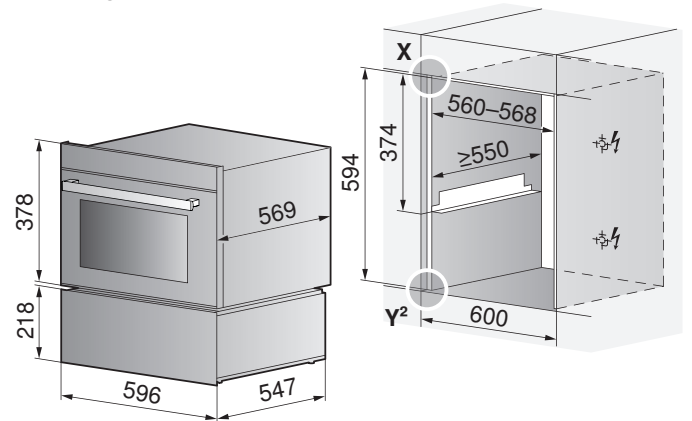
Front dimensions of the appliances: Detail X/Y² (see page 10)

WS60220 (34019)

Built-in solo



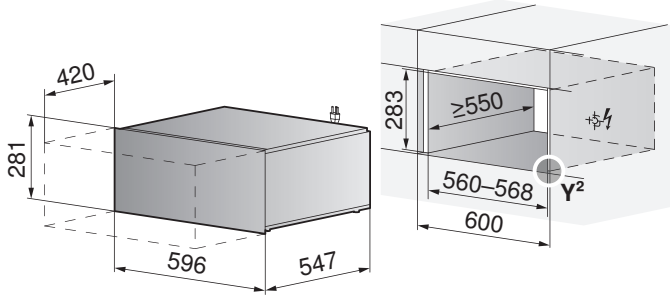
Installing with steam cooker



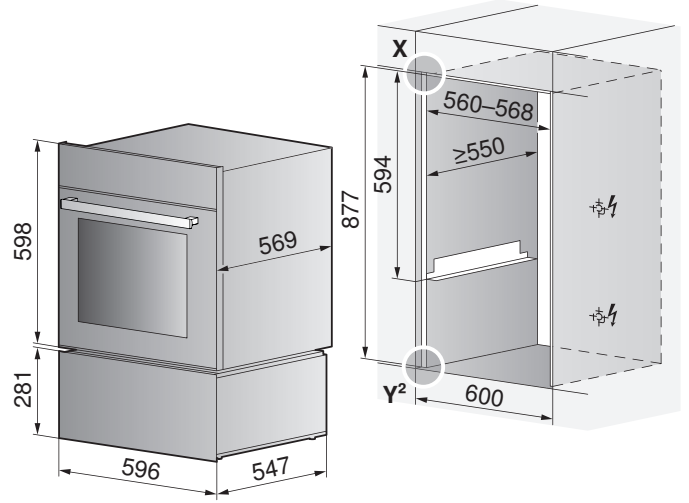


WS60283 (34020)

Built-in solo



Installing with an oven



Front dimensions of the appliances: Detail X/Y² (see page 10)

5 Coffee-Centers



Depth of fitted unit must be at least 530 mm.

5.1 General notes



Efficient repairs can only be guaranteed if it is possible to uninstall the whole appliance at any time without causing any damage.

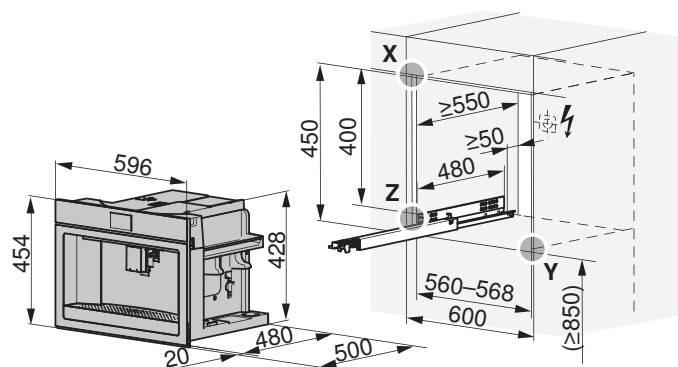
5.2 Electrical connection data



General information on the electrical connections and an overview of the positions can be found in section Overview of connections, ranges and dimensions (see page 5).

Mains connection	Fuse	Rated load	Mains cable
220–240 V~ 50–60 Hz	10 A	1350 W	1.8 m, with plug

5.3 Supremo XSL (25004)



Front dimensions of the appliances: Detail X/Y/Z (see page 10)

6 Combination possibilities



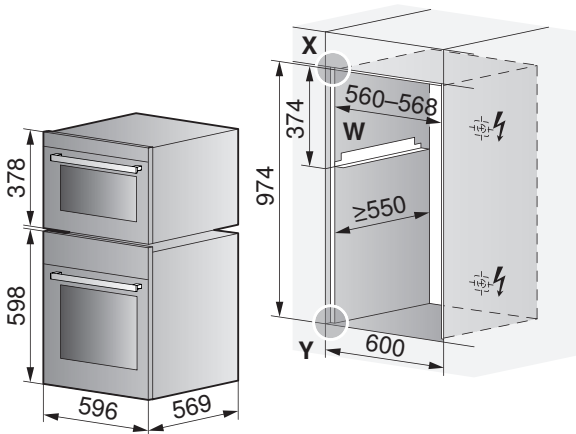
General information on the electrical connections and an overview of the positions can be found in section Overview of connections, ranges and dimensions (see page 5).

6.1 Oven & steam cooker

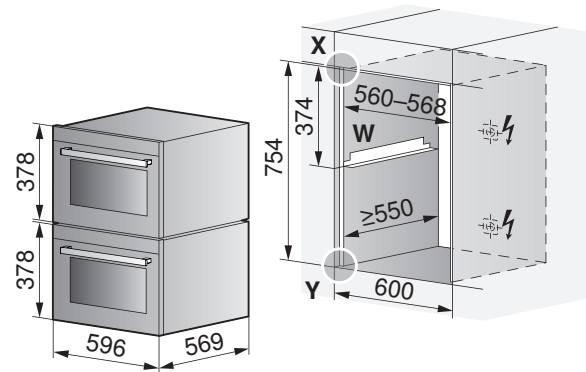


If installing with a second appliance in the same niche, use the angle set **W** (K50572).

Oven & CSTHSL60

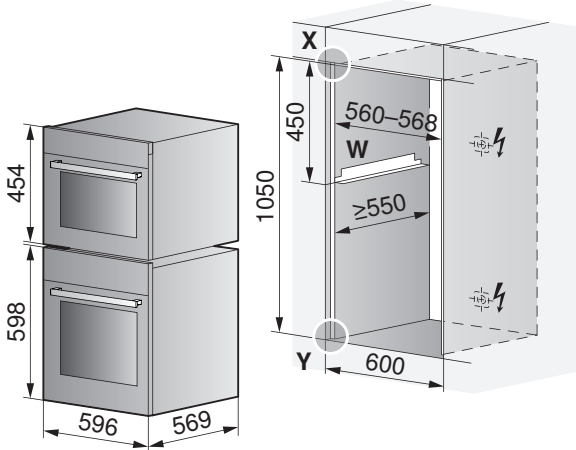


CSTHSL60 & steam cooker

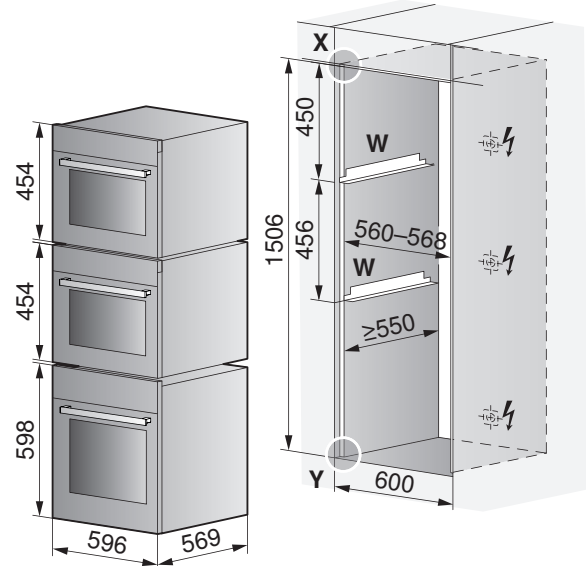


- Possible in base unit without hob.
- Possible in base unit with hob given 30 mm worktop (with ventilation grille only, see section Accessories (see page 102)).

Oven & compact oven or CSTXSL60



Oven & compact oven & CSTXSL60

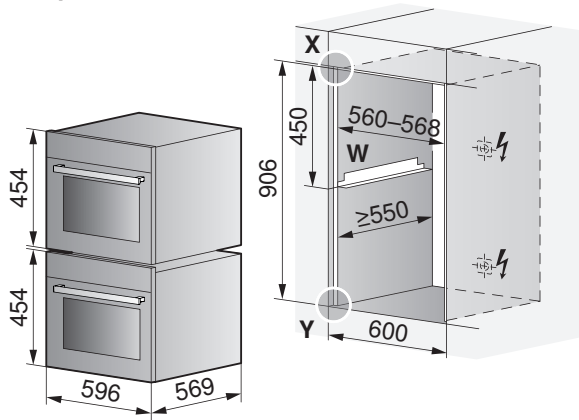


Front dimensions of the appliances: Detail X/Y (see page 10)



If installing with a second appliance in the same niche, use the angle set **W** (K50572).

Compact oven & CSTXSL60



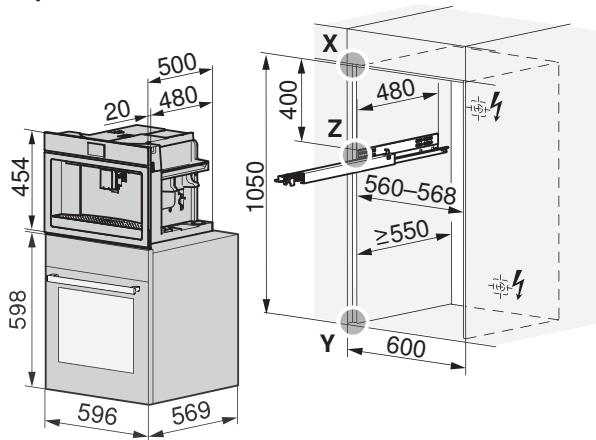
Front dimensions of the appliances: Detail X/Y (see page 10)

6.2 Oven & coffee-center

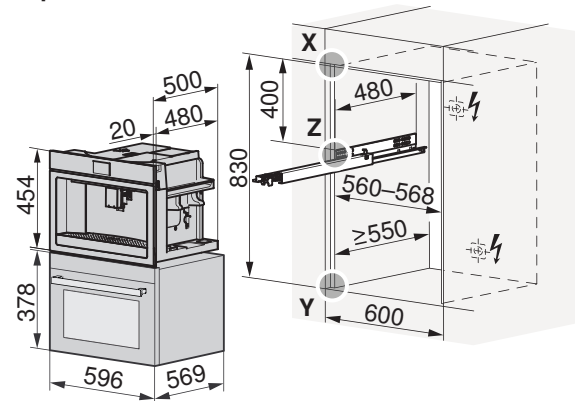


The telescopic runner for the assembly and operation is included in the scope of delivery.

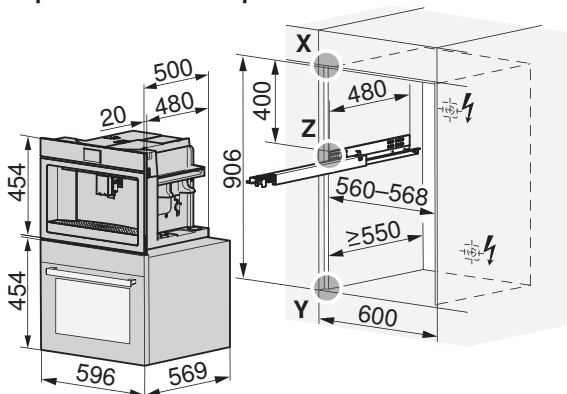
Supremo XSL & oven



Supremo XSL & steam cooker



Supremo XSL & compact oven / steam cooker



Front dimensions of the appliances: Detail X/Y/Z (see page 10)



7 Glass ceramic hobs – induction, wok, teppanyaki

7.1 General notes



It is imperative for induction hobs to have adequate ventilation. See sections Installation without protective plate (see page 47) and Installation with protective plate (see page 49).

This is guaranteed with a worktop depth of 20 mm to 40 mm.

If a drawer is installed directly underneath, a protective plate is recommended in the vicinity of the mains cable and to protect the ventilation openings. The ventilation protective plate set can be used for this purpose. Accessories (see page 102).

With a front-facing air gap of 3 mm, a ventilation protective plate with seal is essential. Installation with protective plate (see page 49).



Efficient repairs can only be guaranteed if it is possible to uninstall the whole appliance at any time without causing any damage.

The layout of the hobs to be installed may differ from the hobs illustrated here!

7.2 OptiGlass coating

Halogen or LED light bulbs are recommended for illuminating hobs with the OptiGlass coating. The use of fluorescent tube lighting to illuminate hobs with the OptiGlass coating causes the glass surface to shimmer.

7.3 Electrical connection data



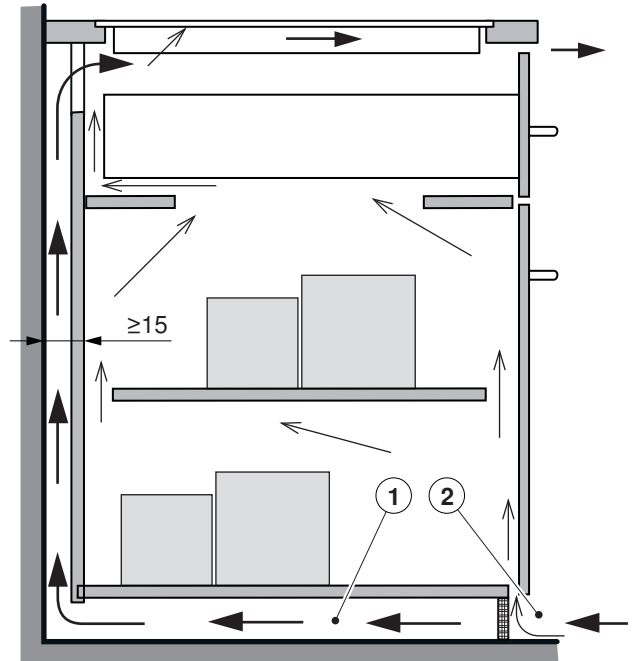
General information on the electrical connections and an overview of the positions can be found in section Overview of connections, ranges and dimensions (see page 5).

Appliance	Mains connection	Fuse	Rated load	Mains cable
GK16TIWSZ	220–240 V~50–60 Hz	16 A	3000 W	1.7 m, without plug
GK17TIYSZ			2800 W	
GK27TIMSZ			3700 W	
CookTopInduction V4000 (31115), GK47TIMPSZ, GKD46TIMASZO	220–240 V~50–60 Hz	32 A	7400 W	
CookTopInduction V6000 (31114), GK57TIMSZO		48 A	11100 W	
CookTopInduction V6000 (31114)	380–415 V 3N~50–60 Hz	16 A	7400 W	
CookTopInduction V6000 FullFlex (31134)	220–240 V~50–60 Hz	32 A	7400 W	
		48 A	11100 W	
	380–415 V 3N~50–60 Hz	16 A		
CookTopInduction V6000 FullFlex (31132)	230 V 50 Hz	32 A	7400 W	

7.4 Ventilation

In order to guarantee good ventilation, a space of ≥ 10 mm height is necessary beneath the appliance.

1. The rear panel of the base unit must be open around the work surface cut-out to guarantee continuous air circulation via the ventilation slits.
The air must be drawn in from outside the cabinet and be able to circulate freely from inside the cabinet to the hob.
2. Alternatively, a concealed fresh air supply can ensure air circulation inside the cabinet.
In order that enough cold air can be drawn in, there must be a continuous circulation of fresh air that extends outside the cabinet.
The air must be drawn in from outside the cabinet and be able to circulate freely from inside the cabinet to the hob.





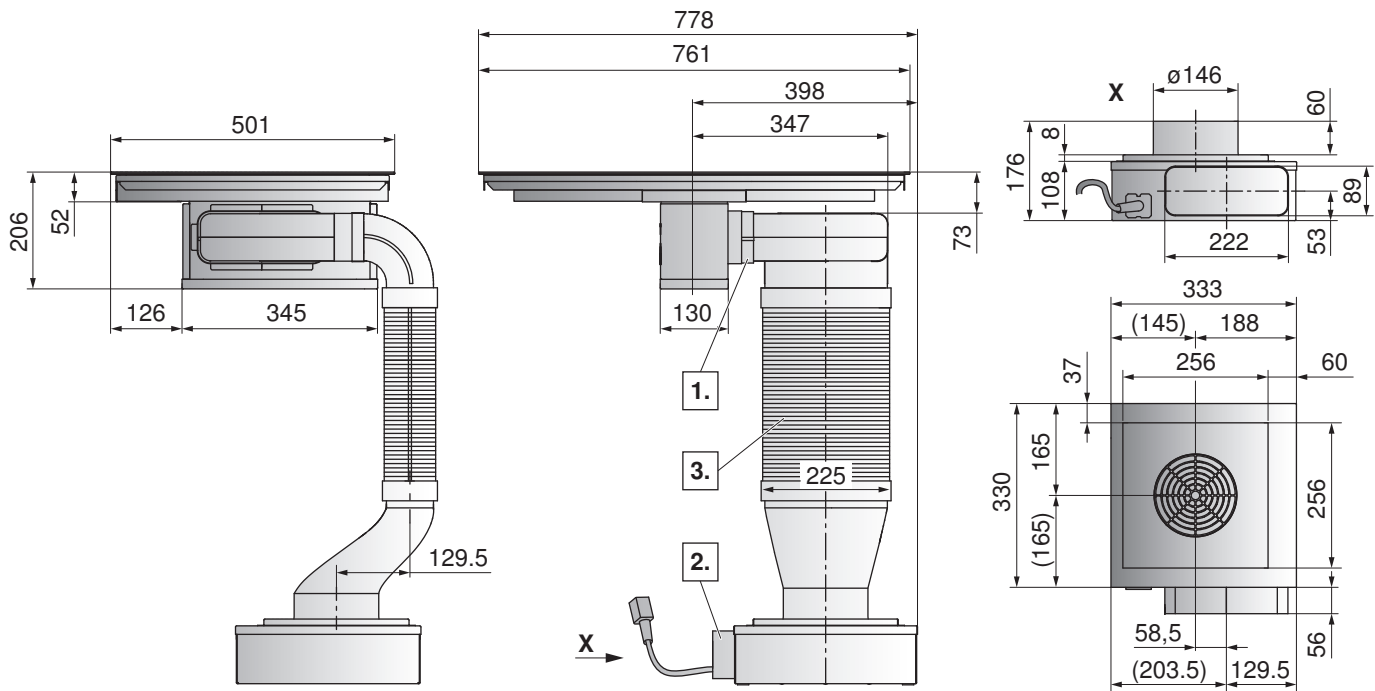
7.5 Induction hob with integrated range hood

GKD46TIMASZO - FUSION (31094)

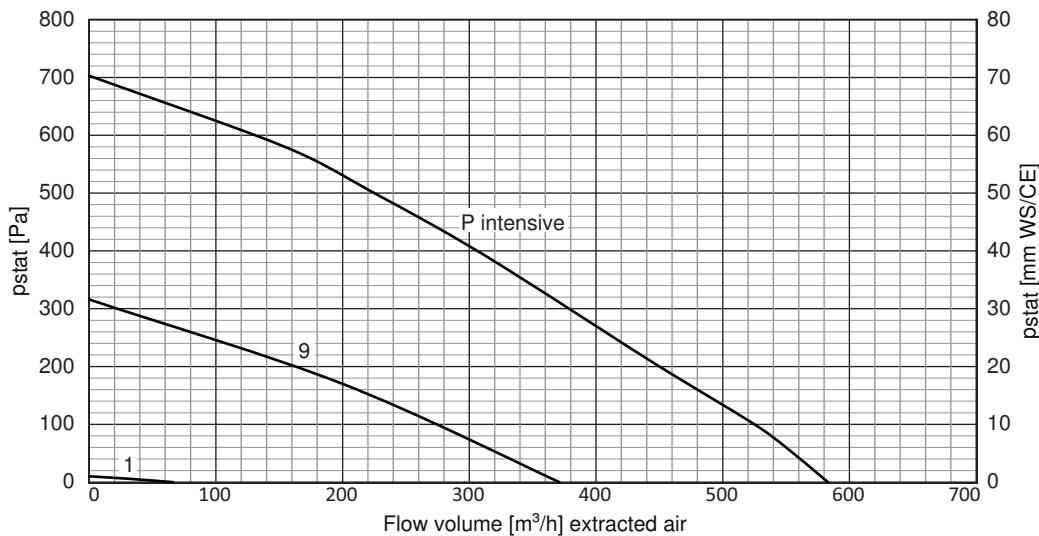
Dimensions



All plastering, plasterboarding, wall papering and painting work is to be carried out prior to installing the appliance. Ensure that the material is sufficiently stable. Plan a removable base plate or service flap for fan motor (and recirculation box in the case of the recirculation mode). For the recirculation mode, ensure sufficient ventilation so that moisture can escape. Plan in suitable material/wood.



1. The exhaust ducting can be to the left or right.
2. The fan motor can be turned, this changes the installation type.
3. Depending on space requirements, the position of the fan motor can be adjusted by shortening the flat channel.

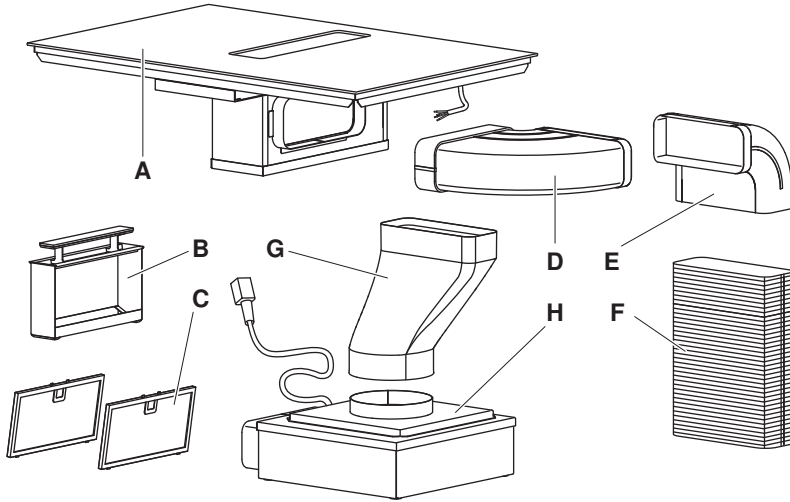




Scope of delivery



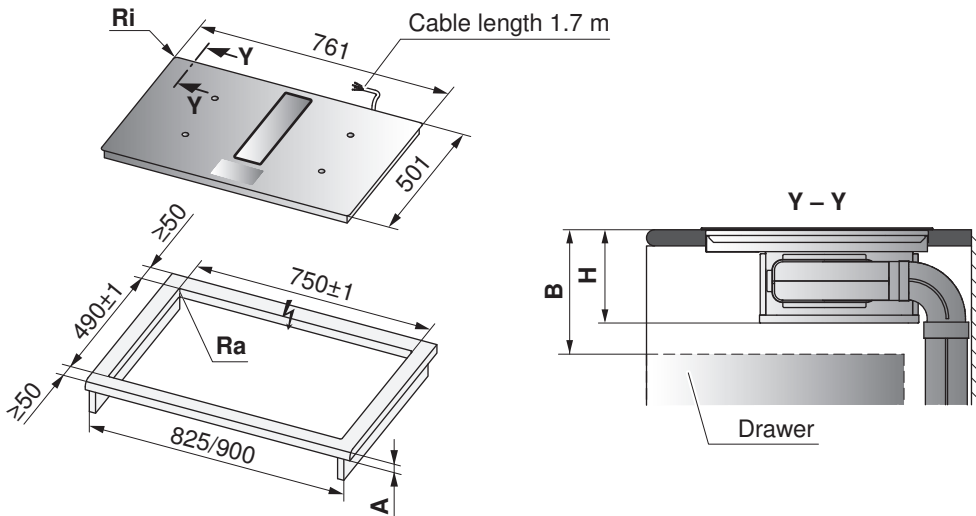
The items included in the scope of delivery such as the flat channel and elbow are made of metal.



- A Hob
- B Filter cassette
- C 2x grease filter
- D Elbow 90°, horizontal
- E Elbow 90°, vertical
- F Flat channel, flexible
- G Offsetting end piece
- H Fan motor

Surface-mounted installation

The layout of the hob to be fitted may differ from the hob illustrated!



Type	A Depends on producer	B	H	Corner radius Ra/Ri
GKD46TIMASZO	20–70 mm	≥212 mm	202 mm	5/1.5 mm

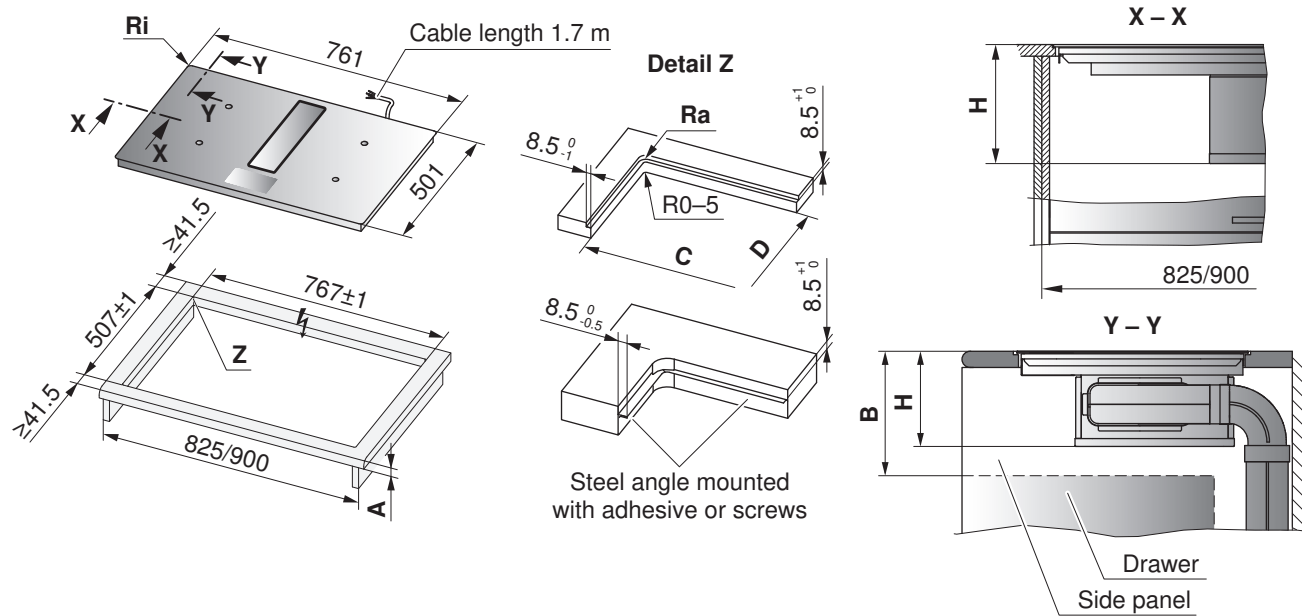
- A Worktop depth
- B Required clearance for service replacement over the entire cut-out area.
- H Dimension from the top of the work surface to the underside of the hob
- Ri Corner radii of appliance
- Ra Outer corner radii of cut-out



The intermediate base must be removable from below.

Flush installation

The layout of the hob to be fitted may differ from the hob illustrated!



Type	A Depends on producer	B	C/D	H	Corner radius Ra/Ri
GKD46TIMASZO	20–70 mm	≥400 mm	750/490	206 mm	5/1.5 mm

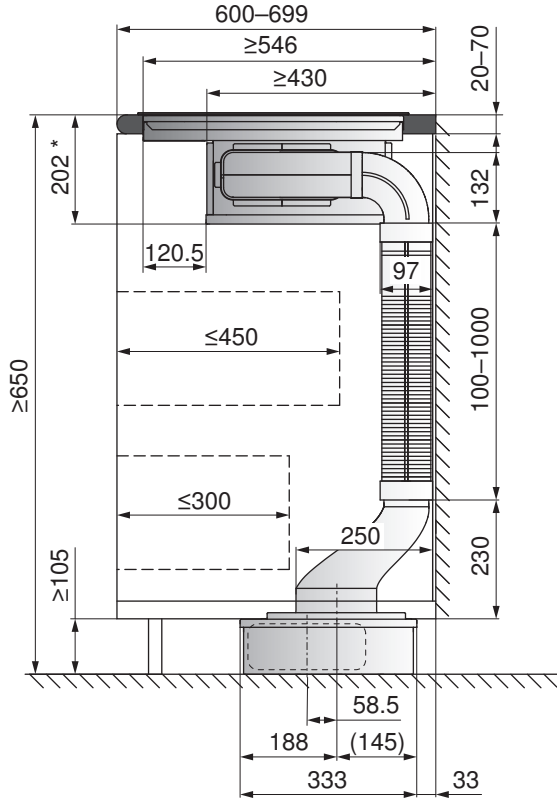
- A** Worktop depth
- B** Required clearance for service replacement over the entire cut-out area.
- H** Dimension from the top of the work surface to the underside of the hob
- Ri** Corner radii of appliance
- Ra** Outer corner radii of cut-out



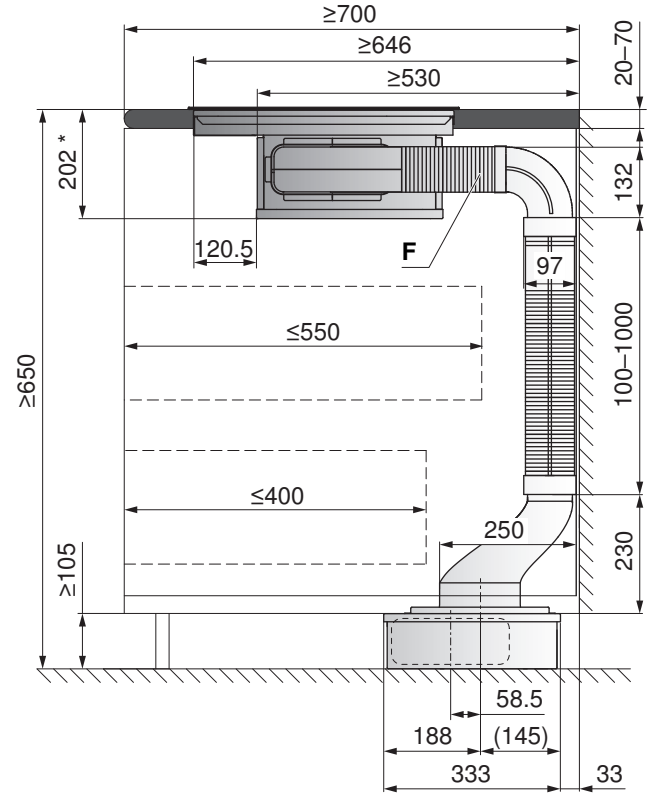
The intermediate base must be removable from below.

Installation overview base unit

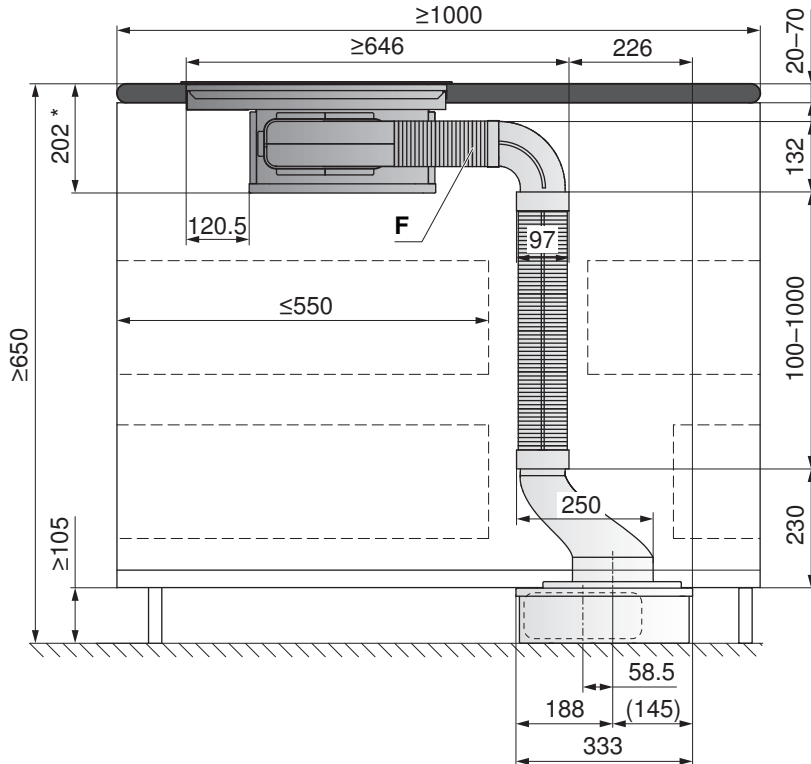
Wall installation with depth of ≥ 600



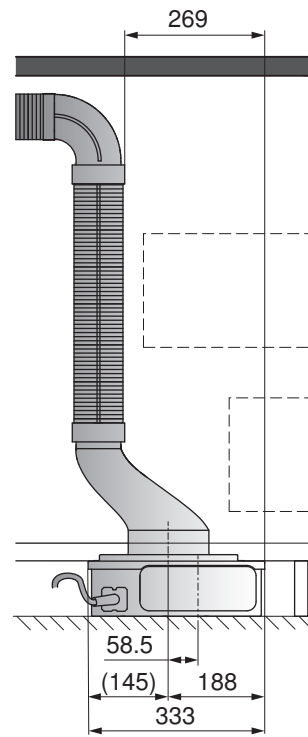
Wall/island installation with depth of ≥ 700



Island installation with depth of ≥ 1000



Variant with rotated fan motor



* Surface-mounted installation (flush installation 206 mm)

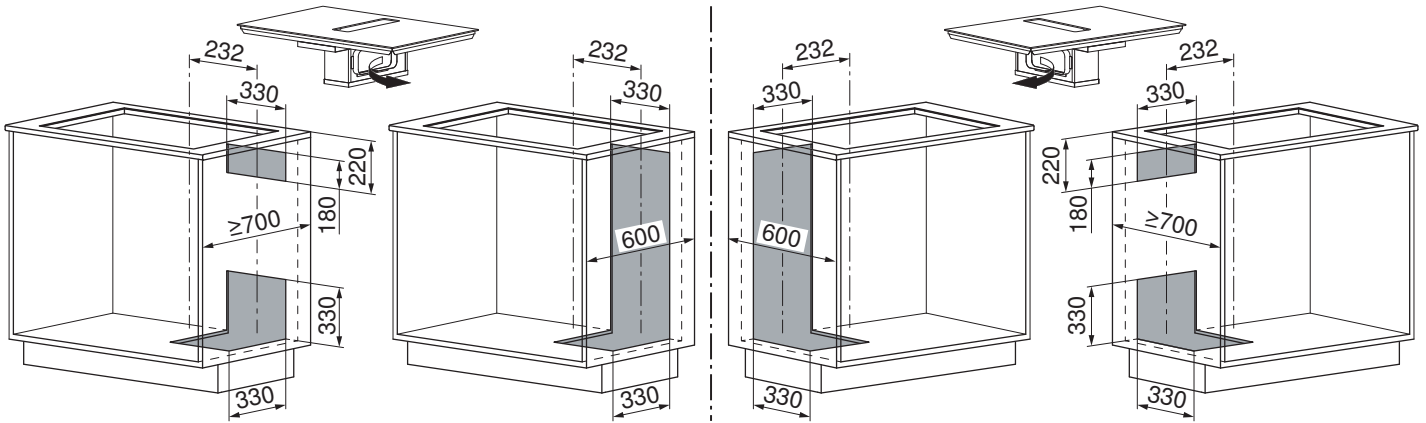


Flat channel F is not included in the scope of delivery. Order flat channel 1046629 at the same time.

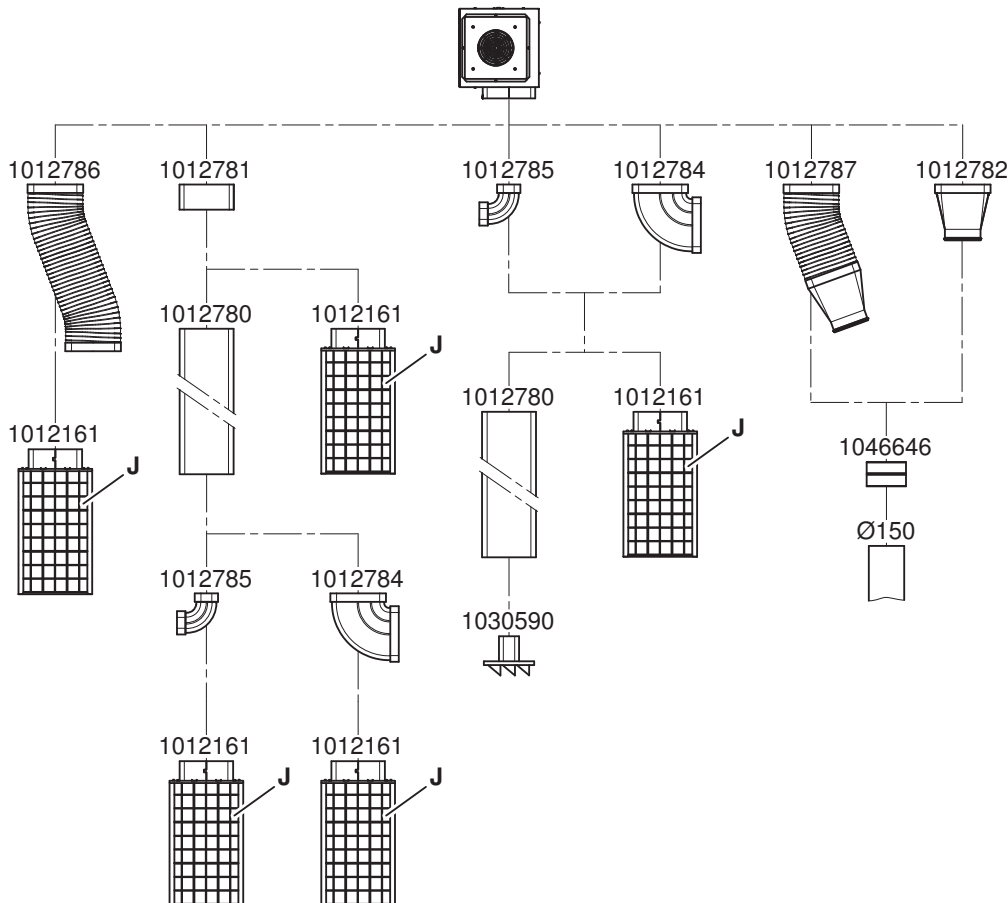
Installation

► Prepare base according to intended installation variant.

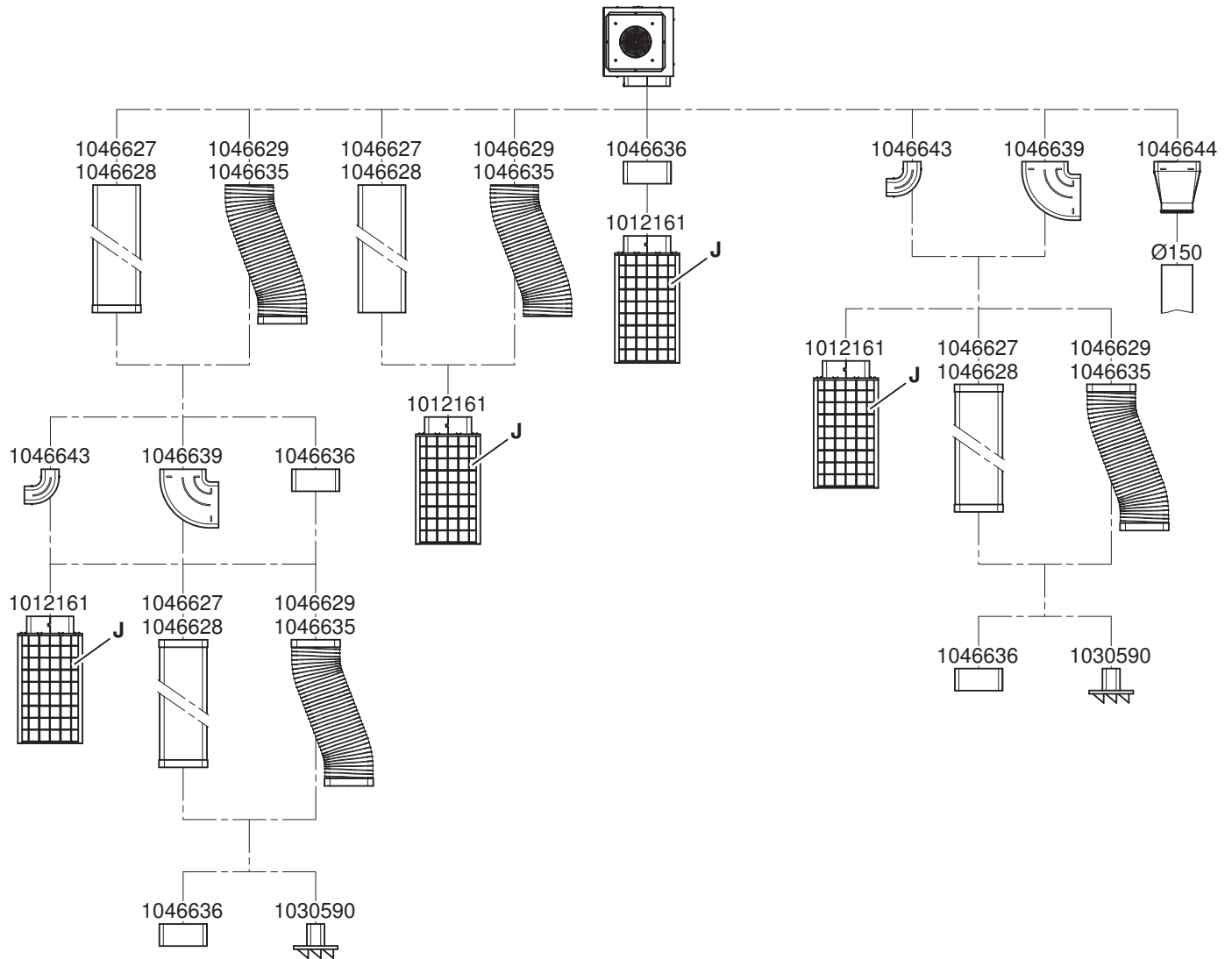
- Provide for an inspection opening for service replacement purposes as shown in the diagrams, observe exhaust air duct to left or right.



Plastic accessories



Metal accessories



The duct spacers 1077495 prevent the narrowing or compression of the air duct. Hence the use of duct spacers is necessary if accessory 1046627/1046628 is embedded in concrete.

Extraction mode

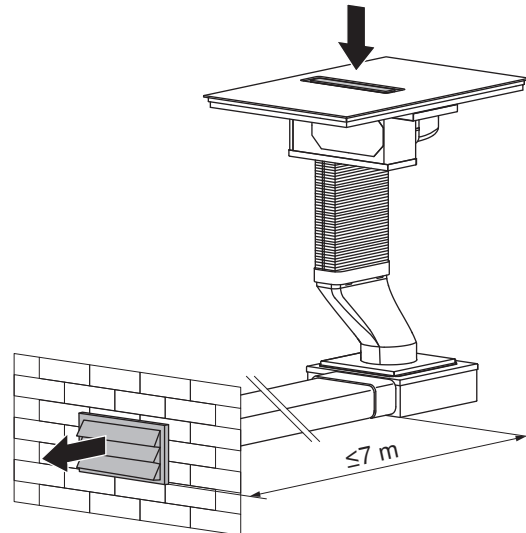


There is a danger of toxic fumes developing if the range hood is operated at the same time as an ambient air-dependent firing system!



The conversion kits and suitable flat channel or pipe systems are available for order as accessories.

- Only use pipes with a smooth inner surface or flexible duct hoses made from non-flammable materials for exhaust duct-work.
- To achieve the greatest possible air extraction with the lowest noise levels, please observe the following:
 - Standard ventilation outlet is by means of flat channel or pipe.
 - The diameter of the exhaust duct pipe must not be less than $\varnothing 150$.
 - The exhaust ducting should be as short and straight as possible.
 - Only use connection elbows with large radii.
 - The exhaust ducting must not be kinked or compressed.
 - Make sure that all connections are secure and airtight.

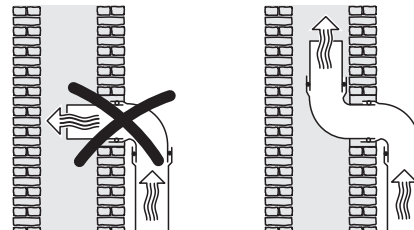


Any constriction of the airflow will reduce extraction performance and increase operating noise.

If the exhaust duct is to be routed outdoors, we recommend installing a telescopic wall pipe H42066.

If the exhaust air is to be ducted into a chimney flue, the intake piece must be aligned with the flow direction of the flue.

- If the exhaust duct runs through cool rooms, lofts, etc., there may be sharp variations in temperature in individual areas. Vapour and condensation is to be expected. This makes it therefore necessary to insulate the exhaust ducting / air duct.



Recirculation mode



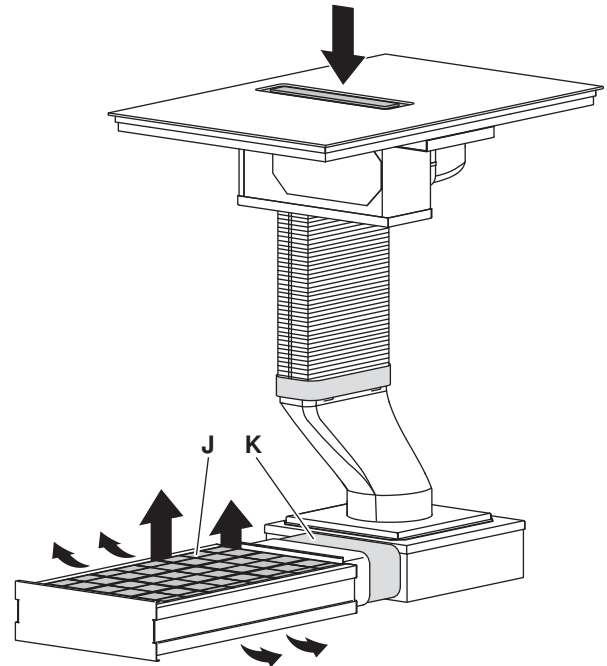
The conversion kits and suitable flat channel systems are available for order as accessories.

For recirculation mode, ensure access for maintenance purposes and also ensure the blow-out opening is at least 500 cm² (e.g. base recess or lamella base).

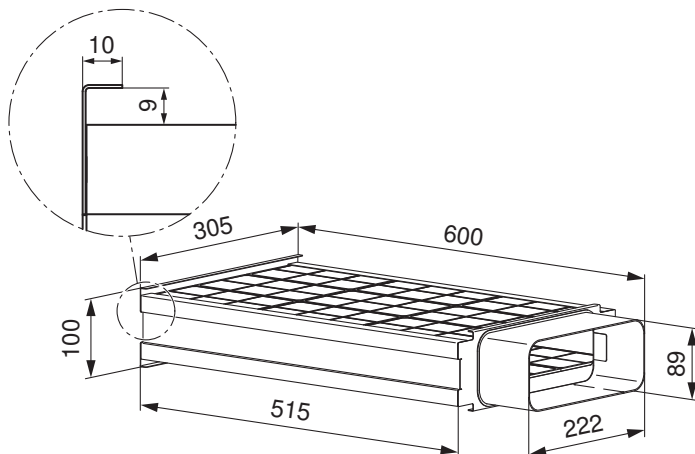
If an exhaust air connection is not structurally possible, the range hood must be set up for recirculation operation.

Recirculation mode with recirculation box

- ▶ Connect the channel connector **K** to the recirculation box **J**.
- ▶ Hold the \odot button depressed for 1 second.
 - An acoustic signal is emitted and a message appears in the display.
- ▶ Confirm with OK.
- ▶ Touch \odot .
- ▶ Select the «Ventilation» user setting.
- ▶ Touch \odot to change the mode to recirculation air.
- ▶ Confirm the setting with OK.
 - The setting is saved.



Recirculation box **J** with article no. 1012161 contains activated charcoal and is required for the recirculation mode. No additional activated charcoal filters may be built into the range hood system.

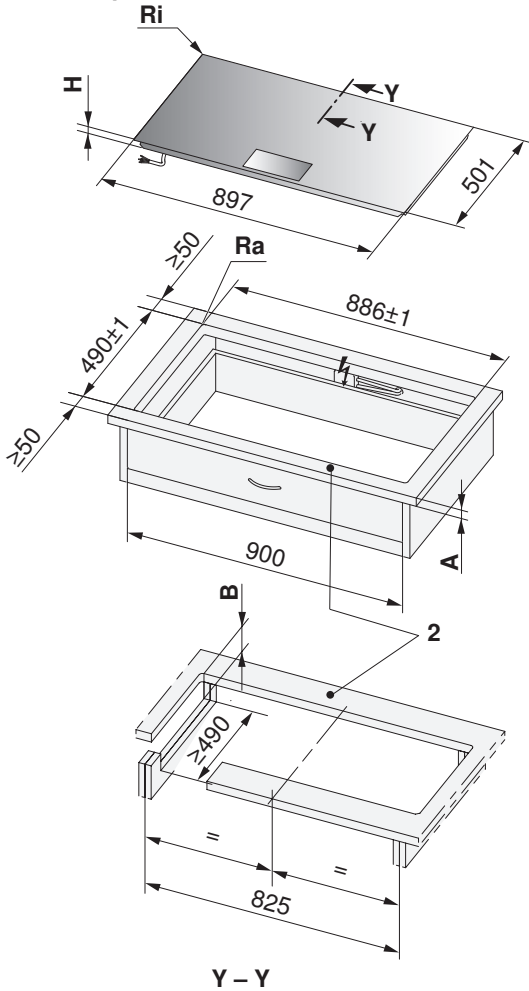


7.6 Surface-mounted installation with «DualDesign»

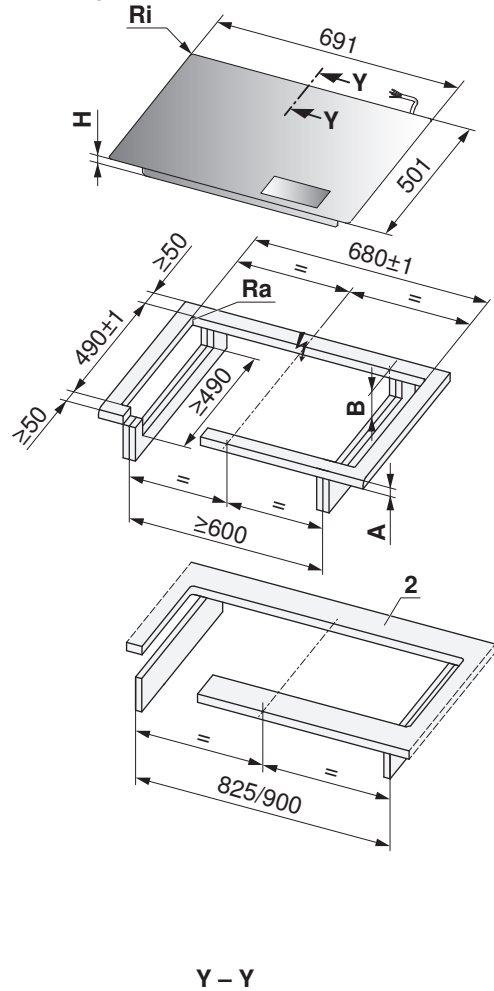


- Corner radii of cut-out, aim for ≤ 5 mm
- Corner radii of appliance 1.5 mm

CookTopInduction V6000 - FullFlex (31134)



CookTopInduction V6000 - FullFlex (31132)



* The required clearance must be observed!

2 The front and rear pegs are reinforced underneath. The strut width is determined by the producer of the stone worktop. The minimum peg width can vary according to the properties of the stone.

Type	A Depends on producer	B	H	Corner radius Ra/Ri
CookTopInduction V6000 - FullFlex	≤ 40 mm	≥ 82 mm	72 mm	5/1.5 mm

A Worktop depth

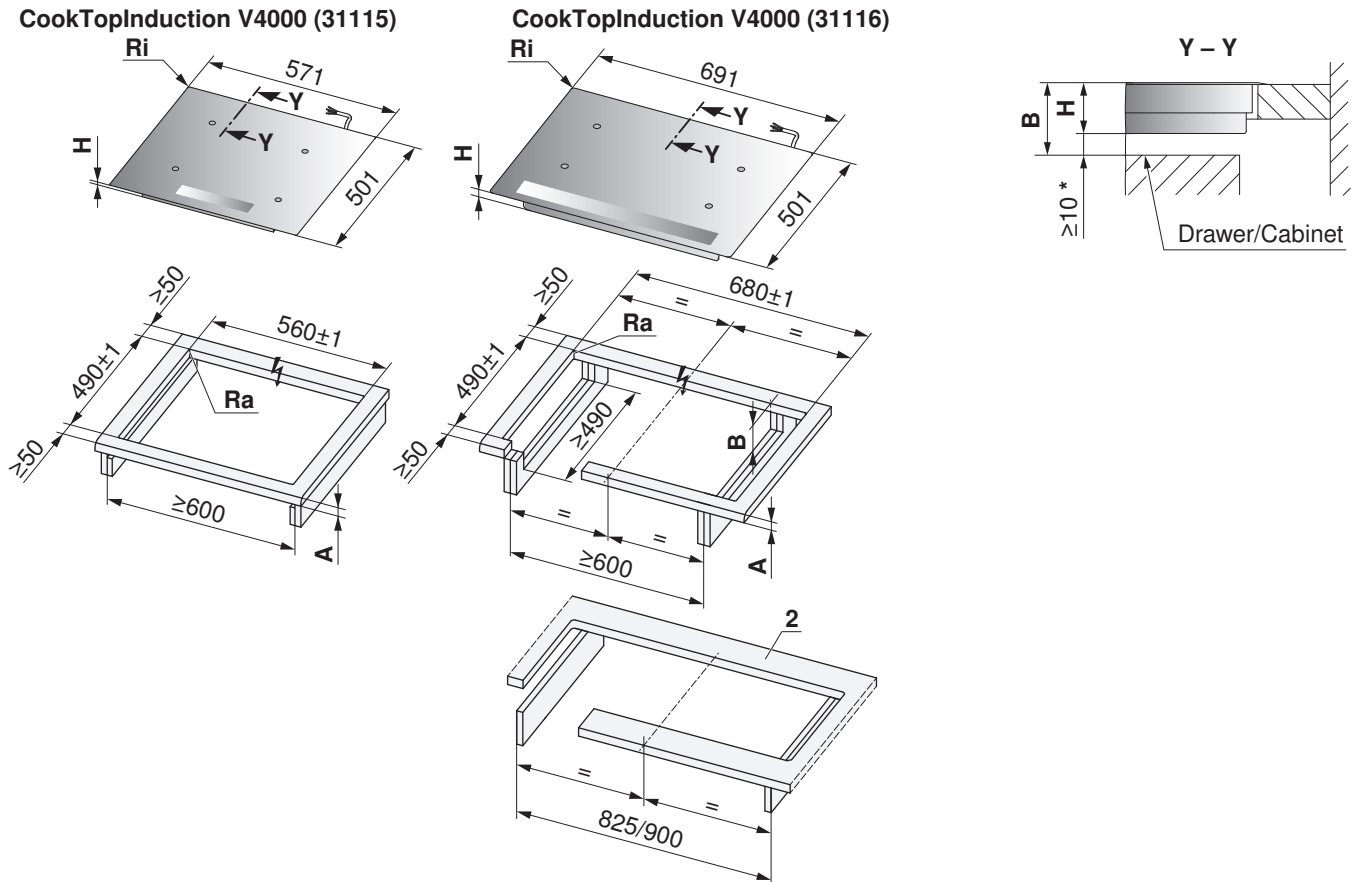
B Required clearance for service replacement over the entire cut-out area.

H Dimension from the top of the work surface to the underside of the hob

Ri Corner radii of appliance

Ra Outer corner radii of cut-out

Surface-mounted installation with «DualDesign»



* The required clearance must be observed!

2 The front and rear pegs are reinforced underneath. The strut width is determined by the producer of the stone worktop. The minimum peg width can vary according to the properties of the stone.

Type	A Depends on producer	B	H	Corner radius Ra/Ri
CookTopInduction V4000	≥20 mm	≥60 mm	50 mm	5/1.5 mm

A Worktop depth (only applies in combination with directly built-under oven / steam cooker with type of construction 60-600, without Combi-Steam MSLQ)

B Required clearance for ventilation and service replacement over the entire cut-out area.

H Dimension from the top of the work surface to the underside of the hob (ventilation opening)

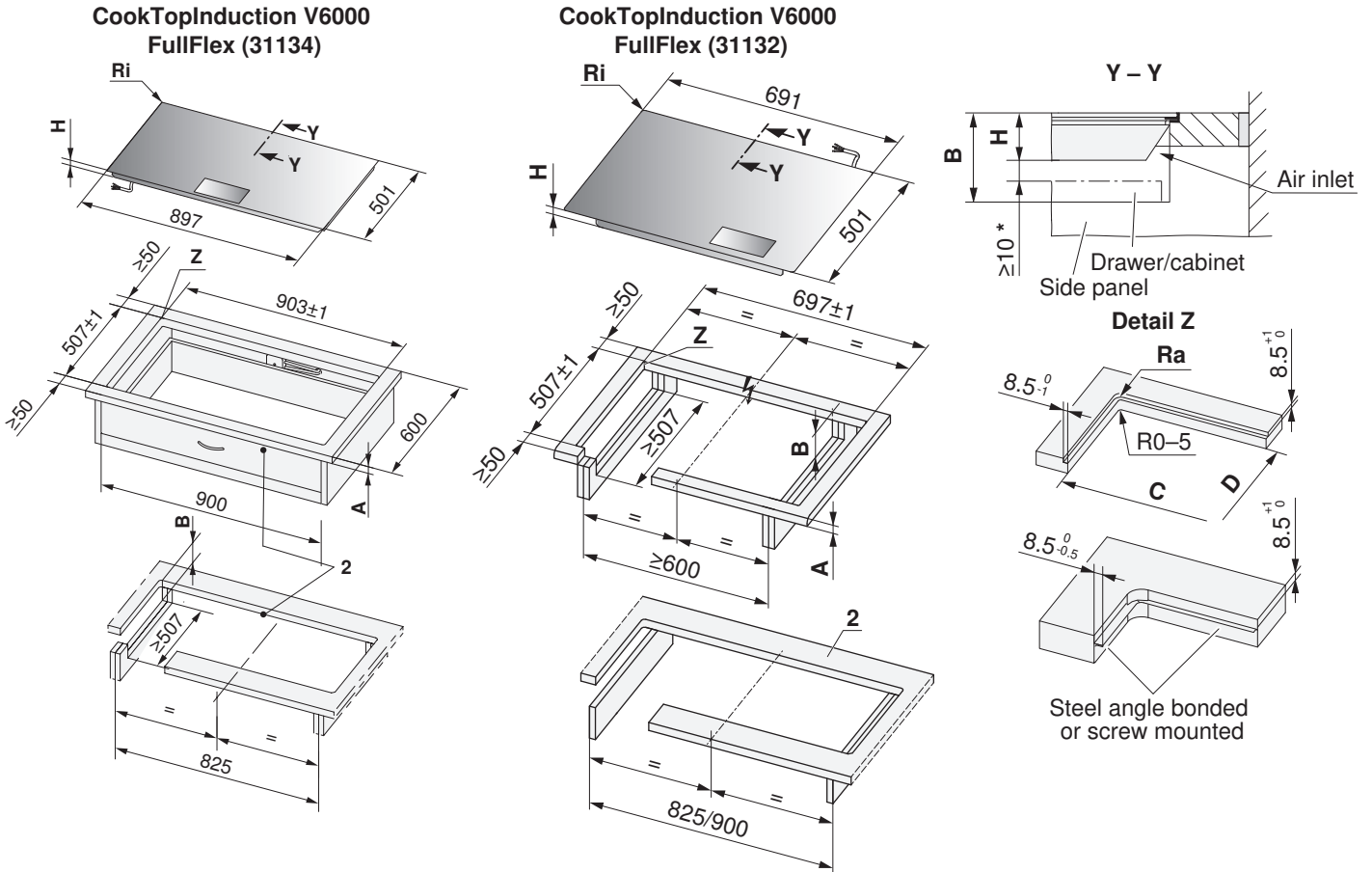
Ri Corner radii of appliance

Ra Outer corner radii of cut-out

7.7 Flush installation with «DualDesign»



Hob must be removable from below!



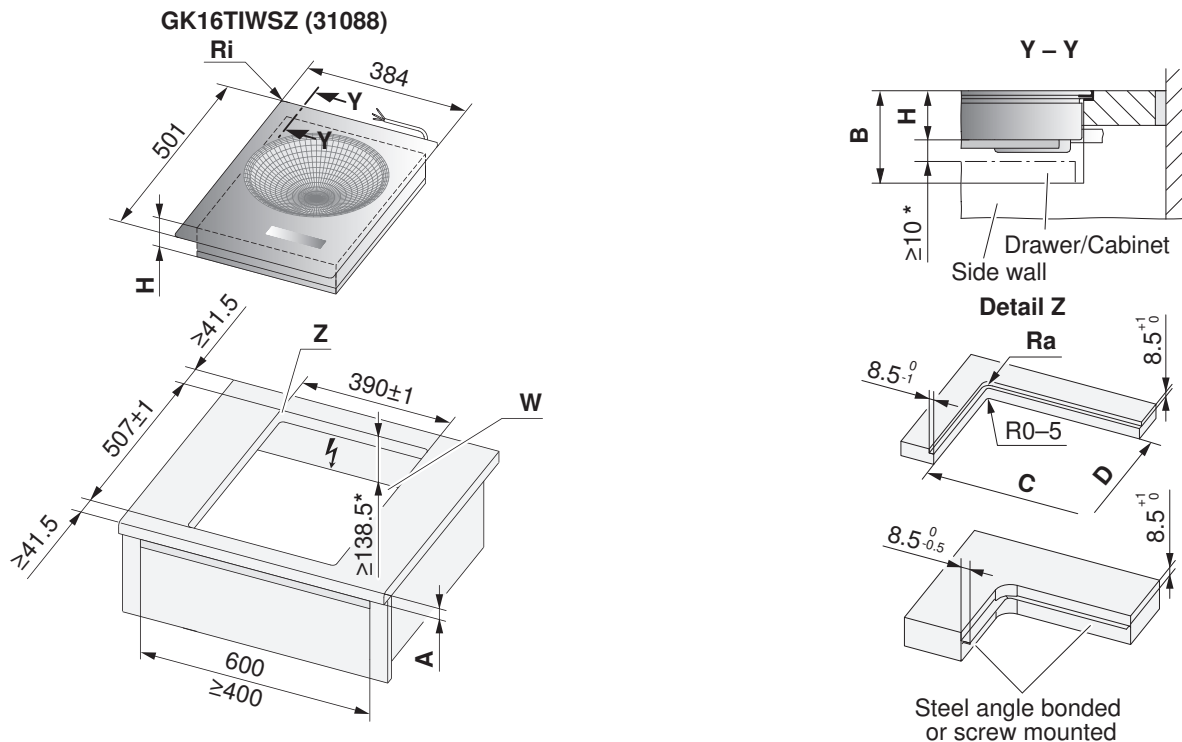
* The required clearance must be observed!

2 The front and rear pegs are reinforced underneath. The strut width is determined by the producer of the stone worktop. The minimum peg width can vary according to the properties of the stone.

Type	A Depends on producer	B	C/D	H	Corner radius Ra/Ri
CookTopInduction V6000 FullFlex (31134)	≤40 mm	≥150 mm	886/490 mm	76 mm	5/1.5 mm
CookTopInduction V6000 FullFlex (31132)			680/490 mm		

- A** Worktop depth
- B** Required clearance for service replacement over the entire cut-out area.
- H** Dimension from the top of the work surface to the underside of the hob
- Ri** Corner radii of appliance
- Ra** Outer corner radii of cut-out

Flush installation with «DualDesign»

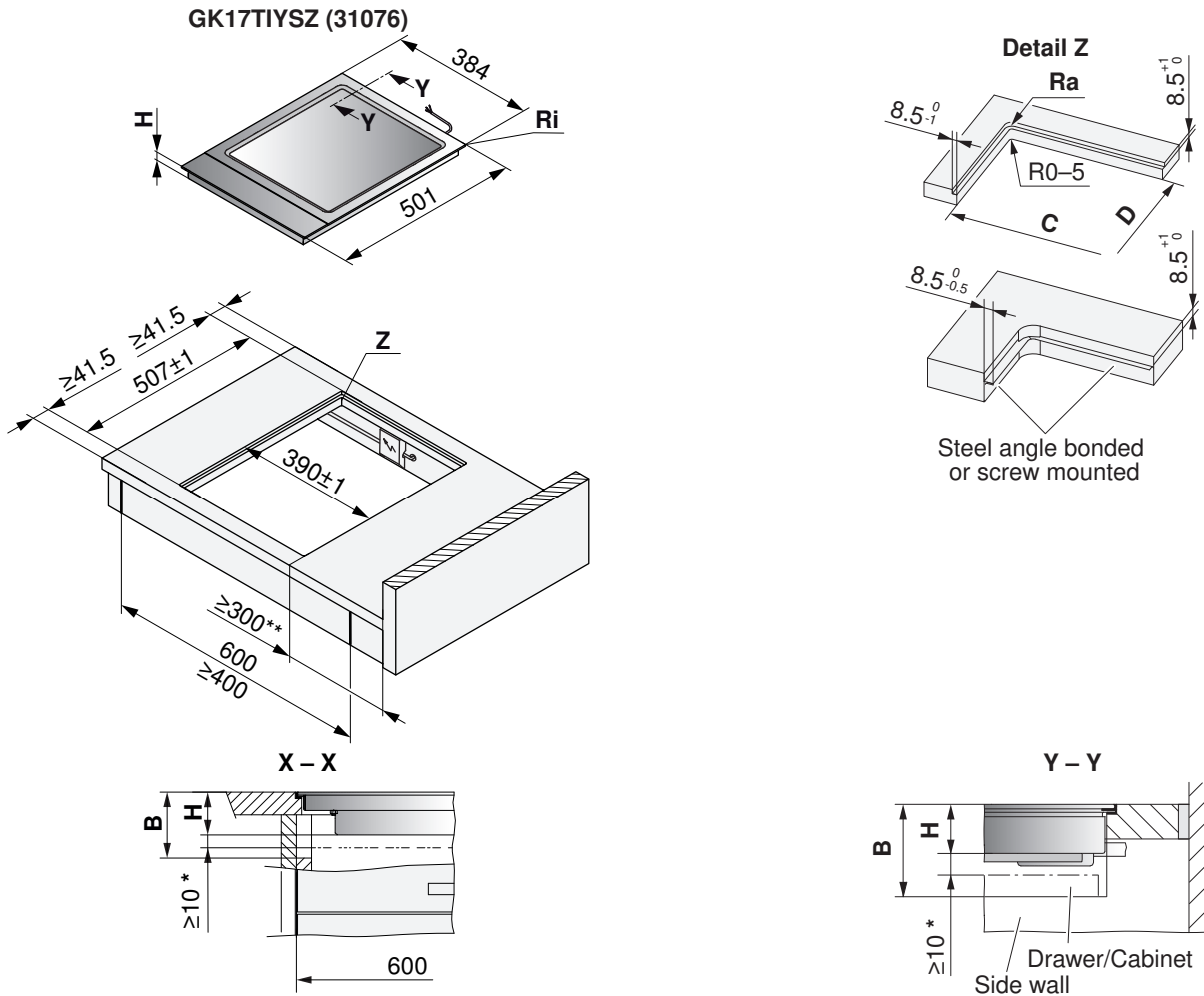


* The required clearance must be observed!

Type	A Depends on producer	B	C/D	H	Corner radius Ra/Ri
GK16TIWSZ	≥20 mm	≥205 mm	373/490 mm	128.5 mm	5/1.5 mm

- A** Worktop depth (only applies in combination with directly built-under oven / steam cooker with type of construction 60-600, without Combi-Steam MSLQ)
- B** Required clearance for ventilation and service replacement over the entire cut-out area.
- H** Dimension from the top of the work surface to the underside of the hob (ventilation opening)
- Ri** Corner radii of appliance
- Ra** Outer corner radii of cut-out

Flush installation with «DualDesign»



* The required clearance (for ventilation) must be observed!

** On both sides for technical reasons.

Type	A Depends on producer	B	C/D	H	Corner radius Ra/Ri
GK17TIYSZ	≥20 mm	≥73.6 mm	373/490 mm	64 mm	5/1.5 mm

A Worktop depth (only applies in combination with directly built-under oven / steam cooker with type of construction 60-600, without Combi-Steam MSLQ)

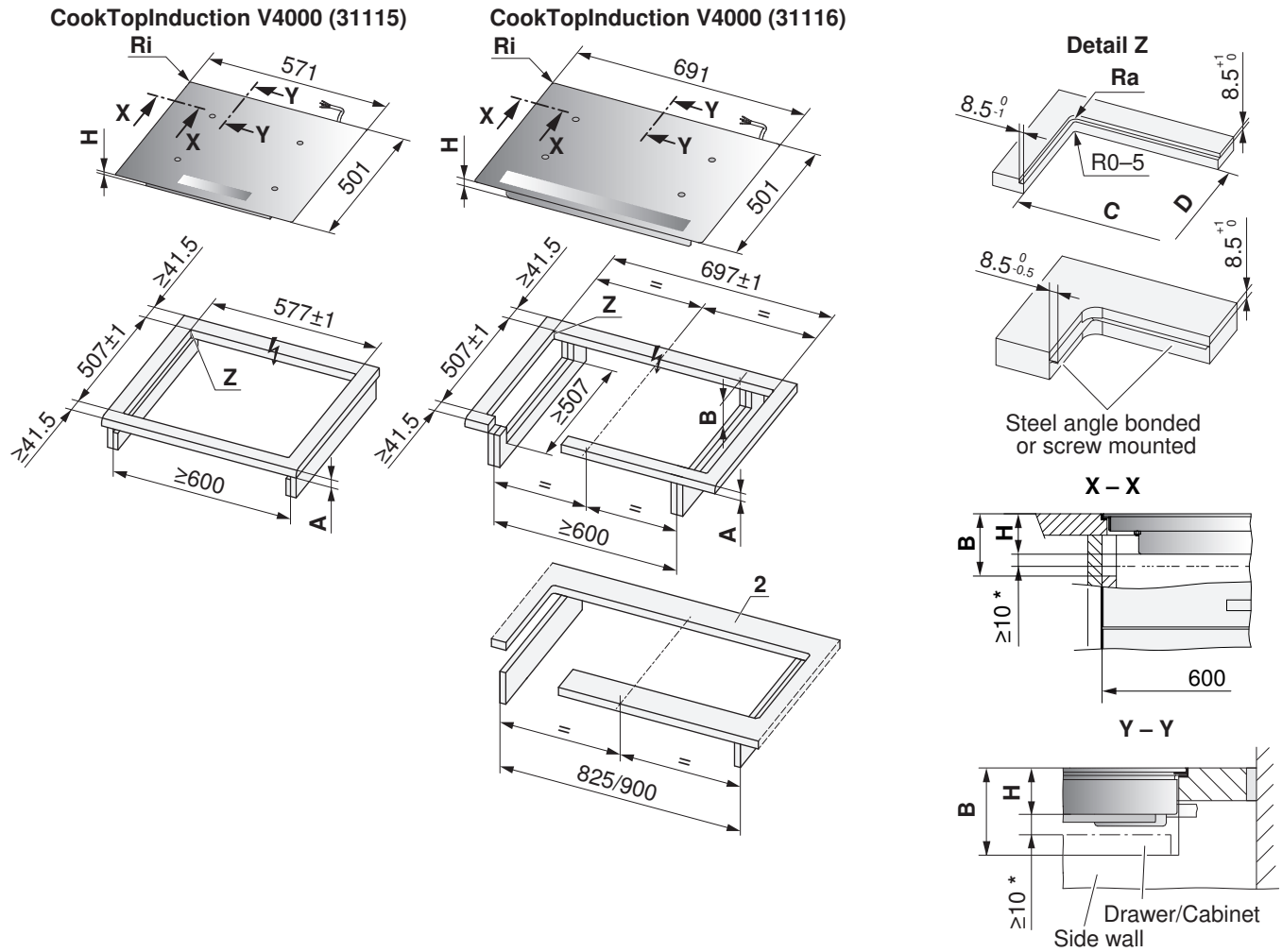
B Required clearance for ventilation and service replacement over the entire cut-out area.

H Dimension from the top of the work surface to the underside of the hob (ventilation opening)

Ri Corner radii of appliance

Ra Outer corner radii of cut-out

Flush installation with «DualDesign»



* The required clearance (for ventilation) must be observed!

2 The front and rear pegs are reinforced underneath. The strut width is determined by the producer of the stone worktop. The minimum peg width can vary according to the properties of the stone.

Type	A Depends on producer	B	C/D	H	Corner radius Ra/Ri
CookTopInduction V4000 (31115)	≥20 mm	≥75 mm	560/490 mm	51.7 mm	5/1.5 mm
CookTopInduction V4000 (31116)			680/490 mm		

A Worktop depth (only applies in combination with directly built-under oven / steam cooker with type of construction 60-600, without Combi-Steam MSLQ)

B Required clearance for ventilation and service replacement over the entire cut-out area.

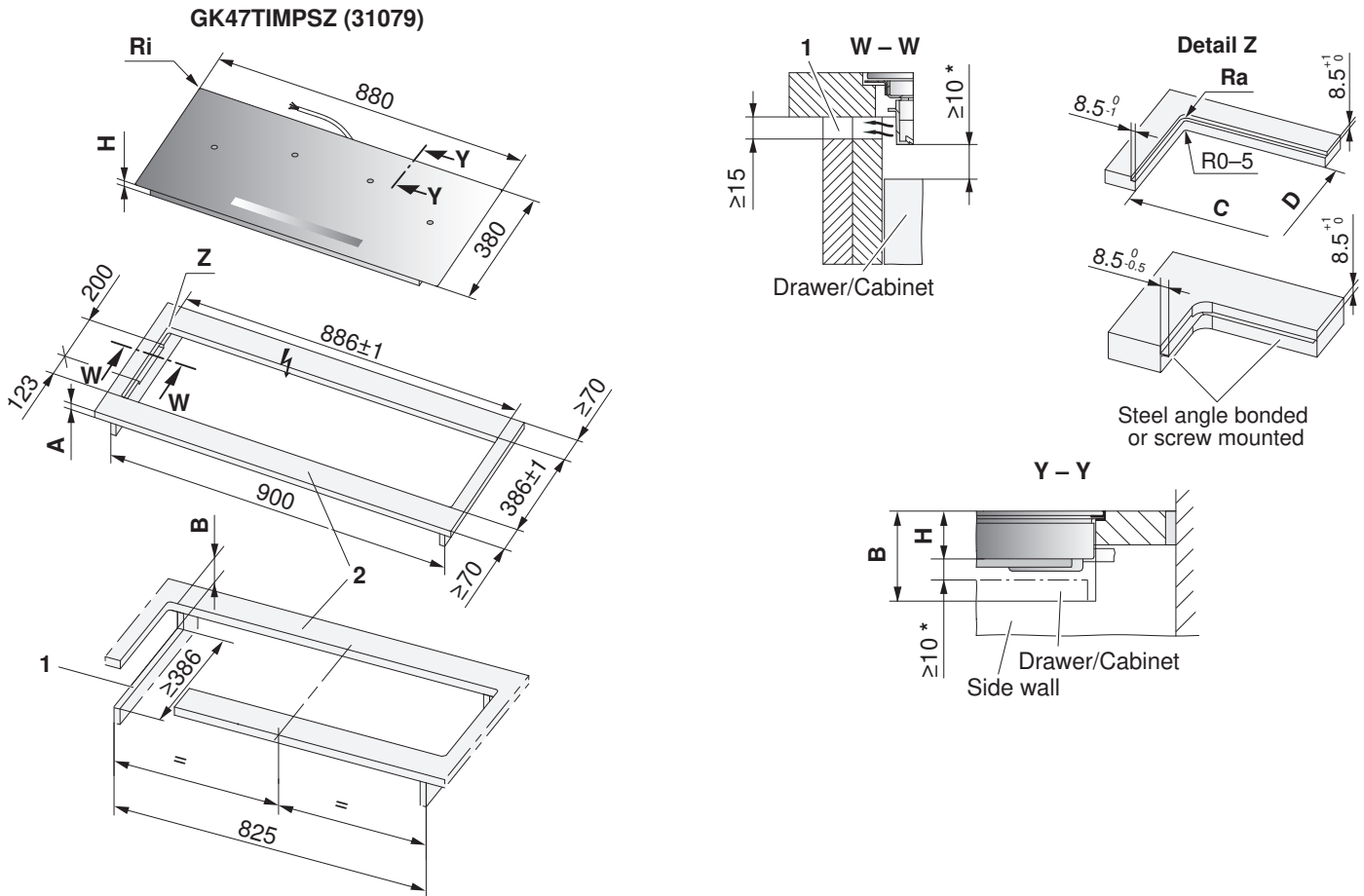
H Dimension from the top of the work surface to the underside of the hob (ventilation opening)

Ri Corner radii of appliance

Ra Outer corner radii of cut-out



Flush installation with «DualDesign»



* The required clearance must be observed!

- 1 Cut-outs in left/right side panels for a niche width of 900 mm, required for appliance ventilation.
- 2 The front and rear pegs are reinforced underneath. The strut width is determined by the producer of the stone worktop. The minimum peg width can vary according to the properties of the stone.

Type	A Depends on producer	B	C/D	H	Corner radius Ra/Ri
GK47TIMPSZ	≥20 mm	≥75 mm	869/369 mm	51 mm	5/1.5 mm

- A** Worktop depth (only applies in combination with directly built-under oven / steam cooker with type of construction 60-600, without Combi-Steam MSLQ)
- B** Required clearance for ventilation and service replacement over the entire cut-out area.
- H** Dimension from the top of the work surface to the underside of the hob (ventilation opening)
- Ri** Corner radii of appliance
- Ra** Outer corner radii of cut-out

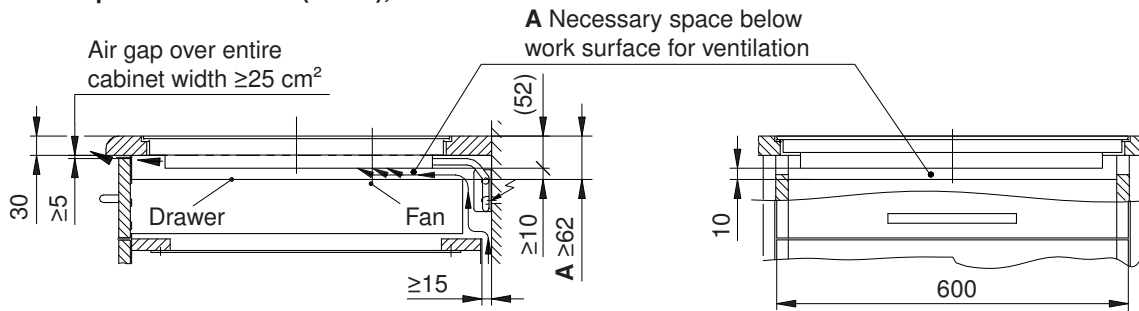
7.8 Installation without protective plate



Requirements for optimal ventilation:

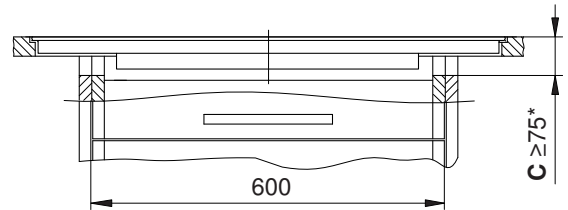
- a front-facing air gap of ≥ 5 mm
- a space of ≥ 10 mm in height beneath the appliance
- a worktop depth of ≥ 20 mm to ≤ 40 mm
- A supply of fresh air (≥ 15 mm air gap) is essential for the trouble-free operation of the hob.

CookTopInduction V4000 (31115), GK27TIMSZ

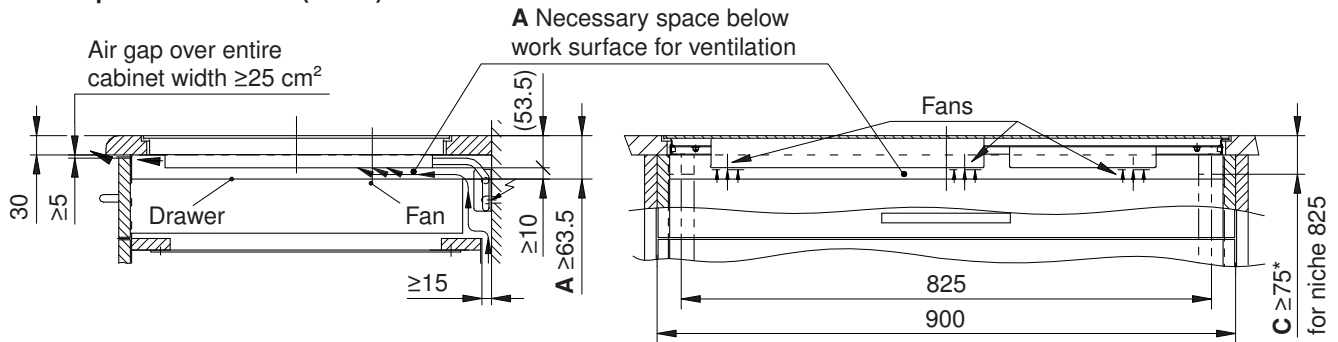


CookTopInduction V4000 (31116)

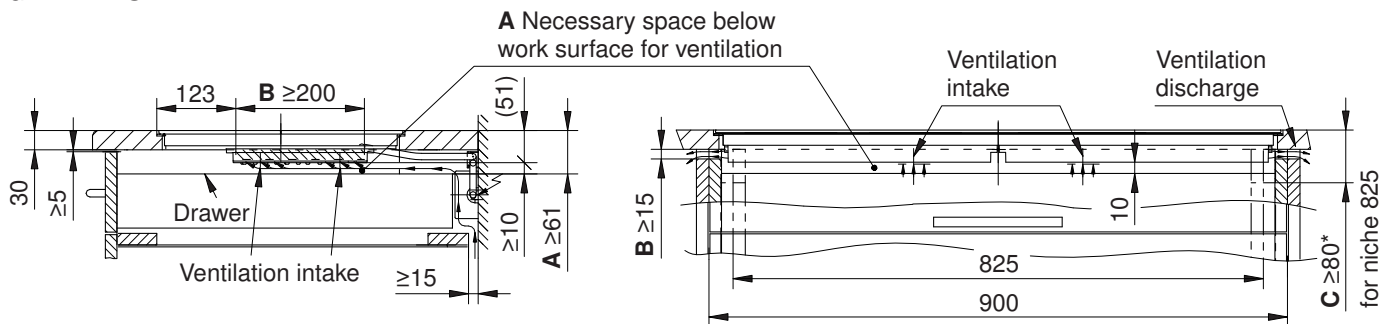
See diagram above



CookTopInduction V6000 (31114)



GK47TIMSZ

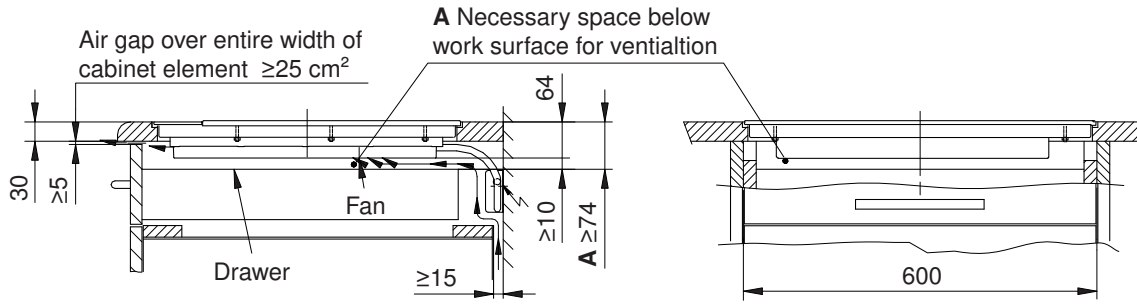


* Required for flush appliances

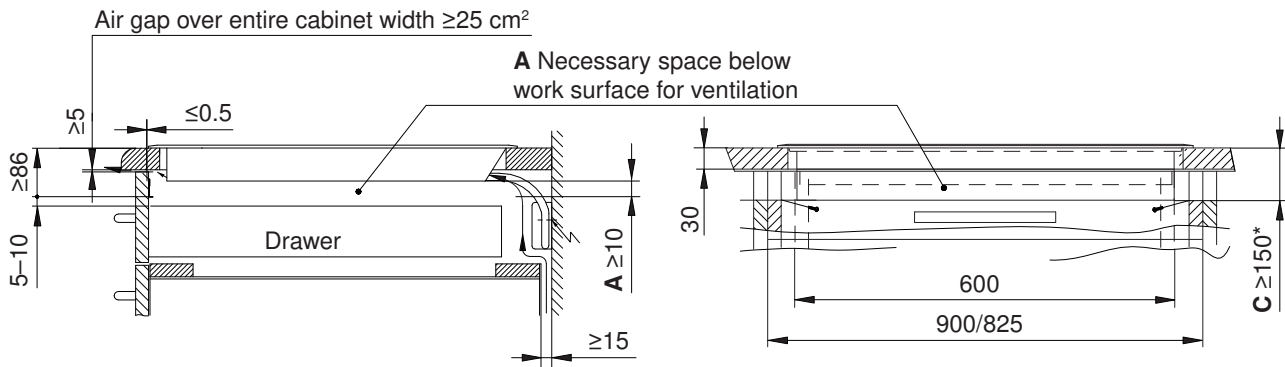
A Necessary space below the worktop for the ventilation of the appliance

C Cut-out in the side walls for disassembly from below, only for flush version

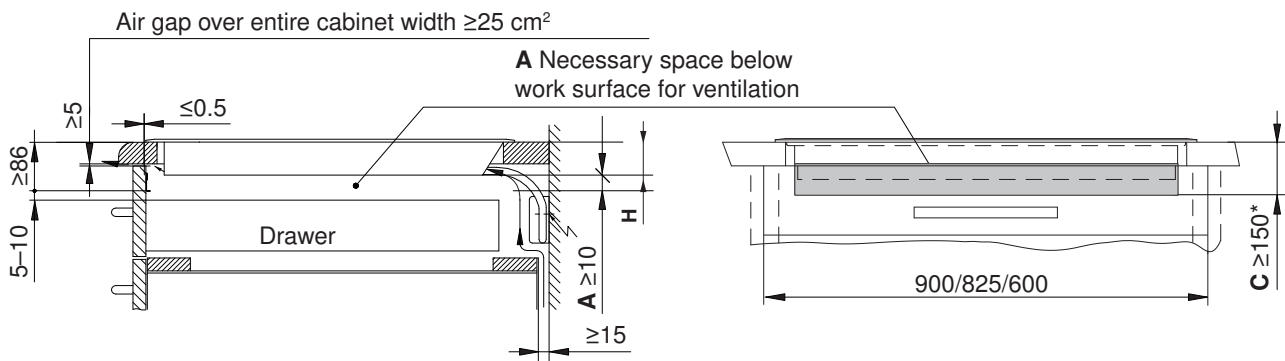
GK17TIYSZ



CookTopInduction V6000 FullFlex (31134)



CookTopInduction V6000 FullFlex (31132)



* Required for flush appliances

A Necessary space below the worktop for the ventilation of the appliance

B Cut-out in the side walls left/right is necessary for the ventilation of the appliance.

C Cut-out in the side walls for disassembly from below, only for flush version



7.9 Installation with protective plate

For more information, see the Accessories (see page 102) section.

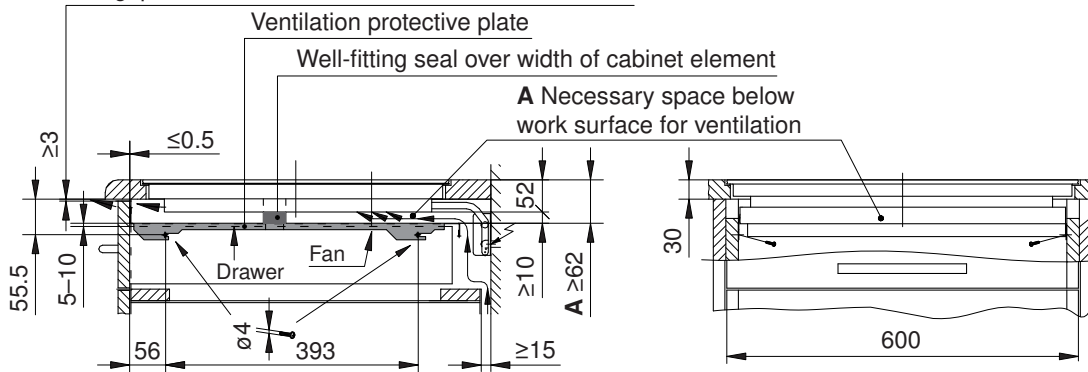


Requirements for optimal ventilation:

- Front-facing air gap of ≥ 3 mm (with protective plate)
- Distance of ≥ 10 mm between protective plate and ventilation opening
- Worktop depth of ≥ 20 mm to ≤ 40 mm
- A supply of fresh air (≥ 15 mm air gap) is essential for the trouble-free operation of the hob

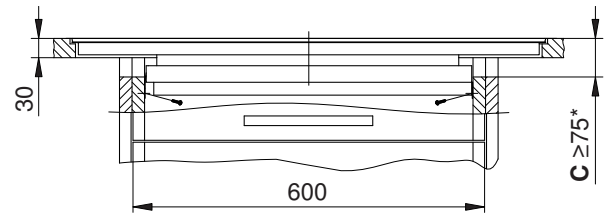
CookTopInduction V4000 (31115), GK27TIMSZ

Air gap over entire width of cabinet element ≥ 17 cm²



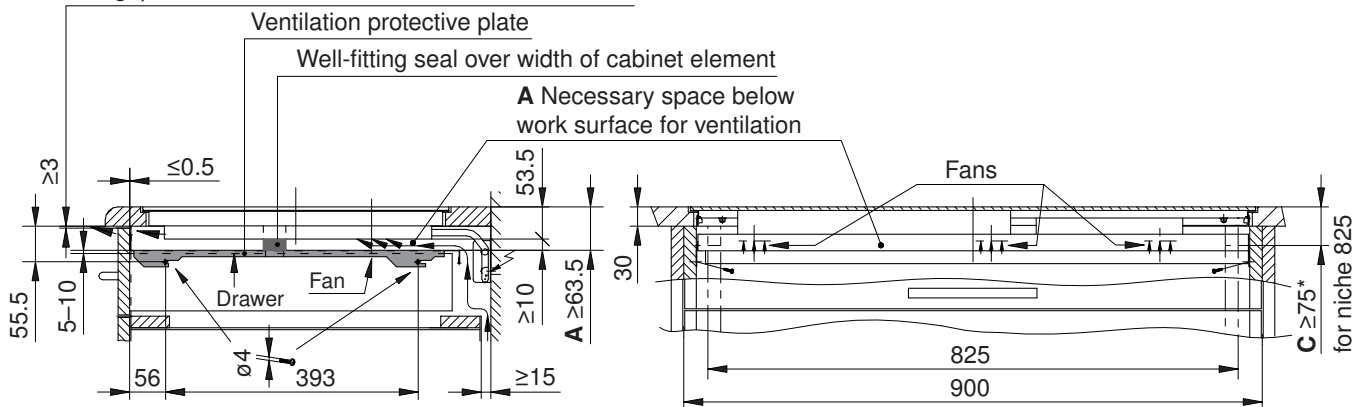
CookTopInduction V4000 (31116)

See diagram above



CookTopInduction V6000 (31114)

Air gap over entire width of cabinet element ≥ 17 cm²



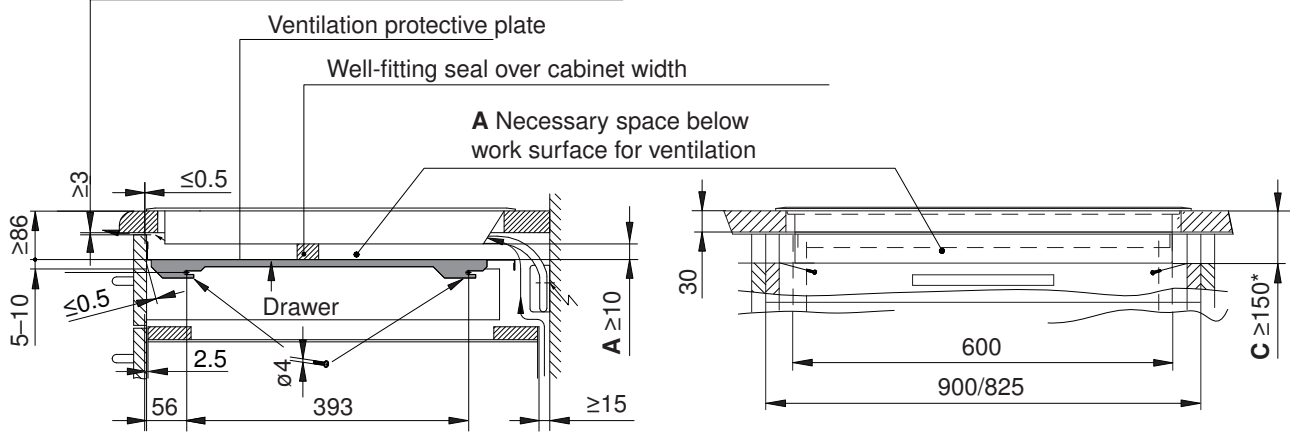
* Required for flush appliances

A Necessary space below the worktop for the ventilation of the appliance

C Cut-out in the side walls for disassembly from below, only for flush version

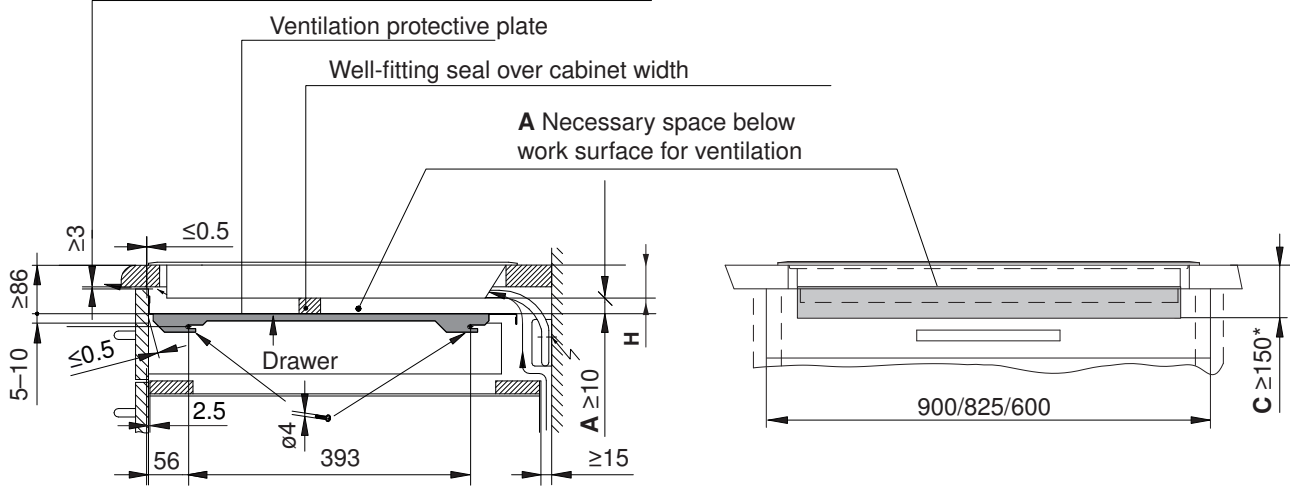
CookTopInduction V6000 FullFlex (31134)

Air gap over entire cabinet width $\geq 17 \text{ cm}^2$



CookTopInduction V6000 FullFlex (31132)

Air gap over entire cabinet width $\geq 17 \text{ cm}^2$



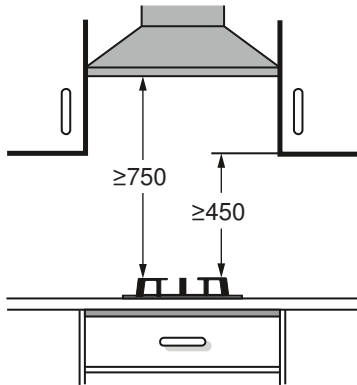
- * Required for flush appliances
- A Necessary space below the worktop for the ventilation of the appliance
- C Cut-out in the side walls for disassembly from below, only for flush version

8 Gas hobs



The distance from the appliance cut-out to the back wall must be ≥ 50 mm and to the side walls ≥ 200 mm. Parts such as side walls and reinforcing strips which protrude into the installation space under the cooking zone must be made of fire-resistant material.

The distance between the underside of the appliance tray and any part of the cabinet beneath that is made of combustible material must be ≥ 20 mm.



When a range hood is installed above the gas hob, the minimum distance given for the particular range hood must be observed.

Furthermore, the minimum distances illustrated must be strictly complied with even if a lower value is stated for the range hood.

A gas hob cannot be built in directly over another appliance due to the installation depth and the gas connection.

8.1 Electrical connection data



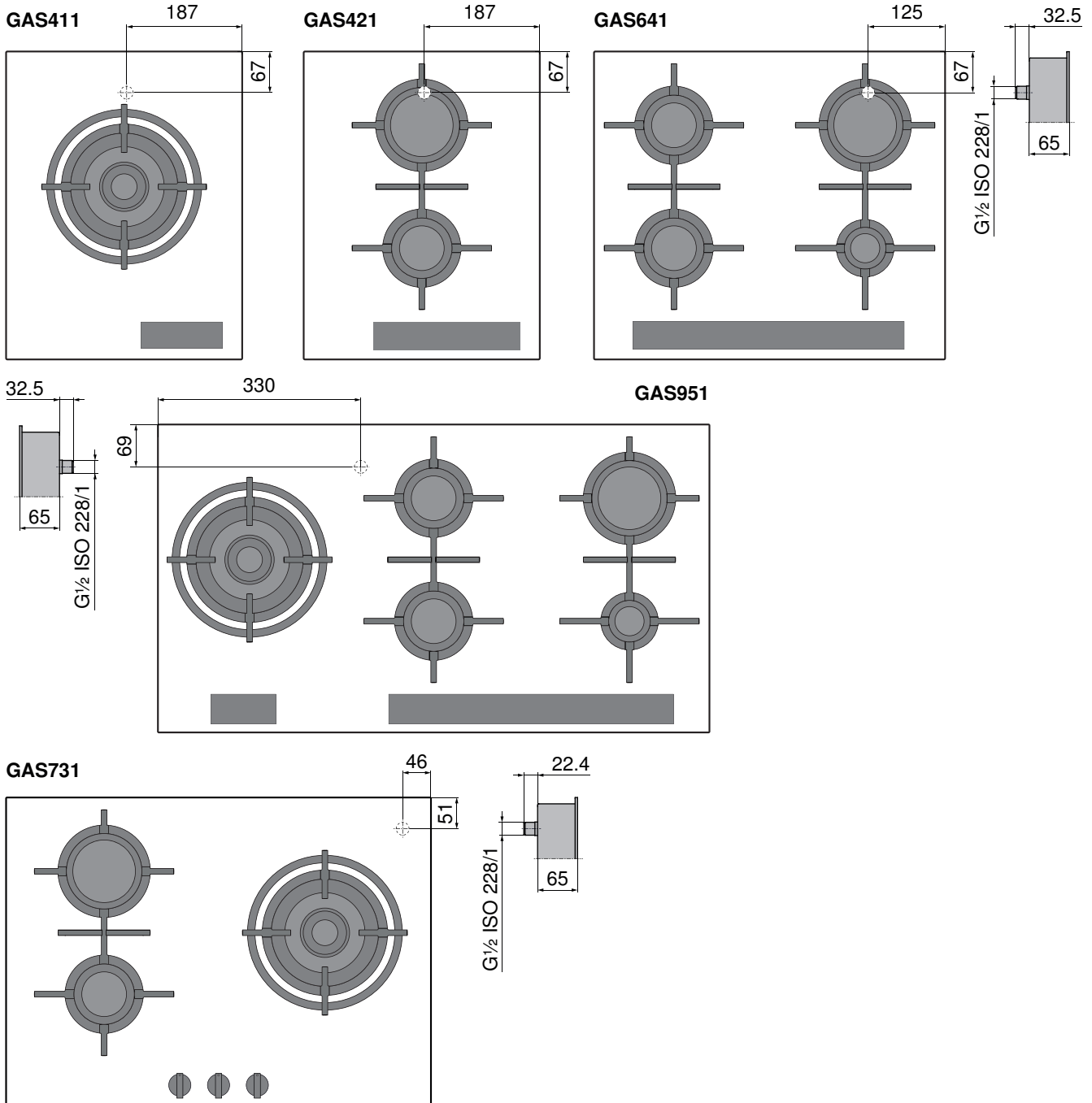
General information on the electrical connections and an overview of the positions can be found in section Overview of connections, ranges and dimensions (see page 5).

Appliance	Mains connection	Fuse	Rated load	Mains cable
GAS411GSBZ, GAS421GSBZ, GAS641GSBZ, GAS731GKBZ, GAS951GSBZ	220–240 V~50–60 Hz	≥ 3 A	<20 W	1.7 m, with plug

8.2 Gas connection



The gas connection and the conversion to another gas type must be carried out by an authorized installer.



- ▶ The gas connection must be positioned so that the stop-cock and the supply connection point are accessible with the appliance installed.
- ▶ The gas connection must be positioned so that it does not get detrimentally hot during operation. In particular, the gas hose assemblies and the appliance's connection fittings must be clear of hot exhaust gases (e.g. from an oven).
- ▶ It must be ensured that the gas hose and the mains connection do not touch any hot parts of the appliance, otherwise the gas hose and the mains cable could become damaged through heat.
- ▶ A flexible connection lead (max. length 1.5 m) must be positioned so that it runs freely and does not come into contact with any movable parts of the kitchen cabinets (e.g. a drawer).

½-inch metric thread

The gas connection on the appliance has a ½-inch external thread in accordance with ISO 228/1. If the gas installation on site already has a corresponding counterpart, the gas appliance can be directly connected to it.

½-inch conical thread

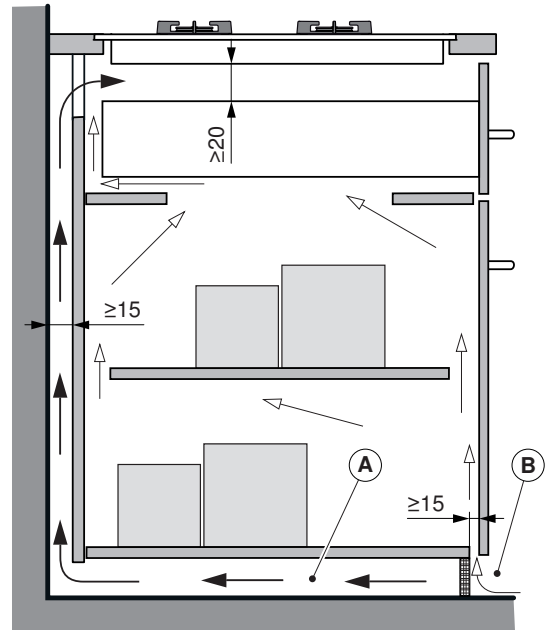
If the gas connection has a conical thread, the transition piece and sealing ring must first be screwed onto the appliance. The transition piece has a conical external thread R ½-inch in accordance with ISO 7/11. In the case of a conical screw connection, the thread makes the seal, which is why the thread must be sealed with hemp or Teflon tape.



8.3 Ventilation

In order to guarantee minimum ventilation, a space of ≥20 mm height is necessary beneath the appliance.

- A** The rear panel of the base unit must be open around the work surface cut-out to guarantee continuous air circulation via the ventilation slits. The air must be drawn in from outside the cabinet and be able to circulate freely from inside the cabinet to the hob.
- B** Alternatively, a concealed fresh air supply can ensure air circulation inside the cabinet. So that enough cold air can be drawn in, there must be a continuous supply of fresh air circulating till outside the cabinet. The air must be drawn in from outside the cabinet and be able to circulate freely from inside the cabinet to the hob.



8.4 Setting up appliance to use local gas type

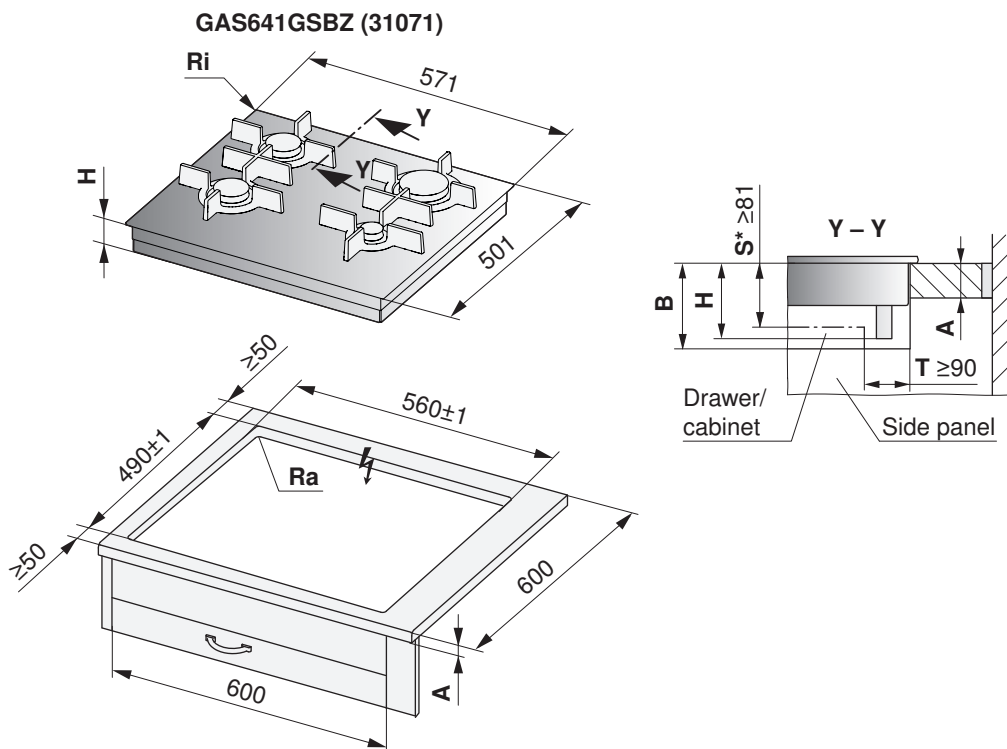
! The appliance settings must match the local gas type and connection pressure. If the gas type and connection pressure have not been preset, the appliance has to be converted using the nozzle set supplied or other nozzle sets available as accessories. Information on the default gas setting as well as on the supplied and optional nozzle sets by country can be found in the catalogue. Conversion to another gas type is described in detail in the relevant installation instructions.

Overview of nozzle sets

Type	Default gas setting	Nozzle set (supplied)	Additional nozzle sets available for country-specific combinations of gas type and connection pressure
GAS411GSBZ	Natural gas AU (G20), 1.0 kPa	Universal liquid gas (G30/G31), 2.75 kPa	No other nozzle sets are permitted
GAS421GSBZ			
GAS641GSBZ			
GAS731GKBZ			
GAS951GSBZ			

* Validity with model no.

8.5 Surface-mounted installation with «DualDesign»

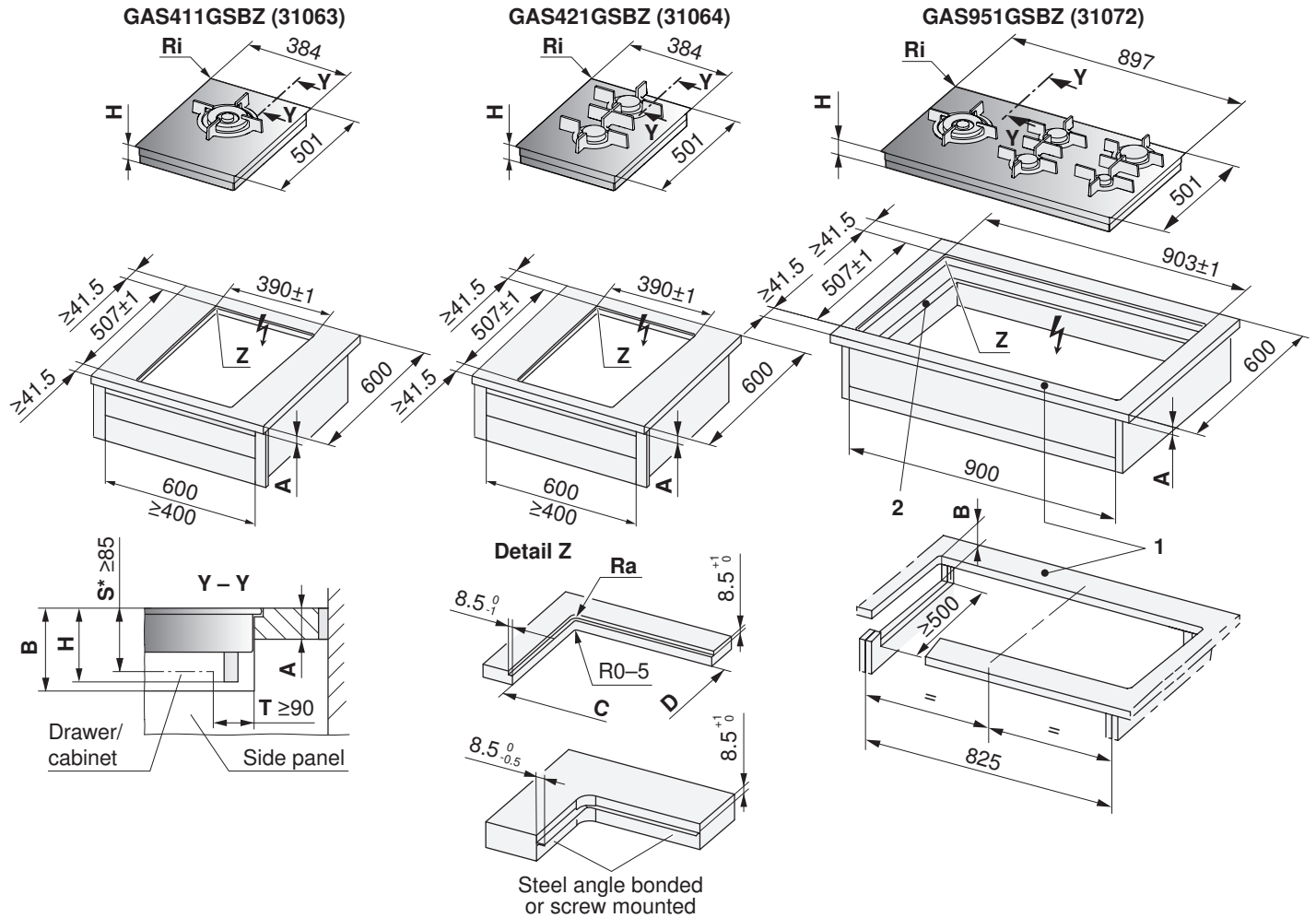


* The required clearance must be observed!

Type	A Depends on producer	B	H	Corner radius R_a/R_i
GAS641GSBZ	≥ 30 mm	≥ 95 mm	94 mm	0–5/1.5 mm

- A** Worktop depth
- B** Required clearance for service replacement over the entire cut-out area.
- H** Dimension from the top of the work surface to the underside of the gas connection
- Ri** Corner radii of appliance **Ra** Outer corner radii of cut-out
- S** Minimum distance between the top of the work surface and any drawer
- T** Minimum distance between the cut-out in the back and any drawer

Flush installation with «DualDesign»



* The required clearance must be observed!

- 1 Front and rear struts may be reinforced on the underside. The strut width is determined by the producer of the stone worktop. The minimum strut width can vary according to the property of the stone.
- 2 For niche width 900 mm, cut-outs in side walls left/right are necessary for servicing work where the appliance base must be removed from below.

Type	A Depends on producer	B	H	Corner radius Ra/Ri	C/D
GAS411GSBZ, GAS421GSBZ	≥30 mm	≥175 mm	98 mm	5/1.5 mm	373/490 mm
GAS951GSBZ					886/490 mm

- A Worktop depth
- B Required clearance for service replacement over the entire cut-out area.
- H Dimension from the top of the work surface to the underside of the gas connection
- Ri Corner radii of appliance Ra Outer corner radii of cut-out
- S Minimum distance between the top of the work surface and any drawer
- T Minimum distance between the cut-out in the back and any drawer

9 Combined hob installation

9.1 Surface-mounted combination

The surface-mounted hob combination is currently only possible for electric hobs (up to max. hob size 60), gas hobs and hob hoods. The intermediate support 1014361 (stainless steel) or 1019199 (black) is required for this.

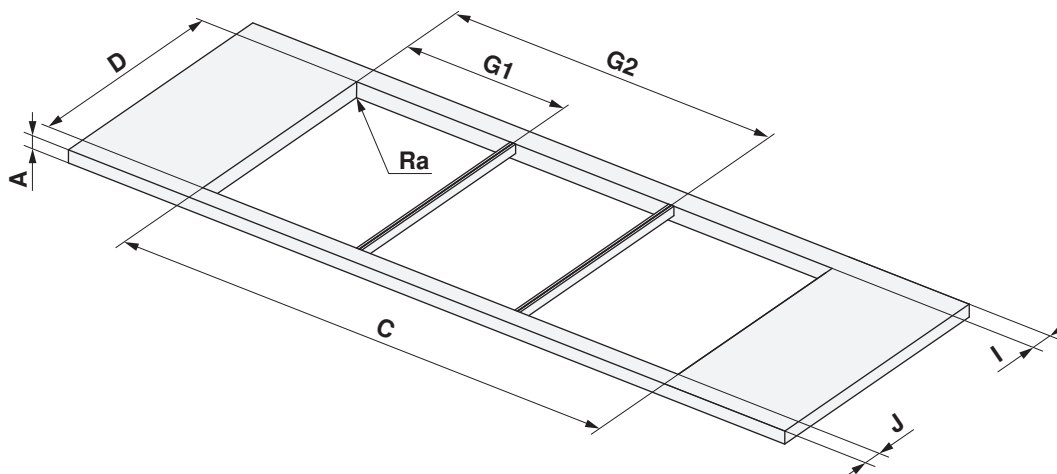


The wok hob GK16TIWSZ cannot be built into a surface-mounted combination with intermediate support.

Dimensions table for hobs

Combinations	Cut-out width C	Intermediate support position G1	Intermediate support position G2
30+30 cm	554 mm	277 mm	-
30+40 cm	657 mm	277 mm	-
40+40 cm	760 mm	380 mm	-
30+30+30 cm	838 mm	277 mm	561 mm
30+60 cm	844 mm	277 mm	-
40+60 cm	947 mm	380 mm	-
30+40+40 cm	1044 mm	277 mm	664 mm
40+40+40 cm	1147 mm	380 mm	767 mm
30+40+60 cm	1231 mm	277 mm	664 mm
40+40+60 cm	1334 mm	380 mm	767 mm

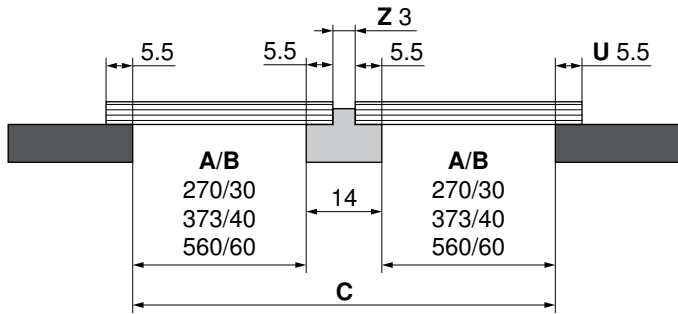
- A ≥30 mm
- D 490 mm
- I ≥50 mm
- J ≥50 mm
- Ra 0-5 mm



9.2 Examples of surface-mounted combinations

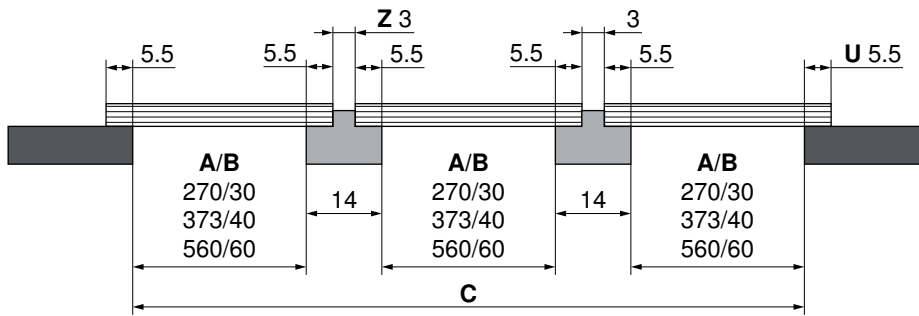
Worktop	Hobs	Intermediate support

Double surface-mounted combination



Example for cut-out width **C** with 30+30 cm: $270+14+270 = 554$ mm

Triple surface-mounted combination



Example for cut-out width **C** with 30+30+30 cm: $270+14+270+14+270 = 838$ mm

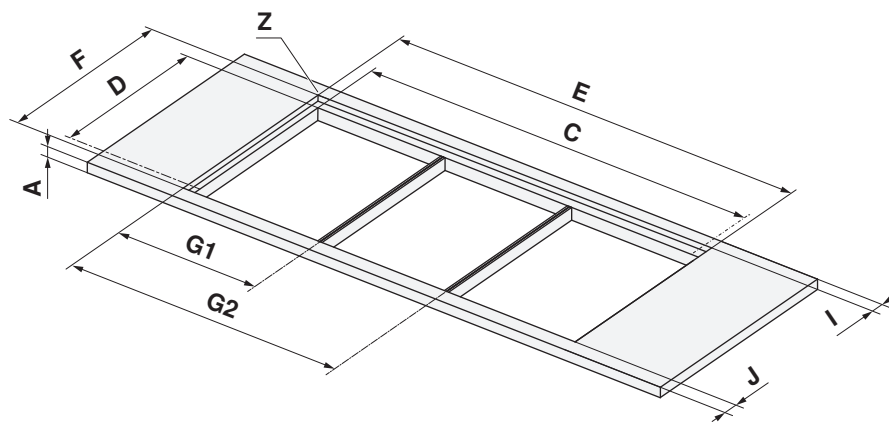
A	B	C	U	Z
Cut-out in mm	Hob size in cm	Cut-out width	Hob/worktop overlap	Intermediate support

9.3 Flush combination

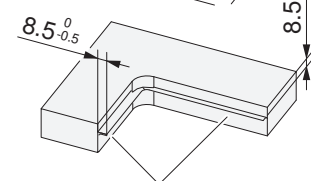
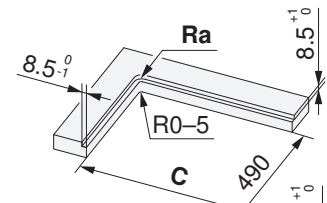
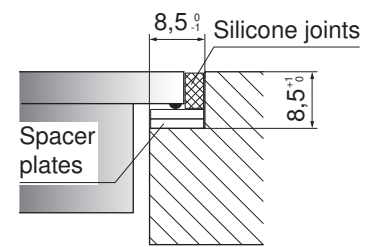
The flush-mounted hob combination is currently possible for all gas hobs, hob hoods and flush-mounted electric hobs with a base plate depth of 501 mm. The intermediate support kit H63789 (contains two intermediate supports) is required.

Dimensions table for hobs

Combinations	Cut-out width E	Cut-out width C	Intermediate support position G1	Intermediate support position G2
30+30 cm	571 mm	554 mm	285.5 mm	-
30+40 cm	674 mm	657 mm	285.5 mm	-
40+40 cm	777 mm	760 mm	388.5 mm	-
30+30+30 cm	855 mm	838 mm	285.5 mm	569.5 mm
30+60 cm	861 mm	844 mm	285.5 mm	-
40+60 cm	964 mm	947 mm	388.5 mm	-
30+70 cm	981 mm	964 mm	285.5 mm	-
30+40+40 cm	1061 mm	1044 mm	285.5 mm	672.5 mm
40+70 cm	1084 mm	1067 mm	388.5 mm	-
40+40+40 cm	1164 mm	1147 mm	388.5 mm	775.5 mm
30+90 cm	1187 mm	1170 mm	285.5 mm	-
30+40+60 cm	1248 mm	1231 mm	285.5 mm	672.5 mm
40+90 cm	1290 mm	1273 mm	388.5 mm	-
40+40+60 cm	1351 mm	1334 mm	385.5 mm	775.5 mm



- A ≥30 mm
- I ≥41.5 mm
- J ≥41.5 mm
- D 490±1 mm
- F 507±1 mm
- Ra 5 mm

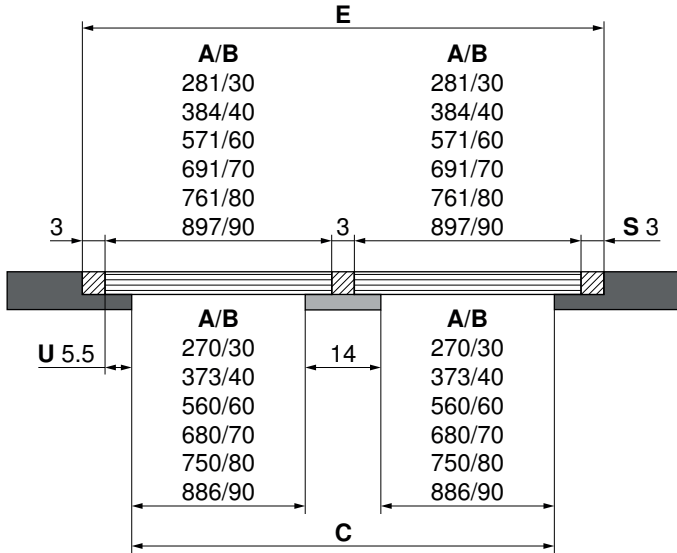


Steel angle mounted with adhesive or screws

9.4 Examples of flush combinations

Worktop	Hobs	Intermediate support	Silicone joint

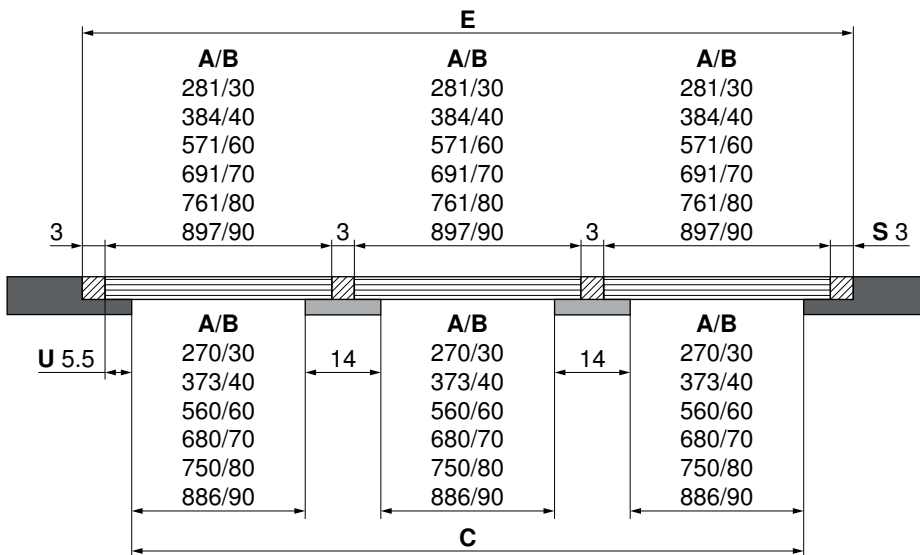
Double flush combination



Example for cut-out width **E** with 30+30 cm: $3+281+3+281+3 = 571$ mm

Example for cut-out width **C** with 30+30 cm: $270+14+270 = 554$ mm

Triple flush combination



Example for cut-out width **E** with 30+30+30 cm: $3+281+3+281+3+281+3 = 855$ mm

Example for cut-out width **C** with 30+30+30 cm: $270+14+270+14+270 = 838$ mm

A	B	C/E	S	U
Cut-out in mm	Hob size in cm	Cut-out width	Silicone joint	Hob/worktop overlap

10 Range hoods



Technical information on the range hoods can be found in document «TechInfo for range hoods» under J32836 (EN), 1007182 (IT), 1008408 (DE), 1008409 (FR).

10.1 General notes



If other firing systems are being used at the same time (e.g. wood, gas, oil or coal fired heating appliances), safe operation is only possible providing a room negative pressure of 4 Pa (0.04 mbar) is not exceeded at the location of the appliance.

Risk of toxic fumes! An adequate flow of fresh air must be guaranteed e.g. via non-closable openings in doors or windows and in combination with an air-intake/exhaust-air wall box or by other technical means.



Efficient repairs can only be guaranteed if it is possible to uninstall the whole appliance at any time without causing any damage.

Minimum distance to the hob



If a V-ZUG appliance is being combined with a third-party brand (hob or range hood) and the stipulated minimum distance between the combined appliances is different, then the greater of the two must be observed. The minimum distance is measured between the bottom edge of the range hood and the bottom of the pot or pan. If the appliance is installed over gas hobs, each cooking zone must be fitted with an ignition fuse.

Extraction mode



The extracted air must not be fed into a chimney which is used for exhausting fumes from appliances burning gas or other fuels.
Observe the local fire regulations.

Installation notes

- In addition to the correct dimensioning of the exhaust duct, it is also necessary to ensure a sufficient inflow of fresh air. **to replace the air that is being extracted.**
- Avoid routing the exhaust duct to the side through the chimney casing.
- Planning features for non-destructive de-installation and maintenance of the appliance:
 - Do not route telescopic casing in suspended ceilings.
 - Avoid silicone joints between the telescopic casing and the appliance.
 - All plastering, plasterboarding, wall papering or painting work is to be carried out prior to installing the appliance.

10.2 Special hoods

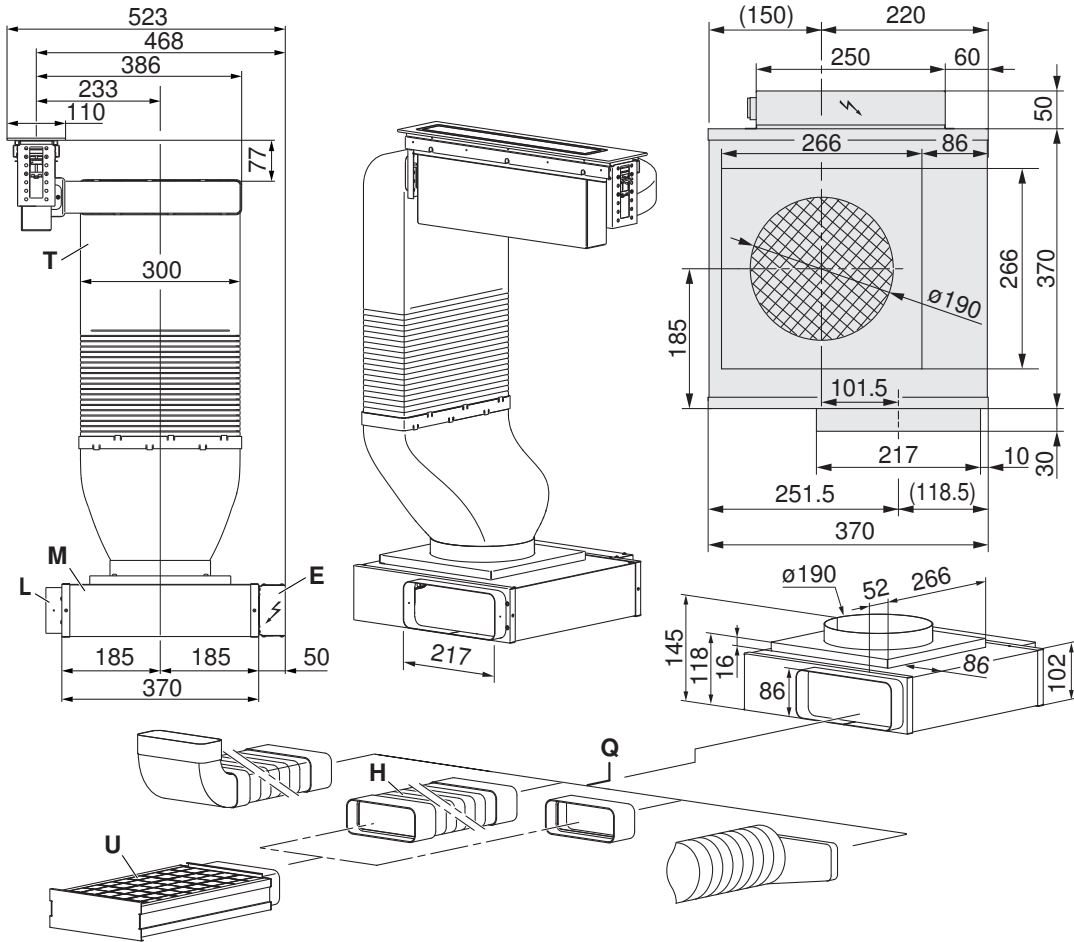


Special hood type DSTS9 (64004) may not be used in combination with gas hobs.

Special hood type DSMS (64005) may only be operated in combination with a gas hob of V-ZUG gas hob type: GAS321x, GAS421x, GAS641x, observing the permitted combination installation variants. The content of the operating and installation instructions for the listed gas hobs must be observed! If operating a permitted gas appliance, the hob hood must be fitted with the dedicated gas deflector 1031218 (accessory)! Operating a gas appliance without the gas deflector is not permitted!

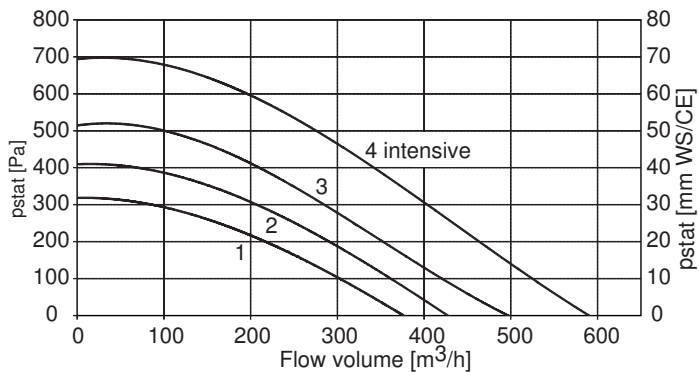
DSMS downdraft hood (64005)

Operating mode	Extraction/recirculation	Mains connection	220–240 V~ 50–60 Hz
Noise level	62–70 dB (A)	Fuse	10 A
Illumination	-	Fan speeds	4
Motor	1 x 145 W	Weight	~21.5 kg

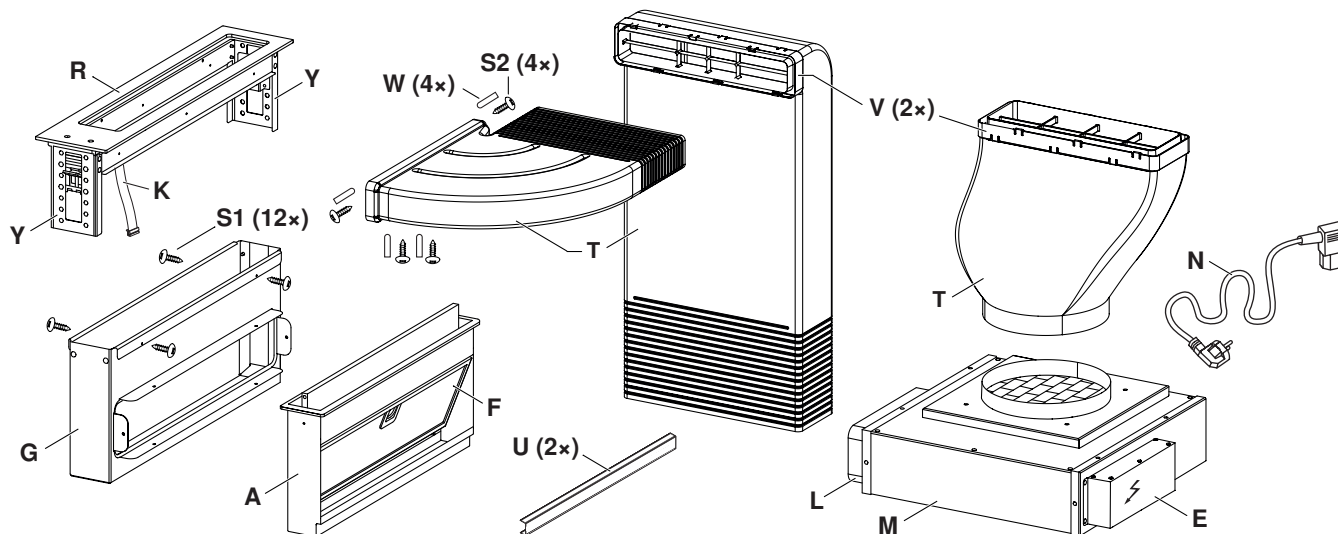


Suitable flat channel systems Q are available for order as accessories.

- The connection between the hob hood and the exhaust air duct T can be to the left or right.
- The ventilation outlet L can be fed through one of the four sides, however this can change the installation type.
- Depending on space requirements, the exhaust ducting T can be adjusted through shortening.
- The control unit E can be repositioned (≤ 250 mm) if required.
- Plan a removable **base plate** or **service flap** for fan motor M and recirculation box U (for recirculation mode).
- Access to the fan motor M and the recirculation box U is facilitated through extendible flat channel systems Q. Recommendation: Flat flexible elbow H, article no. 1012786 with flexible length (240–600 mm).
- For the recirculation mode, ensure sufficient ventilation so that moisture can escape. Plan in suitable material/wood.



Scope of delivery



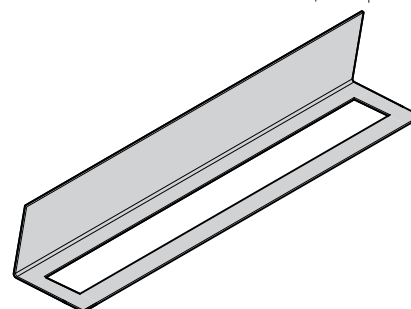
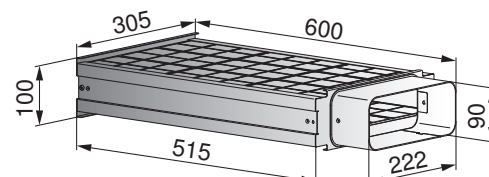
- | | | | |
|----------|---------------------|----------|---|
| A | Drip tray frame | N | Mains cable length 1.8 m |
| E | Control unit | Q | Flat channel system |
| F | Metal grease filter | R | Frame |
| G | Appliance housing | T | Exhaust air duct |
| K | Control cable | U | Spacer profile |
| L | Ventilation outlet | V | Connecting elements |
| M | Fan motor | W | Plastic covers |
| | | Y | Mounting angle (surface-mounted installation) |

Accessories:

Recirculation box 1012161

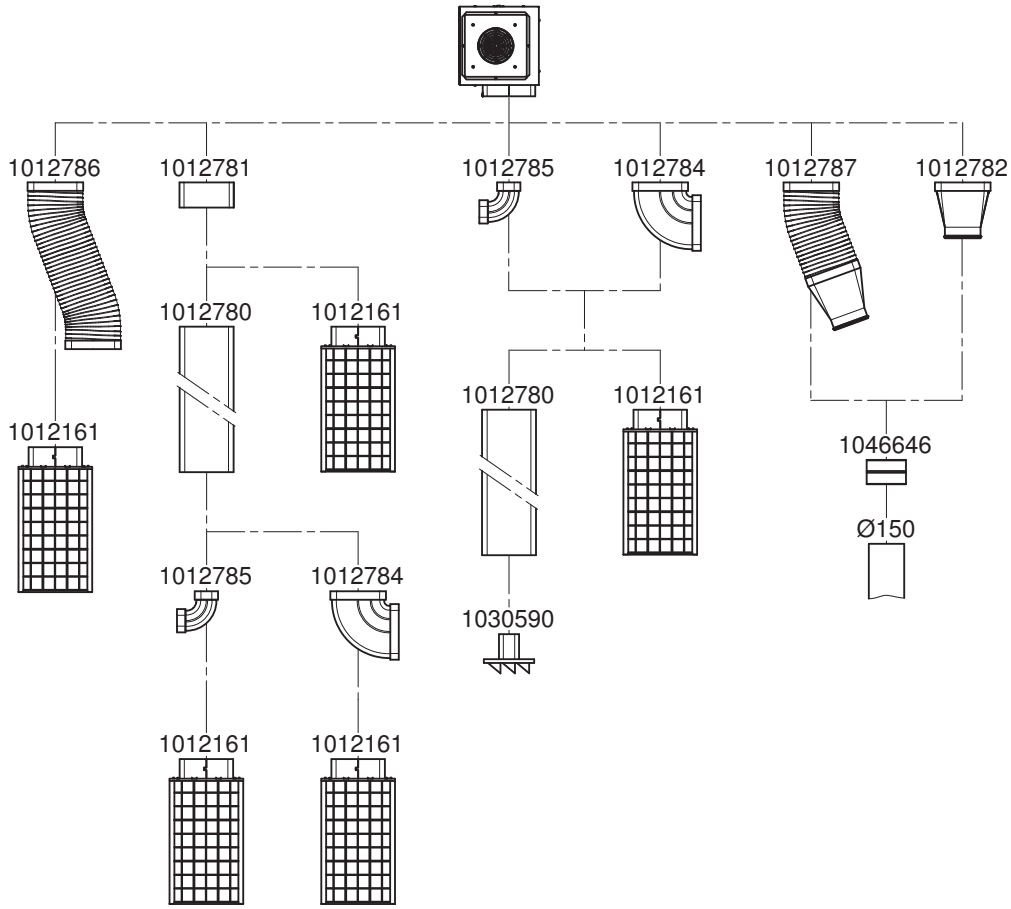
The flat channel system **Q** (accessories) can be used for the installation. Flat channel systems made of plastic (see page 110)

Gas deflector 1031218, required accessory when using a permitted V-ZUG gas hob. Operating a gas appliance without the gas deflector is not permitted!



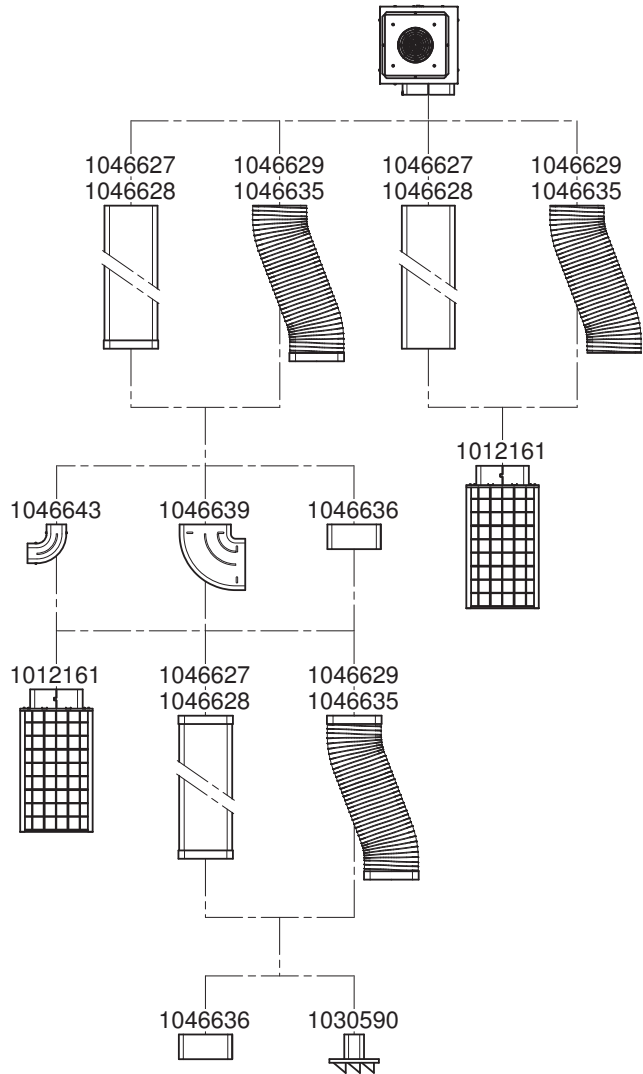


Plastic accessories





Metal accessories



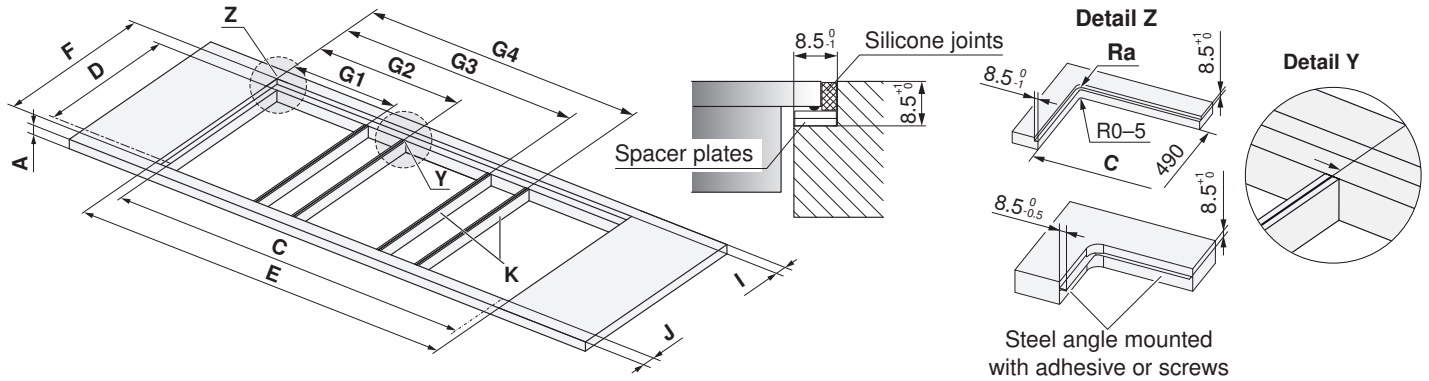
Combination installation

Flush installation

Flush-mounted installation with additional intermediate supports **K** requires the accessory **intermediate support set H63789** (contains two intermediate supports). Flush-mounted combination installation is described in document 1014381.



A WOK glass ceramic hob cannot be surface mounted!
Reason: Glass thickness is 6 mm.

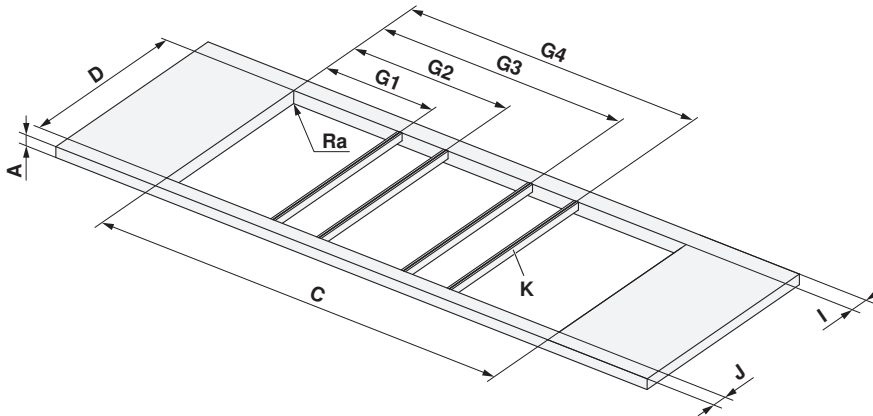


A	F	D	I	J	Ra	K
≥30 mm	507±1 mm	490±1 mm	≥41.5 mm	≥41.5 mm	5 mm	Intermediate support

Combinations	Cut-out width E	Cut-out width C	Intermediate support position G1	Intermediate support position G2	Intermediate support position G3	Intermediate support position G4
30+11+30 cm	684 mm	667 mm	285.5 mm	398.5 mm	-	-
30+11+40 cm	787 mm	770 mm	285.5 mm	398.5 mm	-	-
40+11+40 cm	890 mm	873 mm	388.5 mm	501.5 mm	-	-
11+80+11 cm	993 mm	976 mm	114.5 mm	878.5 mm	-	-
40+11+40+11+40 cm	1390 mm	1373 mm	388.5 mm	501.5 mm	888.5 mm	1001.5 mm
40+11+60+11+40 cm	1577 mm	1560 mm	388.5 mm	501.5 mm	1075.5 mm	1188.5 mm
40+11+70+11+40 cm	1697 mm	1680 mm	388.5 mm	501.5 mm	1195.5 mm	1308.5 mm
40+11+80+11+40 cm	1767 mm	1750 mm	388.5 mm	501.5 mm	1265.5 mm	1378.5 mm

Surface-mounted installation

Surface-mounted installation requires the accessory **side strip set 1028587** and either the intermediate support **K 1019199** (black) or **1014361** (stainless steel). Articles are available for order as accessories. Surface-mounted combination installation is described in document 1013773.

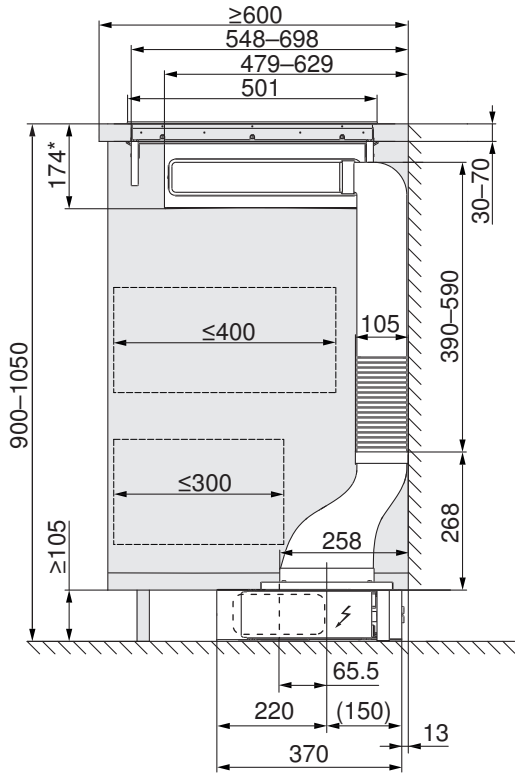


A	D	I	J	Ra
≥30 mm	490±1 mm	≥50 mm	≥50 mm	0–5 mm

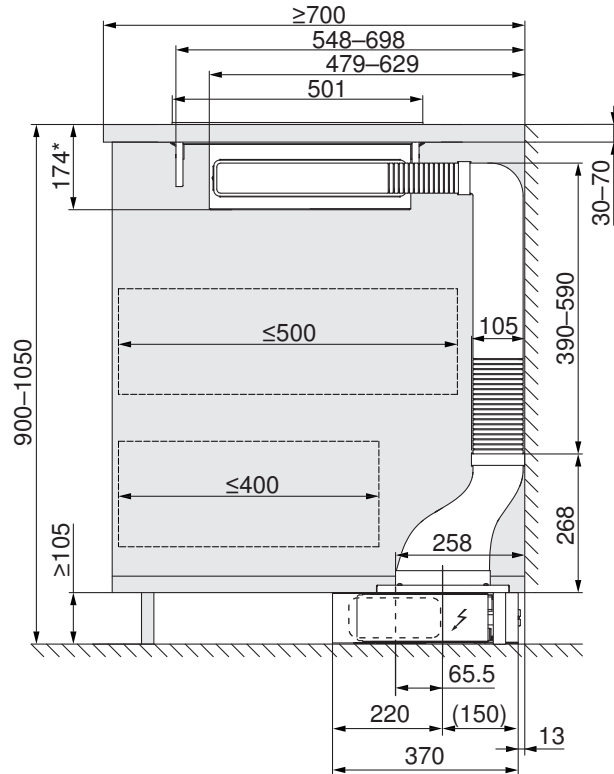
Combinations	Cut-out width C	Intermediate support position G1	Intermediate support position G2	Intermediate support position G3	Intermediate support position G4
30+11+30 cm	667 mm	277 mm	390 mm	-	-
30+11+40 cm	770 mm	277 mm	390 mm	-	-
40+11+40 cm	873 mm	380 mm	493 mm	-	-
40+11+40+11+40 cm	1373 mm	380 mm	493 mm	880 mm	993 mm
40+11+60+11+40 cm	1560 mm	380 mm	493 mm	1067 mm	1180 mm

Installation overview for base

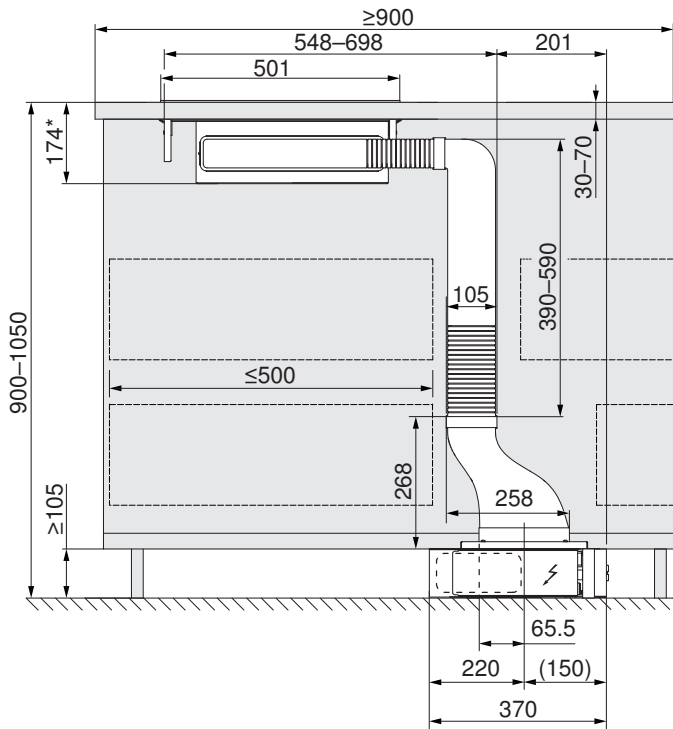
Wall installation, depth ≥ 600 mm



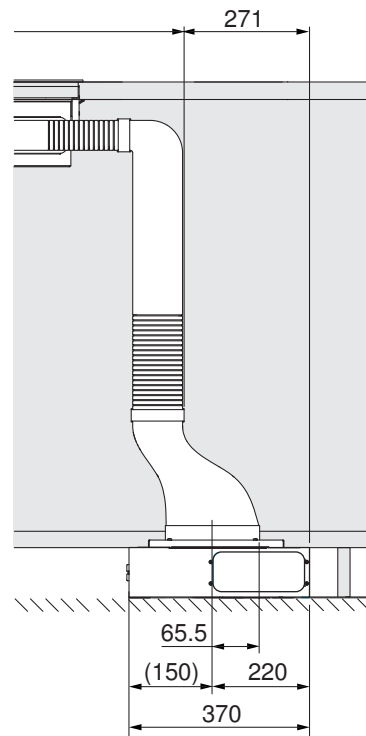
Wall/island installation, depth ≥ 700 mm



Island installation, depth ≥ 900 mm



Variant with rotated fan motor



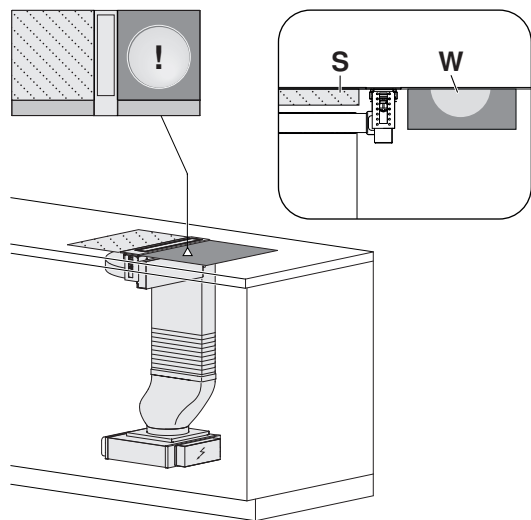
* Flush installation. Surface-mounted installation: 170 mm.


Appliance selection and combination possibilities

1. Planning example: Two hobs

Air duct in base to left/right.

The WOK glass ceramic hob / gas hob **W** is **always** positioned on the opposite side of the exhaust air duct. Standard hob **S**.

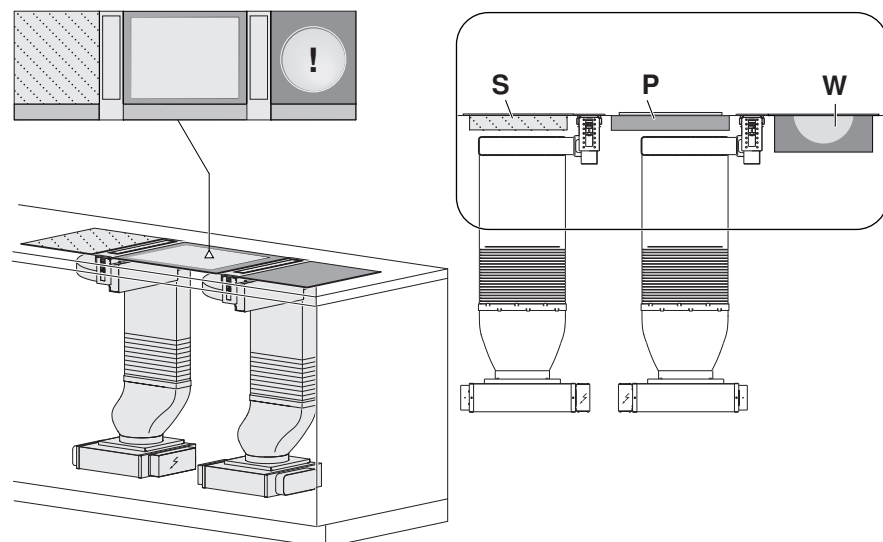


 **A WOK glass ceramic hob and gas hob may not be combined! In general, the use of a gas wok, in any combination, is not permitted.**

2. Example: Three hobs

Air duct in base on both sides to left/right.

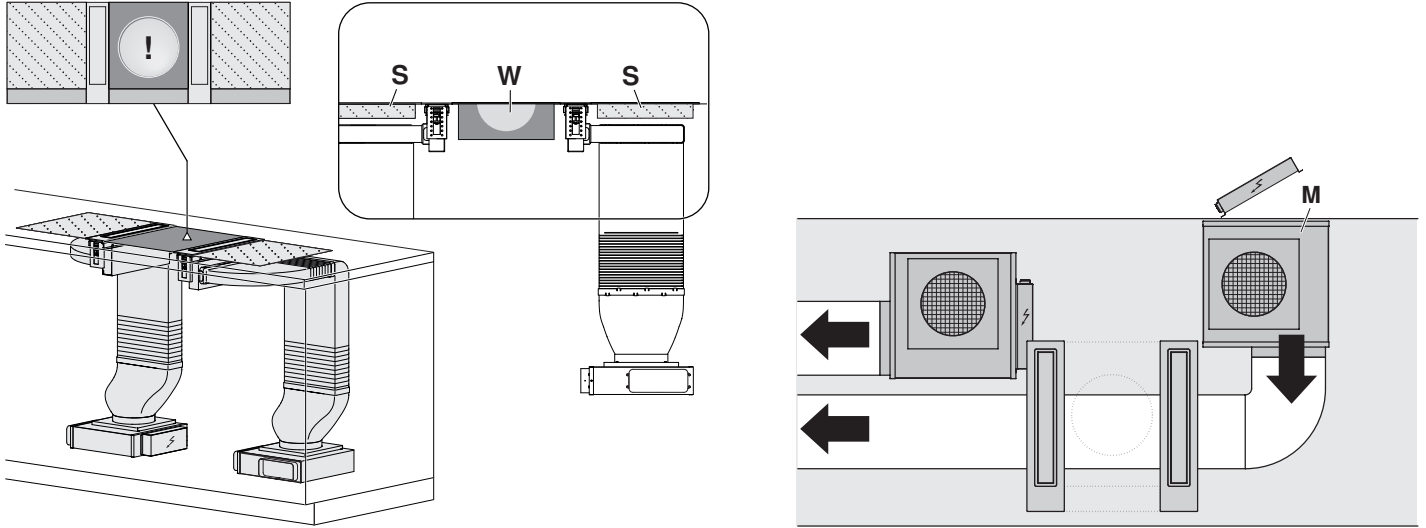
The Teppan Yaki hob **P** (600 mm) is positioned in the middle. The WOK glass ceramic hob / gas hob **W** is **always** positioned on the opposite side of the exhaust air duct. Standard hob **S**.



3. Example: Three hobs

Air duct in base on both sides to outside.

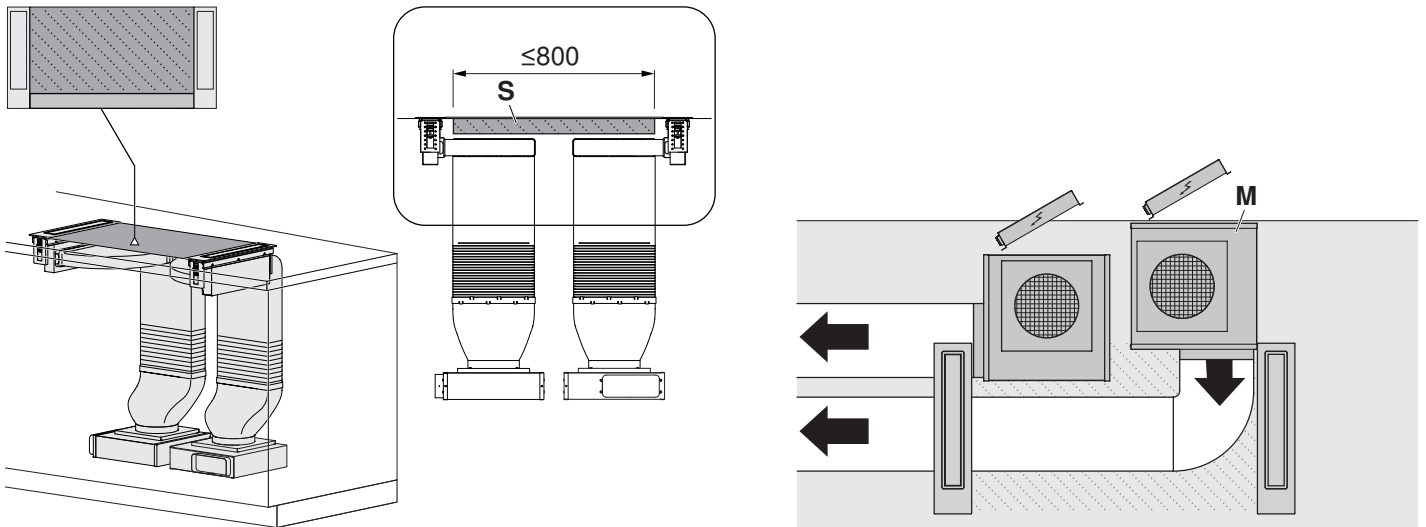
The WOK glass ceramic hob / gas hob **W** (400 mm) is positioned in the middle. Standard hob **S**. Possible position of 2 fan motors **M**.



4. Example: Large hob positioned in the middle

Air duct in base on both sides to inside for space economy.

Allows standard hob **S** with ≤ 800 mm installation width to be positioned in the middle. The WOK glass ceramic hob / gas hob **W** can **not** be positioned in the middle. Possible position of 2 fan motors **M**.



For use with a gas appliance

The hob hood may only be used with the dedicated gas deflector 1031218 (accessory) with one of the gas appliances listed below. Operating the hob hood without the gas deflector is not permitted!

Permitted gas appliances for use with the hob hood:
 V-ZUG gas hob type: **GAS321x, GAS421x, GAS641x**, observing the permitted combination installation variants.

Combining the hob hood with two gas hobs is not permitted!

Using another gas appliance type/model or manufacturer is not permitted and can cause lasting damage to the hob hood.

Failure to observe the above instruction can cause lasting bodily harm and lasting damage to property and the appliance. In such a case, any and all liability, guarantee and goodwill claims will be rejected, now and in the future!

Burns hazard!
 The appliance and surrounding components get hot during operation! Allow the fan flap, gas deflector and other components to cool down before touching them.

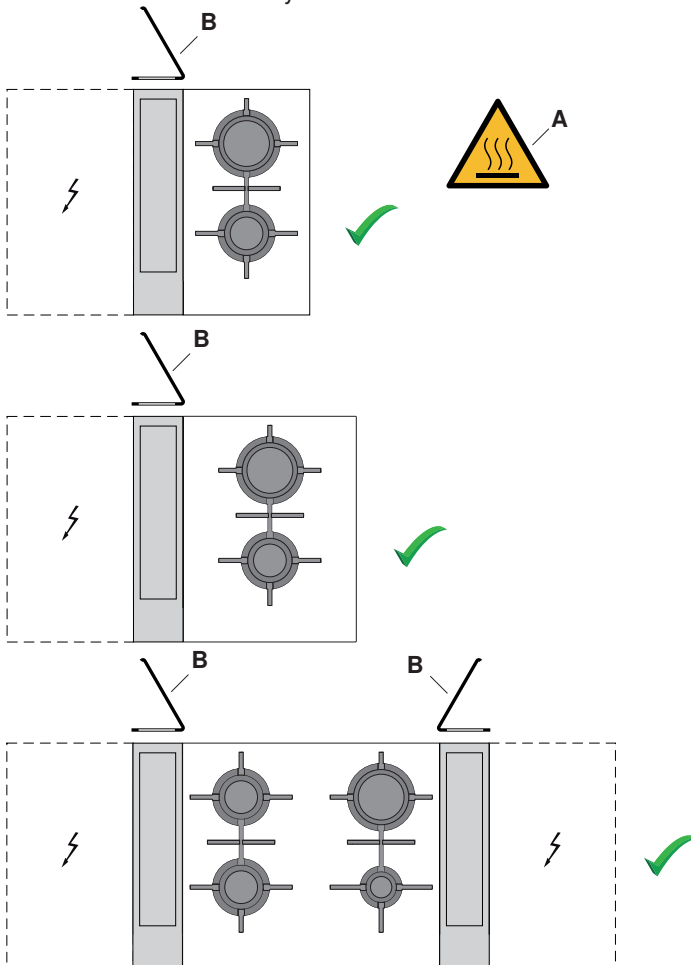
Fire hazard!
 Grease deposits can build up in the grease filter and catch fire. Clean the grease filter regularly. Only operate the appliance with the gas deflector.

Permitted installation variants (V-ZUG gas hob only)

As a variant may also be installed on either side of the appliance.

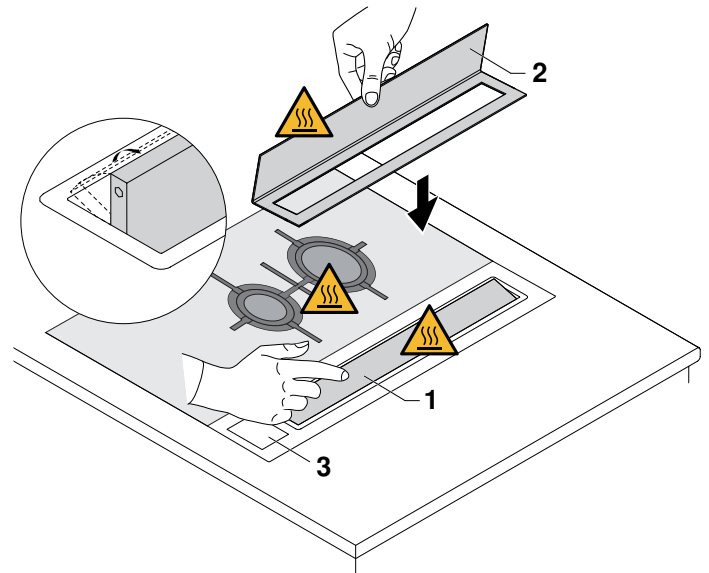
A Caution: Hot surface!

B Gas deflector correctly mounted.



The gas deflector 1031218 (required accessory) reduces the deflection/disturbance of the gas flame at the burner and prevents it being extinguished by a draft.

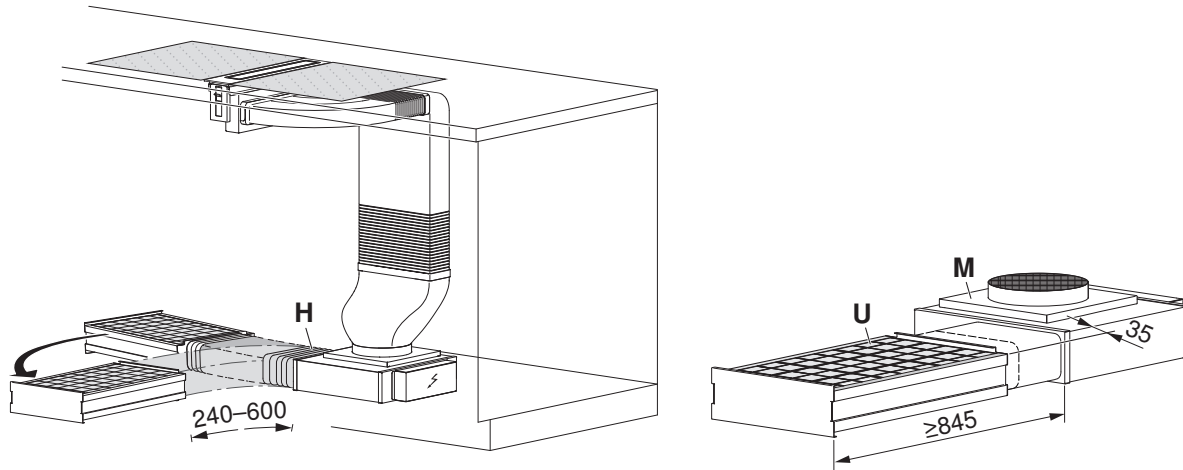
- ▶ Open fan flap 1.
- ▶ Set the gas deflector 2 in the correct position relative to the gas appliance.
- ▶ Switch on hob hood 3.



Installation variant for recirculation hob hood with «recirculation box»

Example: Recirculation mode with recirculation box

Flat flexible elbow, **H**, article no. **1012786** with flexible length (240–600 mm) easy installation/access to fan motor **M** and recirculation box **U**.



Plan in enough space for maintenance work and ensure access to the fan motor and the recirculation box (for replacing the activated charcoal filters)! Exhaust air outlet cross section: Plan min. 500 cm² for exhaust air in base area.

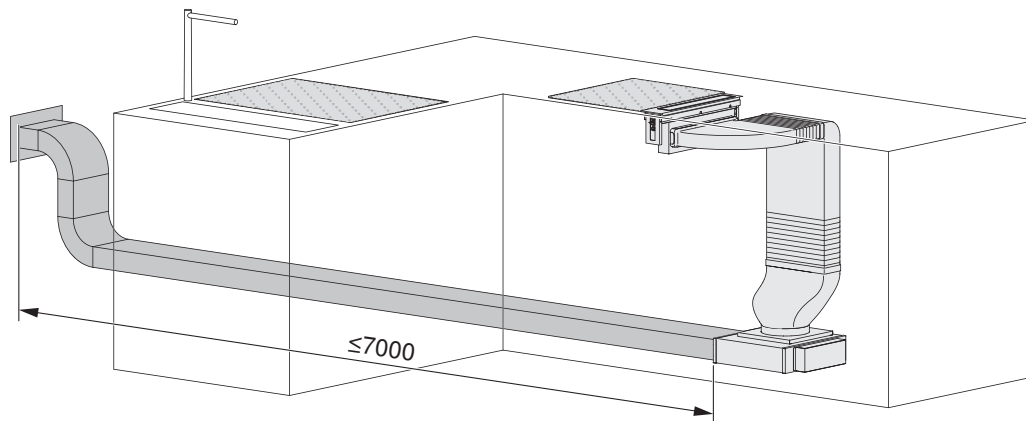


Dedicated accessories that need to be fitted to operate the appliance in the recirculation mode: article no. 1012161 recirculation box with activated charcoal filters!

Installation variant for extraction hob hood

Example: Extraction mode with flat channel (round channel also possible).

Plan in length of flat channel system to air outlet of **max. 7000 mm**. If the exhaust duct is to be routed outdoors, we recommend installing a telescopic wall box (accessory available for order).



Ensure enough space for maintenance work and access to the fan motor and flat channel system!

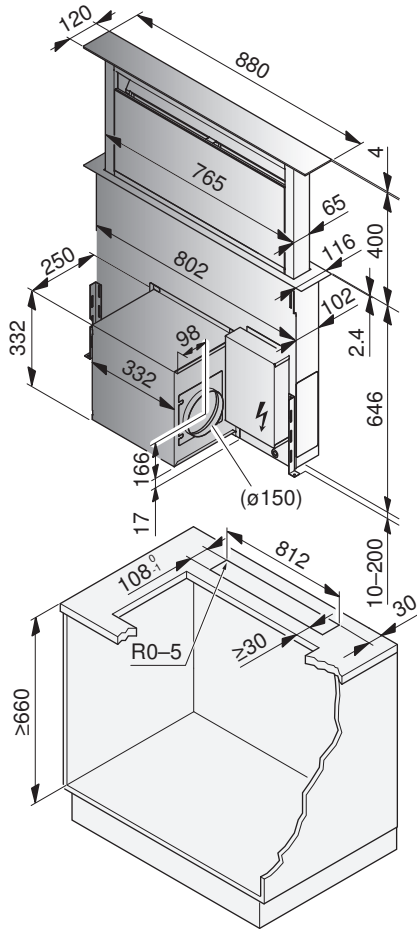


DSTS9 downdraft hood (64004)

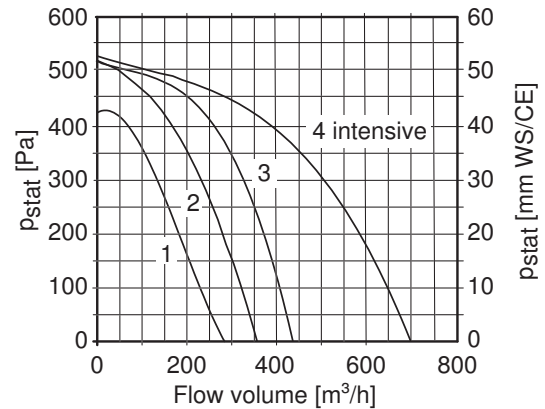
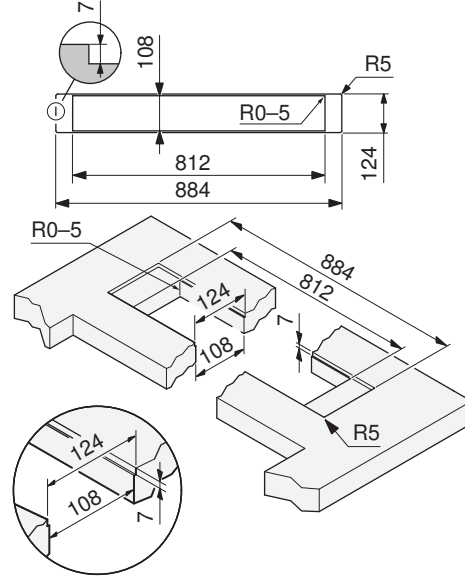
Operating mode	Extraction/recirculation
Noise level	49–69 dB (A)
Illumination	1 × 6 W
Motor	1 × 270 W

Mains connection	220–240 V~ 50–60 Hz, 276 W
Fuse	10 A
Fan speeds	4
Weight	~35 kg

Surface-mounted installation variant



Flush installation variant



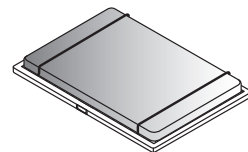
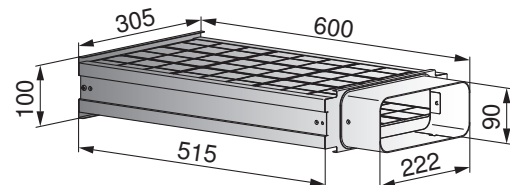
- As an alternative, the motor housing may be planned and mounted to the range hood from the back, though access must be guaranteed from the front for service and installation.
- The exhaust connection can be positioned to point in one of four directions.

Accessories:

Recirculation box 1012161
 For the installation, a transition piece 1012782 or H42078 is needed.
 See Flat channel systems made of plastic (see page 110).

Long-life activated charcoal filter 1012163

Recommendation for hob type:
 GK46TIMPS..., GK47TIMPS...



Exhaust air outlet cross section: Plan min. 500 cm² for exhaust air in base area.

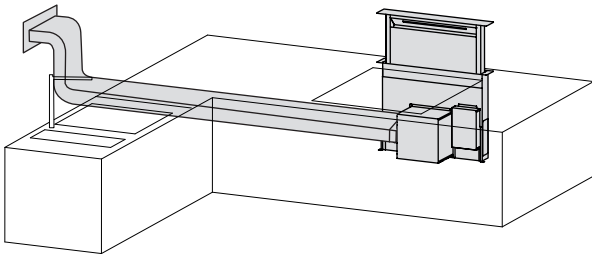
Downdraft hoods

The fan can be rotated for mounting. The exhaust air can thus be extracted upwards, left, right or downwards. The fan can also be mounted in the same position at the back of the appliance. If the fan is to be mounted at the back of the appliance, then the rear panel of the cabinet has to be cut out where the fan is to be mounted and ensure sufficient installation space behind the cabinet. Access from the front for servicing and installation purposes must be ensured. The electricians can, if required, be positioned to the left of the fan, on the hood body or in the cabinet. Variants with external motor as an option are also possible.

Installation variants

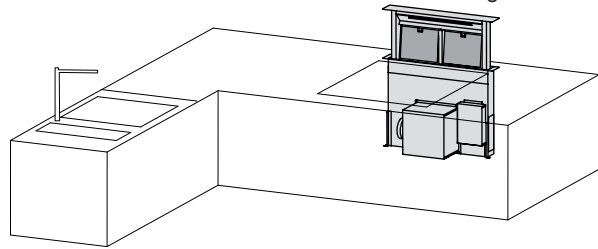
Downdraft extraction hoods

For this installation variant, the base fan feeds the exhaust air through the exhaust air pipe or in a space-saving way through a flat channel through the wall.



Downdraft recirculation hoods with «activated charcoal filters»

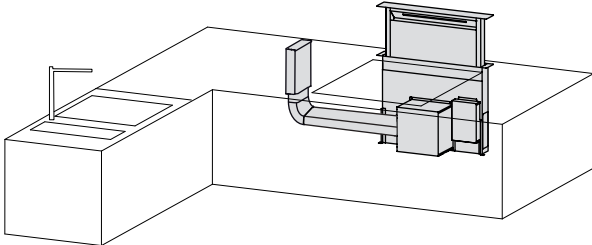
The activated charcoal filters are placed at the front, behind the grease filter, for this installation variant. For example, the exhaust air can be fed back into the room through a shadow gap.



Exhaust air outlet cross section: plan min. 500 cm² for exhaust air in base area.

Downdraft recirculation hoods with «recirculation box»

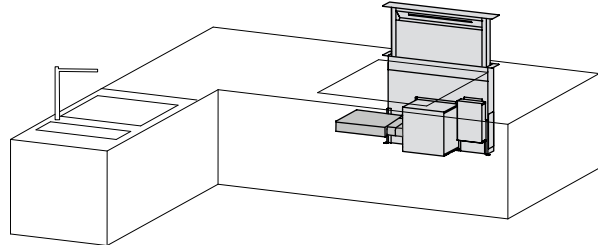
The recirculation box is connected to the flat channel in an upright position for this installation variant. For example, the exhaust air can be fed back into the room through a shadow gap. Plans must include an inspection opening for replacing the filter in the recirculation box for this construction variant.



Exhaust air outlet cross section: plan min. 500 cm² for exhaust air in base area.

Downdraft recirculation hoods with «recirculation box»

The recirculation box is connected to the base fan for this installation variant. For example, the exhaust air can be fed back into the room through a shadow gap. Plans must include an inspection opening for replacing the filter in the recirculation box for this construction variant.

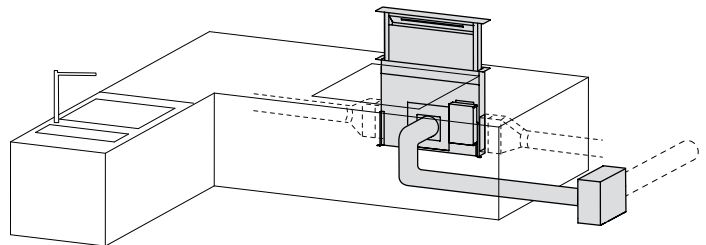


Exhaust air outlet cross section: plan min. 500 cm² for exhaust air in base area.

Requires external motor set 1012164.

Downdraft hood with external motor

The motor can be placed externally for this installation variant, e.g. in an adjacent cabinet. A maximum distance of 4 m is recommended. The external motor must be installed on the inside.





10.3 Built-in hoods

Applicable to the following hoods:

- Connection cable 1.2 m with plug

Positions of electrical connections



The specified dimensions are valid for straight exhaust air piping. If exhaust air piping with an elbow are used, the dimensions must be adapted accordingly.

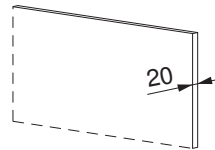
Appliance	Connection from floor (plinth height 100 mm)	Connection in niche (from centre to connection)	Type of connection
All models	2050 mm	180 mm	Flush power socket 220–240 V

AiroClearCabinet V4000 (64009/64010)

Operating mode	Extraction/recirculation	Mains connection	220–240 V~ 50 Hz, 269 W
Noise level	49–67 dB (A)	Fuse	10 A
Illumination	2 × 2 W	Fan speeds	4
Motor	265 W	Weight	19.6 kg / 22.9 kg

Use of stone cladding

20 mm thick wall panels (granite, marble) are possible.

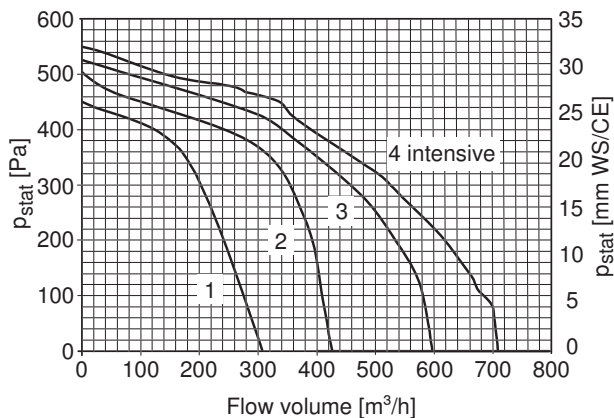
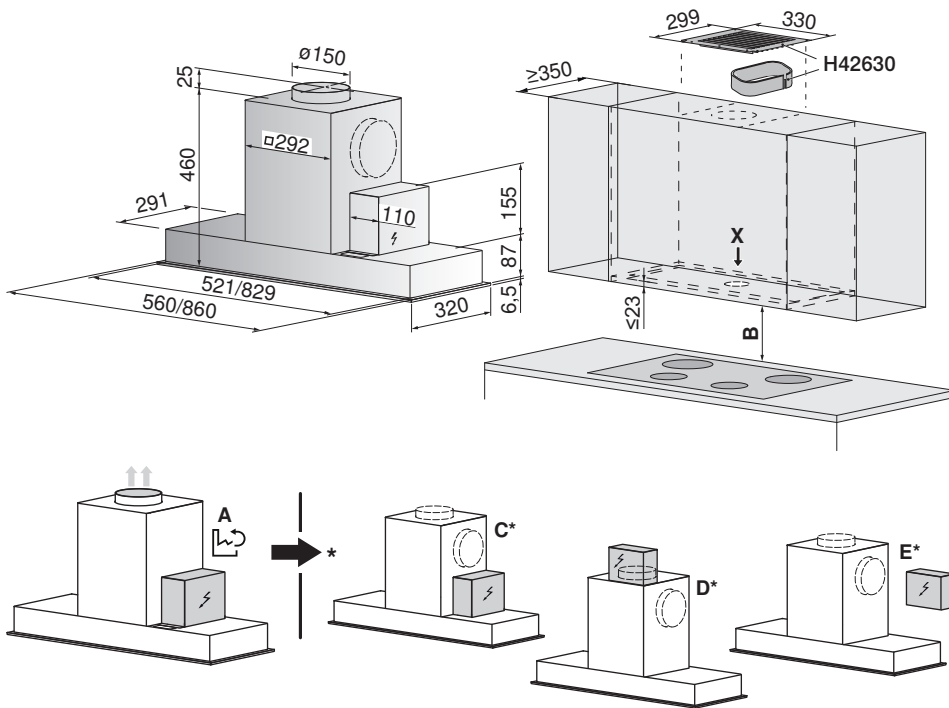


Minimum distance B above hob:

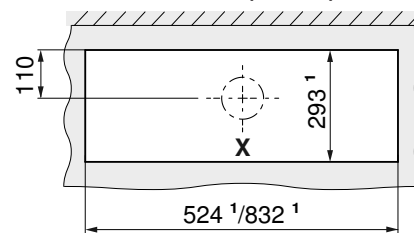
For electric hob: 500 mm
 For gas hob: 750 mm
 Note on minimum distance (see page 65)

Ex works A

(*) Options C/D/E: Options for positioning elec. box and air outlet.



Cut-out for wall unit (view X)

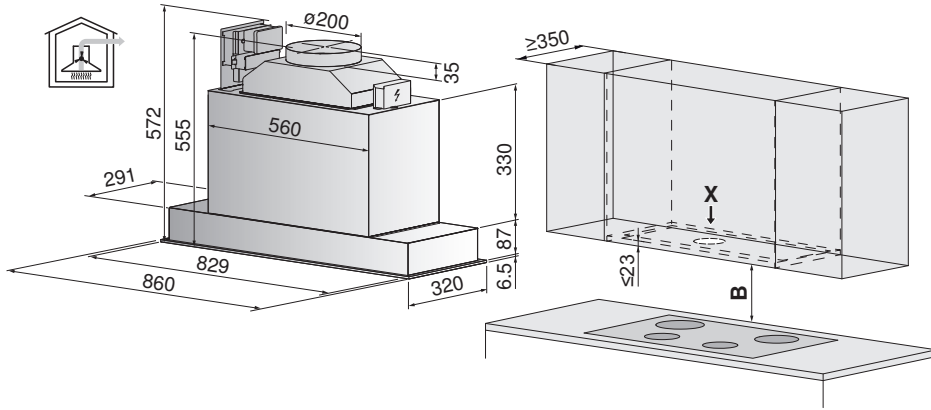


¹ Cut-out measurements



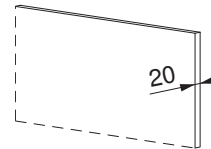
AiroClearCabinet V4000 Twin Blower (64011)

Operating mode	Extraction	Mains connection	220–240 V~ 50 Hz, 534 W
Noise level	56–71 dB (A)	Fuse	10 A
Illumination	2 × 2 W	Fan speeds	4
Motor	2 × 265 W	Weight	27 kg.



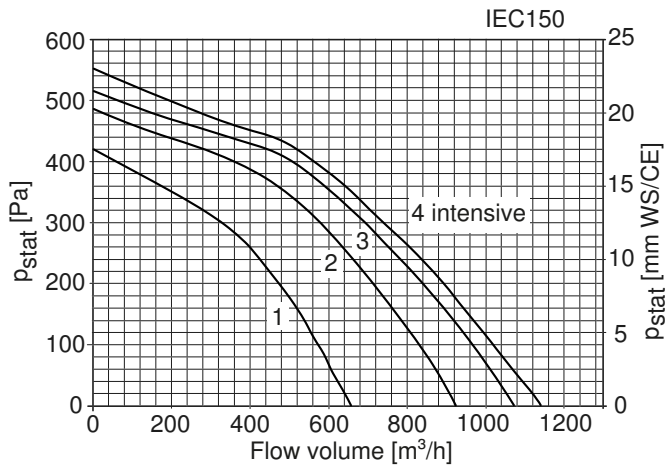
Use of stone cladding

20 mm thick wall panels (granite, marble) are possible.

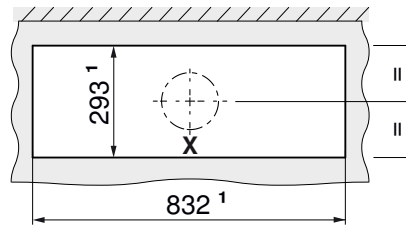


Minimum distance B above hob:

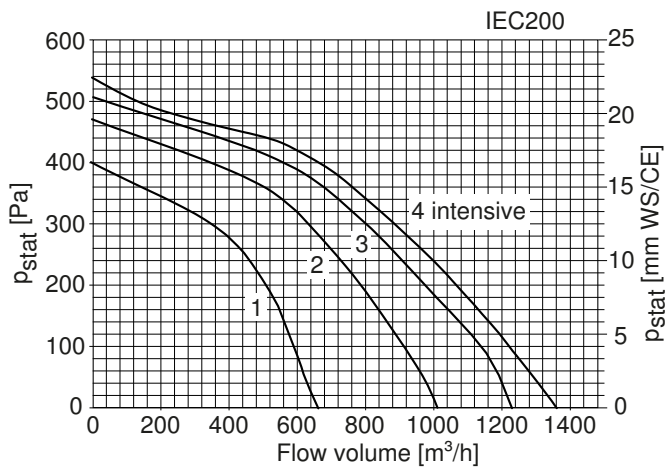
For electric hob: 500 mm
 For gas hob: 750 mm
 Note on minimum distance (see page 65)



Cut-out for wall unit (view X)



¹ Cut-out measurements



11 Dishwashers

11.1 General notes



Efficient repairs can only be guaranteed if it is possible to uninstall the whole appliance at any time without causing any damage.



At any time it must be possible to pull the appliance out of the niche horizontally without dismantling any part of the cabinet.



For work surfaces that are susceptible to moisture, use work surface protection W70163.

General operating conditions

Ambient temperature: from min. 10 °C to max. 35 °C

The appliances are designed for use up to a max. altitude of 2,000 m above sea level.

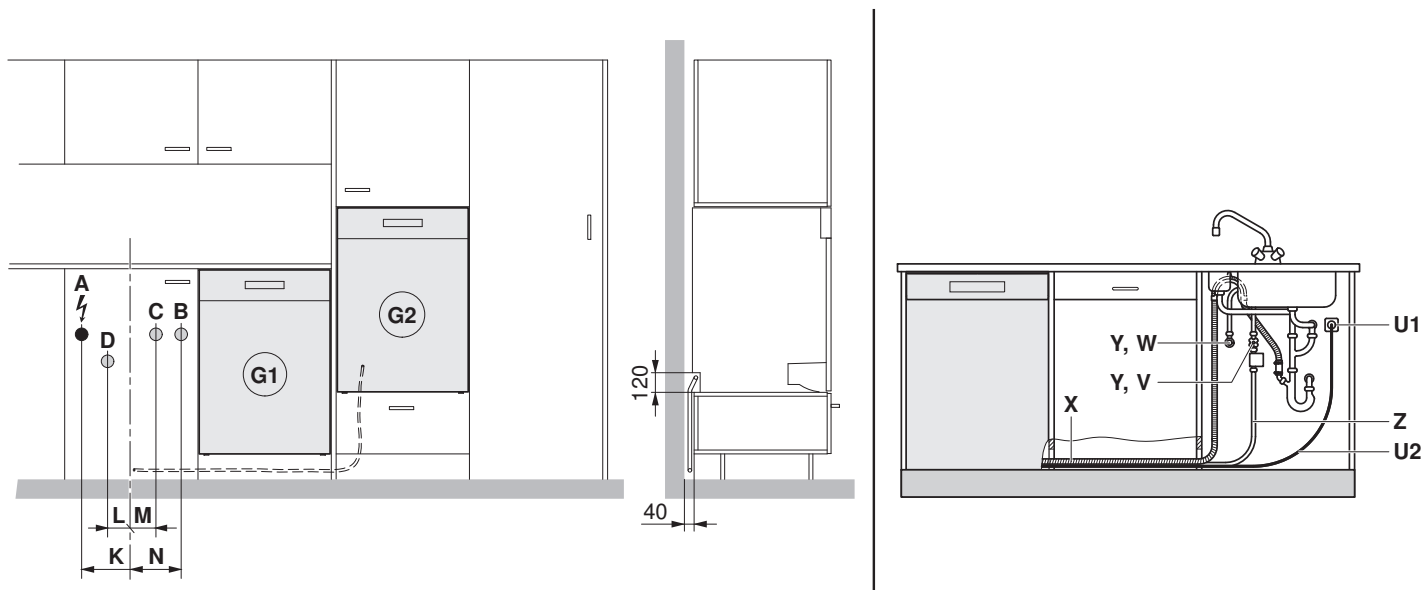
Validity

Model designation	Type	Model number
AdoraDish V2000	AS2T	41108
AdoraDish V6000	AS6T	41118, 41120

Dishwashers with heat pump (see page 90)

11.2 Electrical connection data / plumbing in

Example of connection



Designation		Connection from floor (plinth height 105 mm)	Connection in niche (from centre to connection)	Type of connection
A	Electrical connection	600 mm	K = 160 mm	Flush power socket 220–240 V
B	Cold water	600 mm	N = 170 mm	G ³ / ₄ "
C	Hot water *	600 mm	M = 70 mm	G ³ / ₄ "
D	Outlet	400 mm	L = 110 mm	ø56 mm
G1	Dishwasher in base unit	Connection in adjacent compartment left or right		
G2	Dishwasher in tall unit	Connection in max. 2 compartments left or right		
U1	Power socket	Yes		
U2	Connection cable	Length 1.50 m **		
V	Cold water connection	Yes		
W	Hot water connection *	Yes		
X	Drain hose	Length 1.55 m ** / internal diameter = 22 mm		
Y	Shut-off devices	Yes, ³ / ₄ "		
Z	Aquastop / water inlet with filter, G ³ / ₄ "	Length 1.55 m **		

* The hot water connection can be activated for a water flow temperature of at least 45 °C to maximum 75 °C. For the “No heating” function, a water flow temperature of 60 °C is recommended.

** If the standard connection length is not long enough, order the CS set with a longer connection length (AdoraDish (see page 118)).



Special lengths must be connected directly to the appliance. Lengthening the inlet and drain hoses is not permitted.

Electrical connection data



General information on the electrical connections and an overview of the positions can be found in section Overview of connections, ranges and dimensions (see page 5).

Model designation	Type	Model number	Rated load	Mains connection	Fuse	Mains cable
AdoraDish V6000	AS6T	41118, 41120	2200 W	220–240 V~ 50 Hz	10 A	1.5 m, with plug
AdoraDish V2000	AS2T	41108	2200 W	220–240 V~ 50 Hz	10 A	

Plumbing-in data



For special cases with water hardness in excess of 50 °fH, an external water softener is recommended.

Value		Nominal value	Minimum	Maximum
Mains pressure (0.1 MPa = 1 bar)	Static	0.3–0.4 MPa	0.1 MPa	1.0 MPa
	Flowing	–	0.08 MPa	1.0 MPa
Water hardness		–	0.5 °fH	50 °fH
Water inlet temperature		–	5 °C	60 °C



11.3 Installation overview

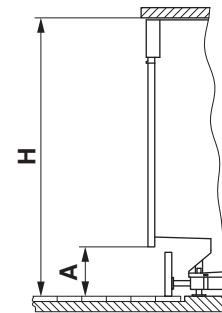
Depending on niche height **H**, either standard or extra height appliances or only one of the two can be installed.

Niche height **H** in mm

	790	800	810	820	830	840	851	860	870	880	890	900	910	920	930	940	950	960
250												S						G
240											S	S					G	G
230									S	S	S	S				G	G	G
220									S	S	S	S			G	G	G	G
210								S	S	S	S	S		G	G	G	G	G
200							S	S	S	S	S	S	G	G	G	G	G	G
190						S	S	S	S	S	S	S/G	G	G	G	G	G	G
180					S	S	S	S	S	S	S	S/G	G	G	G	G	G	G
170				S	S	S	S	S	S	S/G	S/G	S/G	G	G	G	G	G	G
160			S	S	S	S	S	S	S/G	S/G	S/G	S/G	G	G	G	G	G	G
150		S	S	S	S	S	S	S/G	S/G	S/G	S/G	S/G	G	G	G	G	G	G
140	S	S	S	S	S	S	S/G	S/G	S/G	S/G	S/G	S/G	G	G	G	G	G	G
130	S	S	S	S	S	S	S/G	S/G	S/G	S/G	S/G	G	G	G	G	G	G	
120	S	S	S	S	S	S	S/G	S/G	S/G	S/G	G	G	G	G	G	G	G	
110	S	S	S	S	S	S	S/G	S/G	S/G	G	G	G	G	G	G			
107	S	S	S	S	S	S	S/G	S/G	S/G	G	G	G	G	G				
100	S	S	S	S	S	S	S/G	S/G	G	G	G	G	G	G				
90	S	S	S	S	S	S	S/G	G	G	G	G	G	G					
80	S	S	S	S	S	S	G	G	G	G	G	G						
70	S	S	S	S	S		G	G	G	G	G							
60	S	S	S	S			G	G	G	G								
50	S	S	S				G	G	G									
40	S	S					G	G										
30	S						G											
23							G											

Dimension **A** in mm

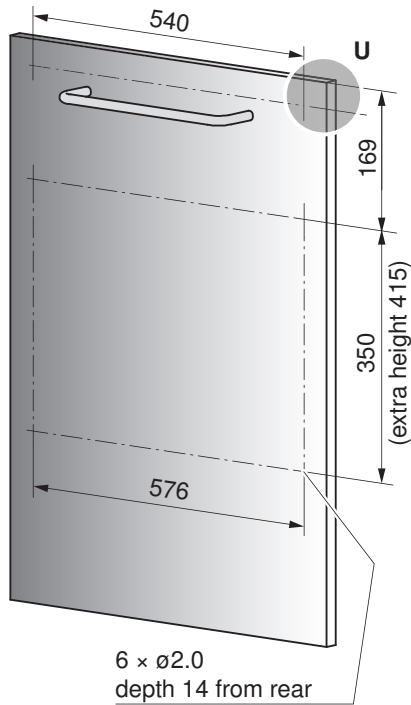
- S Standard
- G Extra height
- S/G Standard and extra height



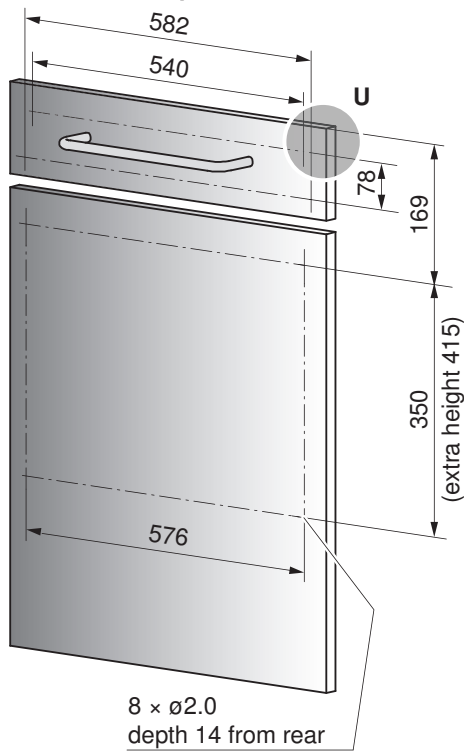


11.4 Drilling plans for decor panel 60 cm

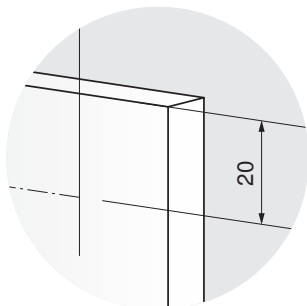
fully integrated



two-part



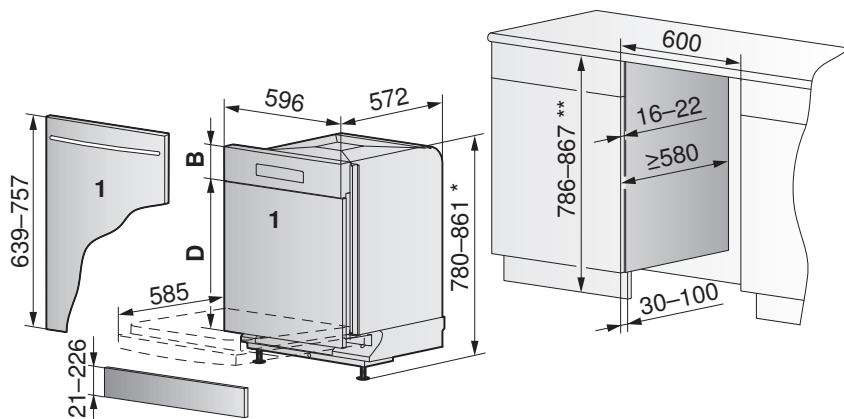
Detail U



11.5 Dishwasher with niche width 60 cm

For worktops that are susceptible to moisture ingress, use worktop protection W70163.

Base unit «standard»

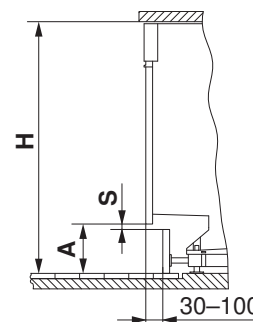


* From 861 up to max. 896 with a second runner only, can be ordered under W82930

** From 867 up to max. 902 with a second runner only, can be ordered under W82930

► Front panel / decor system (wood) 1 must be cut to the required dimensions.

		Niche height H in mm												Min. S in mm	
		790	800	810	820	830	840	850	860	870	880	890	900		
Dimension A in mm	↑	Min.	27	37	47	57	67	77	87	97	107	117	127	137	2
			37	47	57	67	77	87	97	107	117	127	137	147	2
			47	57	67	77	87	97	107	117	127	137	147	157	2
			57	67	77	87	97	107	117	127	137	147	157	167	2
			67	77	87	97	107	117	127	137	147	157	167	177	2
			77	87	97	107	117	127	137	147	157	167	177	187	2
			87	97	107	117	127	137	147	157	167	177	187	197	2
			97	107	117	127	137	147	157	167	177	187	197	207	2
			107	117	127	137	147	157	167	177	187	197	207	217	5
			117	127	137	147	157	167	177	187	197	207	217	227	10
			127	137	147	157	167	177	187	197	207	217	227	237	15
			137	147	155	167	177	187	197	207	217	227	237	247	23
			Max.	145	155	165	175	185	195	205	215	225	235	245	255



The permissible weights of the front panel / decor panel system 1 depend on the design variant:

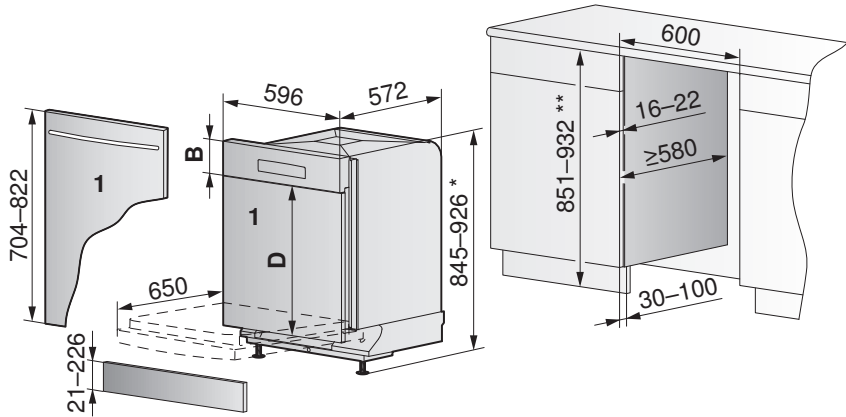
Decor system	Fully integrated
Minimum weight	5 kg
Maximum weight	7 kg
Maximum weight with strong springs (special set W84603)	Up to 10 kg

- The weight dimensions only apply to uniform decor panels up to 22 mm thick.
- For decor panel that are thick or uneven (e.g. frame constructions or bevelled glass plates), the CS set «Door hinge brake» (art. no. 1011228) can be used to provide additional stability to the appliance door when pushed open.

For different dimensions / decor panel weights, check using the “Calculation of special decor panel for dishwashers” tool: <https://www.vzug.com/b2b/gb/en/planningaid>



Base unit «extra height»

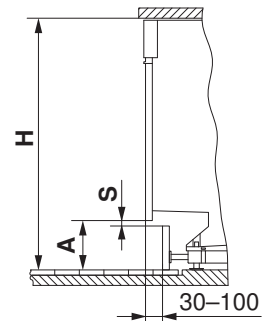


* From 926 up to max. 961 with a second runner only, can be ordered under W82930

** From 932 up to max. 967 with a second runner only, can be ordered under W82930

► Front panel / decor system (wood) 1 must be cut to the required dimensions.

		Niche height H in mm												Min. S in mm
		851	860	870	880	890	900	910	920	930	940	950	960	
Dimension A in mm	Min.	23	32	42	52	62	72	82	92	102	112	122	132	2
		33	42	52	62	72	82	92	102	112	122	132	142	2
		43	52	62	72	82	92	102	112	122	132	142	152	2
		53	62	72	82	92	102	112	122	132	142	152	162	2
		63	72	82	92	102	112	122	132	142	152	162	172	2
		73	82	92	102	112	122	132	142	152	162	172	182	2
		83	92	102	112	122	132	142	152	162	172	182	192	2
		93	102	112	122	132	142	152	162	172	182	192	202	2
		103	112	122	132	142	152	162	172	182	192	202	212	5
		113	122	132	142	152	162	172	182	192	202	212	222	10
		123	132	142	152	162	172	182	192	202	212	222	232	15
		133	142	152	162	172	182	192	202	212	222	232	242	23
	Max.		141	150	160	170	180	190	200	210	220	230	240	250



The permissible weights of the front panel / decor panel system 1 depend on the design variant:

Decor system	Fully integrated
Minimum weight	5 kg
Maximum weight	7.5 kg
Maximum weight with strong springs (special set W84604)	Up to 9 kg

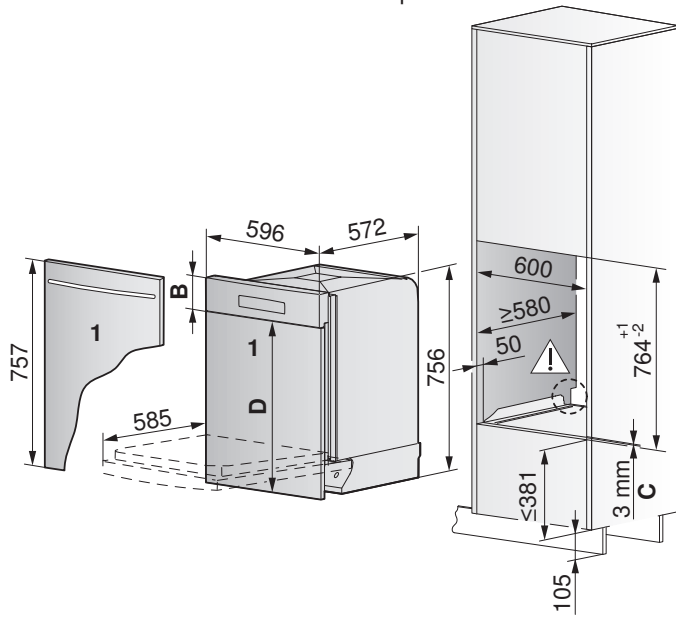
- The weight dimensions only apply to uniform decor panels up to 22 mm thick.
- For decor panel that are thick or uneven (e.g. frame constructions or bevelled glass plates), the CS set «Door hinge brake» (art. no. 1011228) can be used to provide additional stability to the appliance door when pushed open.



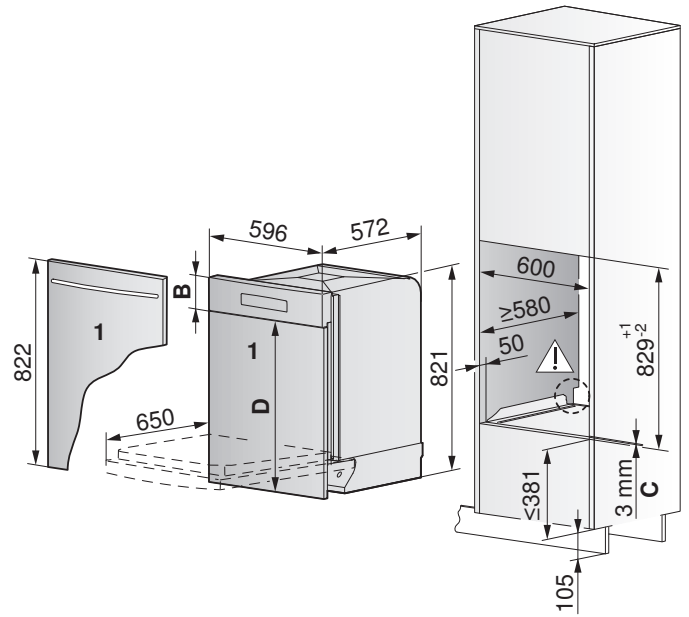
For different dimensions / decor panel weights, check using the “Calculation of special decor panel for dishwashers” tool: <https://www.vzug.com/b2b/gb/en/planningaid>

Tall unit «standard»

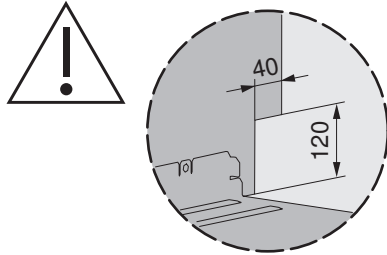
Can also be installed in base unit on plinth



Tall unit «extra height»

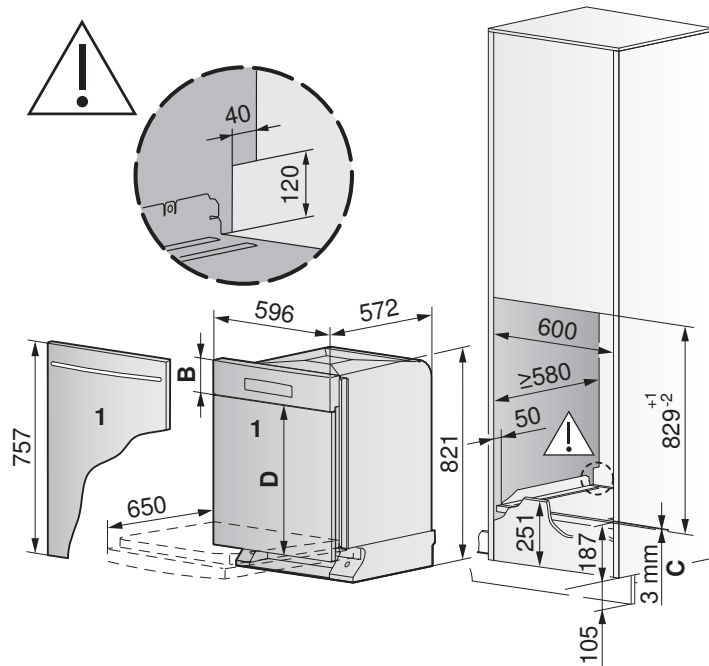


C Slide plate *

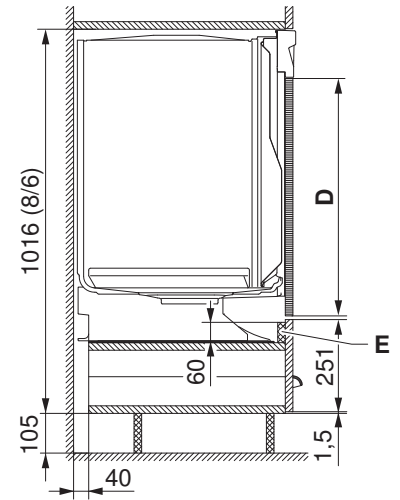


* Slide plate conversion set for tall unit must be ordered from V-ZUG, see Accessories (see page 118).

Tall unit «extra height» with decor panel and drawer 251 mm



Cross-section of installation variant



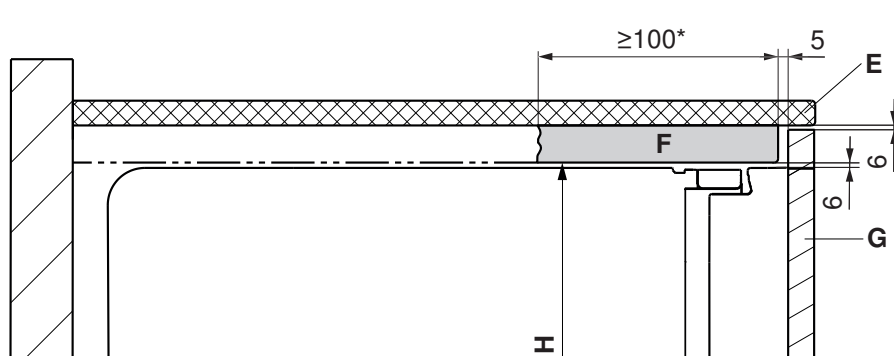
C Slide plate *

E Removable cover strip



* Slide plate conversion set for tall unit must be ordered from V-ZUG, see Accessories (see page 118).

Installing extra-long decor panel



* A continuous soffit vent is recommended.

- E Worktop
- F Continuous soffit vent
- G Decor panel
- H Niche height



12 Dishwashers with heat pump

12.1 General notes



It must be possible to pull the appliance out of the niche horizontally at any time without dismantling any part of the cabinet.

- ▶ Screws and fasteners must be countersunk in the niche. There should be no protruding parts, screw heads, brackets, etc., otherwise parts of the appliance could become damaged (risk of water damage).
- ⇒ Efficient repairs can only be guaranteed if it is possible to uninstall the whole appliance at any time without causing any damage.



It must be ensured air gap remains in the shadow gap.



General operating conditions

Ambient temperature: from min. 10 °C to max. 35 °C

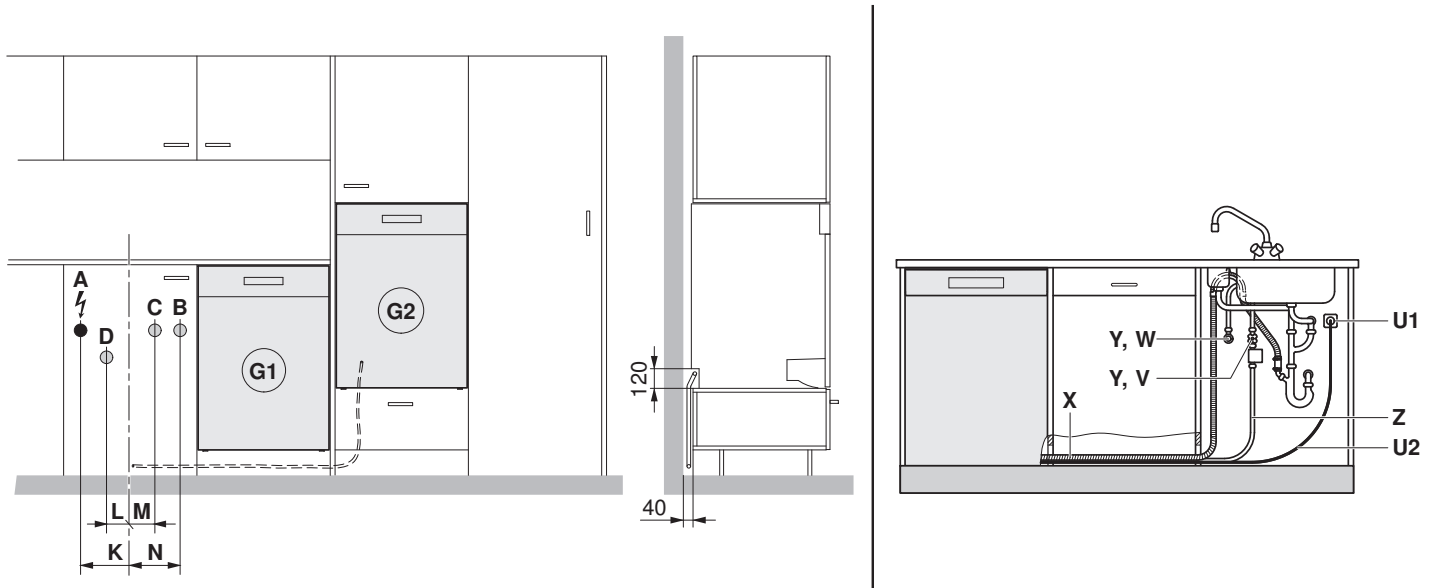
The appliances are designed for use up to a max. altitude of 2,000 m above sea level.

Validity

Model designation	Type	Model number
AdoraDish V6000	AS6T	41 121

12.2 Electrical connection data / plumbing in

Example of connection



Designation		Connection from floor (plinth height 105 mm)	Connection in niche (from centre to connection)	Type of connection
A	Electrical connection	600 mm	K = 160 mm	Flush power socket 220–240 V
B	Cold water	600 mm	N = 170 mm	G ³ / ₄ "
C	Hot water *	600 mm	M = 70 mm	G ³ / ₄ "
D	Outlet	400 mm	L = 110 mm	ø56 mm
G1	Dishwasher in base unit	Connection in adjacent compartment left or right		
G2	Dishwasher in tall unit	Connection in max. 2 compartments left or right		
U1	Power socket	Yes		
U2	Connection cable	Length 1.50 m **		
V	Cold water connection	Yes		
W	Hot water connection *	Yes		
X	Drain hose	Length 1.55 m ** / internal diameter = 22 mm		
Y	Shut-off devices	Yes, 3/4"		
Z	Aquastop / water inlet with filter, G ³ / ₄ "	Length 1.55 m **		

* The hot water connection can be activated for a water flow temperature of at least 45 °C to maximum 75 °C. For the “No heating” function, a water flow temperature of 60 °C is recommended.

** If the standard connection length is not long enough, order the CS set with a longer connection length (AdoraDish (see page 118)).



Special lengths must be connected directly to the appliance. Lengthening the inlet and drain hoses is not permitted.



Electrical connection data



General information on the electrical connections and an overview of the positions can be found in section Overview of connections, ranges and dimensions (see page 5).

Model designation	Type	Model number	Rated load	Mains connection	Fuse	Mains cable
AdoraDish V6000	AS6T	41121	2200 W	220–240 V~ 50 Hz	10 A	1.5 m, with plug

Plumbing-in data



For special cases with water hardness in excess of 50 °fH, an external water softener is recommended.

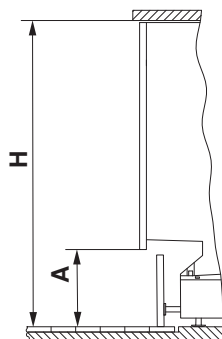
Value		Nominal value	Minimum	Maximum
Mains pressure (0.1 MPa = 1 bar)	Static	0.3–0.4 MPa	0.1 MPa	1.0 MPa
	Flowing	–	0.08 MPa	1.0 MPa
Water hardness		–	0.5 °fH	50 °fH
Water inlet temperature		–	5 °C	60 °C

12.3 Installation summary



Keep base compartment unobstructed, appliance stands on the floor.

		Nischenhöhe H in mm				
		870	880	890	900	910
Mass A in mm	200					S
	190				S	S
	180			S	S	S
	170		S	S	S	S
	160	S	S	S	S	S
	150	S	S	S	S	S
	140	S	S	S	S	
	130	S	S	S		
	120	S	S			
	110	S				
105	S					

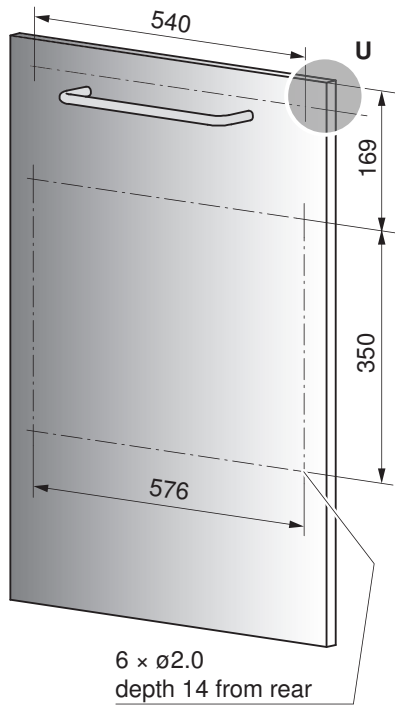


S Standard ohne Möbelsockel

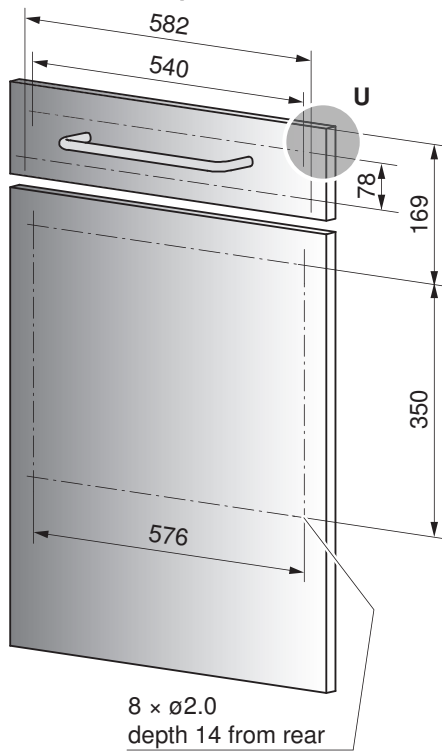


12.4 Drilling plans for decor panel 60 cm

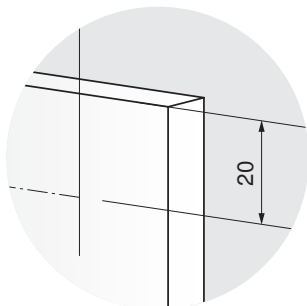
fully integrated



two-part



Detail U

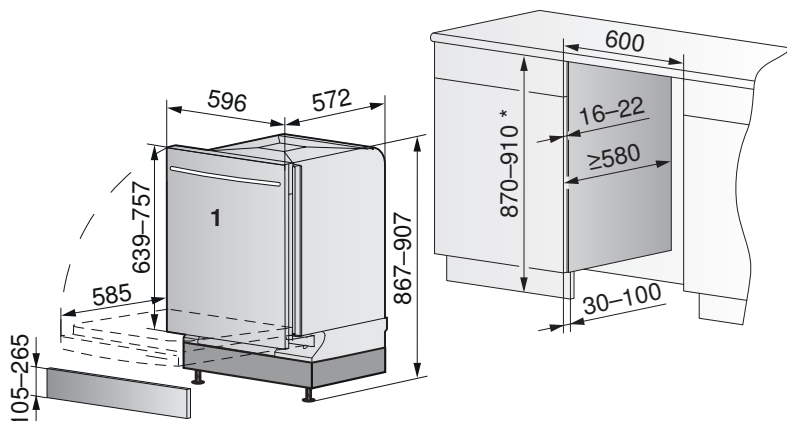


12.5 Dishwasher with niche width 60 cm



For worktops that are susceptible to moisture ingress, use worktop protection W70163.

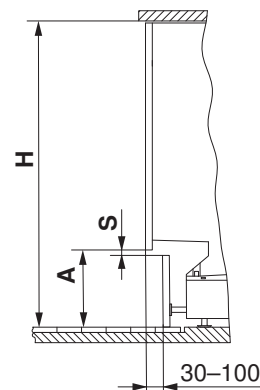
Base unit



* If the niche height is greater than 910 mm, a plate must be placed underneath the appliance or an extra-long decor panel must be used.

► Front panel / decor system (wood) 1 must be cut to the required dimensions.

Dimension A in mm	Niche height H in mm					Min. S in mm
	870	880	890	900	910	
Min.	107	117	127	137	147	2
	117	127	137	147	157	2
	127	137	147	157	167	2
	137	147	157	167	177	2
	147	157	167	177	187	2
	157	167	177	187	197	2
	167	177	187	197	207	2
	177	187	197	207	217	2
	187	197	207	217	227	5
	197	207	217	227	237	10
	207	217	227	237	247	15
	217	227	237	247	257	23
Max.	225	235	245	255	265	30



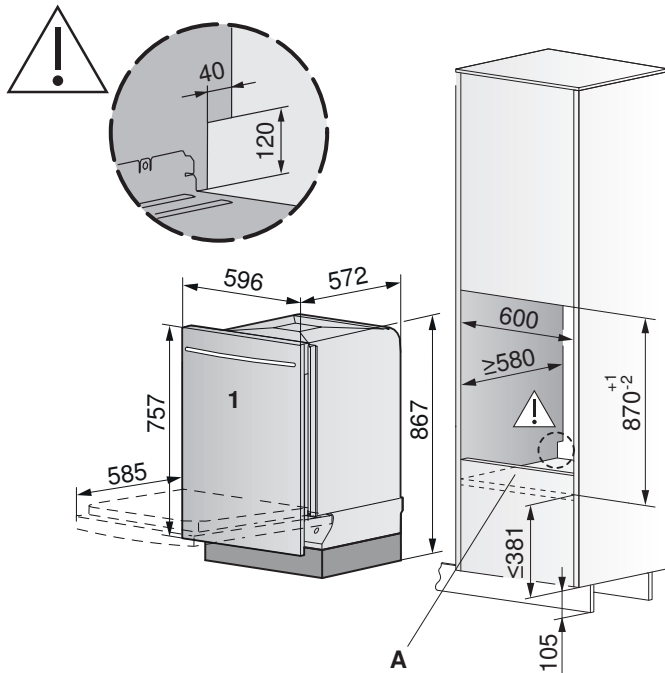
Decor system	Fully integrated
Minimum weight	5 kg
Maximum weight	7 kg
Special set of strong springs W84603	Up to 10 kg

- The weight dimensions only apply to uniform decor panels up to 22 mm thick.
- For decor panel that are thick or uneven (e.g. frame constructions or bevelled glass plates), the CS set «Door hinge brake» (art. no. 1011228) can be used to provide additional stability to the appliance door when pushed open.

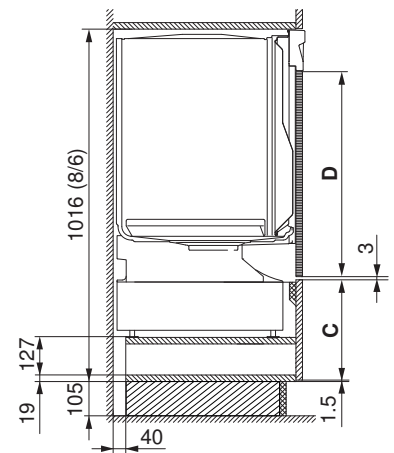


For different dimensions / decor panel weights, check using the “Calculation of special decor panel for dishwashers” tool: <https://www.vzug.com/b2b/gb/en/planningaid>

Tall unit

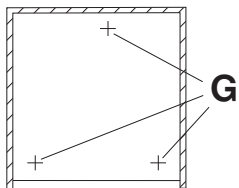


Cross-section of installation example



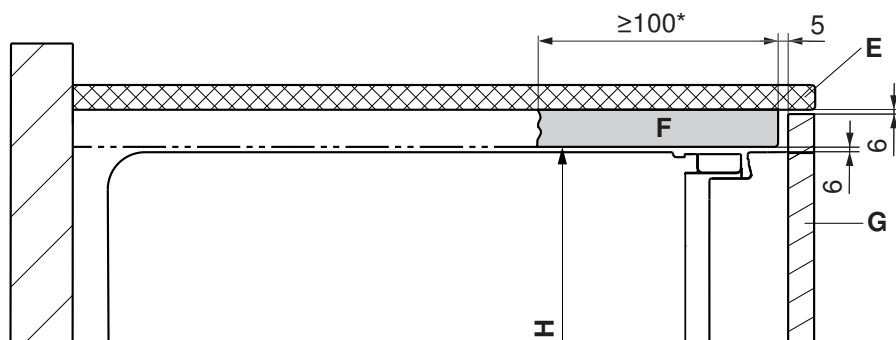
C Removable lower front panel (251)

Niche floor A



- Load-bearing capacity of niche floor A: 100 kg
- Given a load of 75 kg per appliance foot G, the niche floor may sag by a max. of 1 mm.

Installing extra-long decor panel



* A continuous soffit vent is recommended.

- E Worktop
- F Continuous soffit vent
- G Decor panel
- H Niche height

13 Refrigerators

13.1 General notes



Insufficient ventilation can cause a malfunction and shorten the life of the appliance.

Heavy door panel weights shorten the service life of the door hinges. Observe maximum permissible weight.

Efficient repairs can only be guaranteed if it is possible to uninstall the whole appliance at any time without causing any damage.

In an open-plan kitchen and living room, higher noise emissions can be expected if the ventilation slits face into the room.

13.2 Electrical connection data

Appliance	Climate class	Mains connection	Fuse	Mains cable
Refrigerators				
CombiCooler V6000 Supreme (51096)	SN-T	220–240 V~ 50 Hz	10 A	2.0 m, with plug
Cooler V6000 Supreme (51098)	SN-T			
Winecoolers				
Winecooler V6000 Supreme (51097)	SN-T	220–240 V~ 50 Hz	10 A	2.0 m, with plug
Freezers				
Freezer V6000 Supreme (51099)	SN-T	220–240 V~ 50 Hz	10 A	2.0 m, with plug

13.3 Ambient conditions



Condensate may form in the appliance in tropical conditions and this has to be taken into account in the planning.

Climate class	Minimum	Maximum
SN	+10 °C:	+32 °C:
N	+16 °C:	+32 °C:
ST	+16 °C:	+38 °C:
T	+16 °C:	+43 °C:

13.4 Niche ventilation

For trouble-free heat dissipation of the appliance, an air duct must be provided whose width is no greater than the width of the unit with an unobstructed passage of at least 200 cm² from the air inlet in the plinth area **A** to the air outlet at the back **B** and at the front at the top **C**.

If there are wall units the ventilation gap **x** must be selected according to the following table.

If, for design reasons, a smaller ventilation gap **y** is preferred for the front-facing air outlet at the top, then ventilation at the top must be possible across several unit widths. The dimensions for **y** are given in the following table.

If refrigerators/freezers are installed side by side, the cross-section requirements for the air duct are doubled (**width b**).

Dimensions per appliance	b (mm)	y (mm)	x (mm)	
	550–568	≥40	≥50	
	1100–1168	≥30	≥100	
	≥1650	≥20		

13.5 Refrigerators

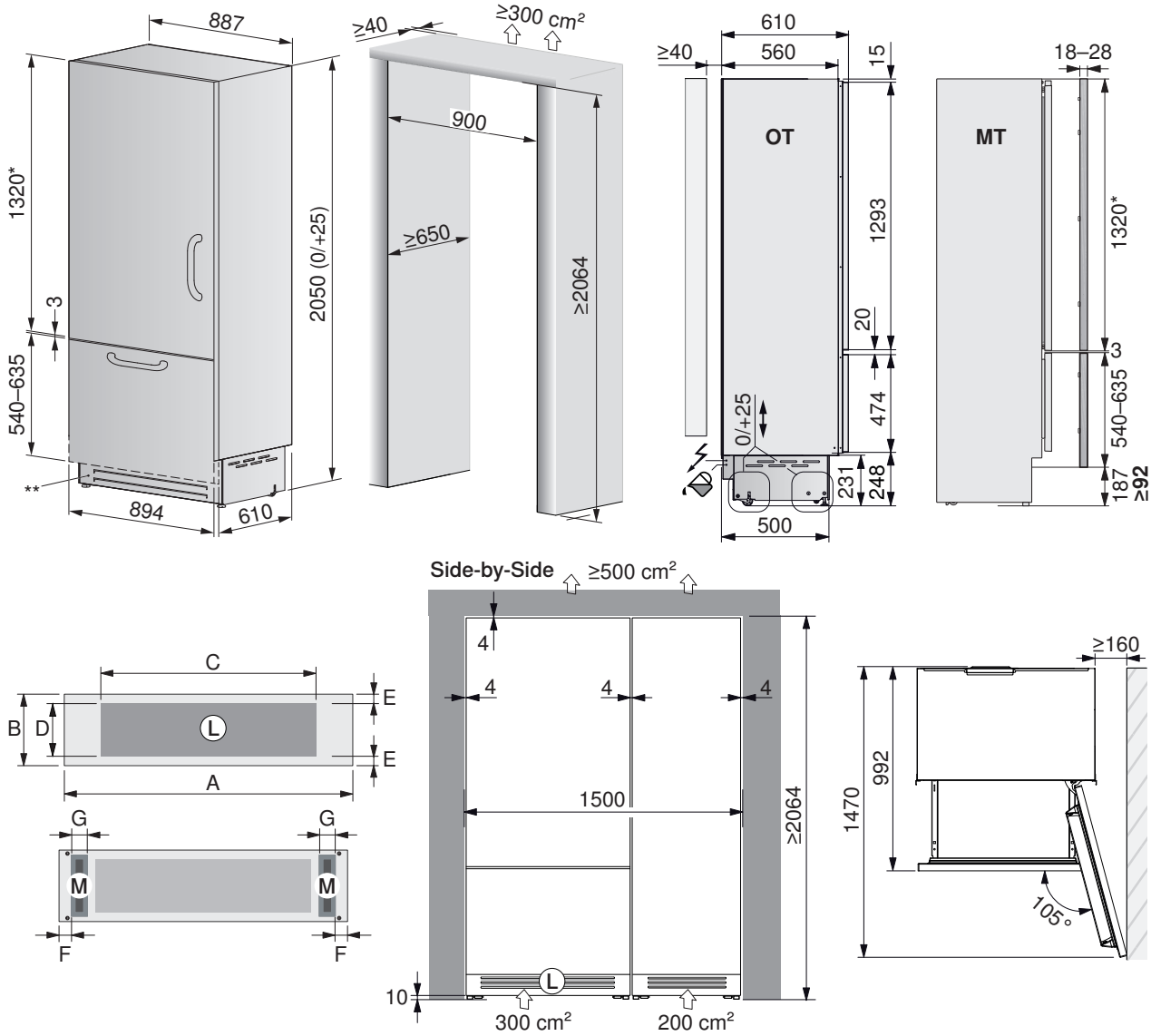
CombiCooler V6000 Supreme (51096) (fully integrated)

Gross weight: 212 kg. Maximum permissible weight of door panel: 23 kg (top) / 11 kg (bottom).

Water connection: Length 2.5 m, a water outlet and Aquastop does not have to be provided.

Fixed water connection: 3/4" internal thread, the water connection must be accessible at all times.

Electrical connection cable: 2 m.



* = For niche height >2064, height of door panel must be adjusted.

** = Chrome front grille can be replaced by kitchen cabinet front (for dimensions see installation instructions).

OT View without door panel, **MT** View with door panel, **L** Air inlet (at least 50% open), **M** Magnet for mounting.

Dimensions for ventilation grille and position of magnet:

A = 894, **B** = 215, **C** = 700, **D** = 200, **E** = approx. 10, **F** = 60, **G** = 15-30.

Installation accessories:

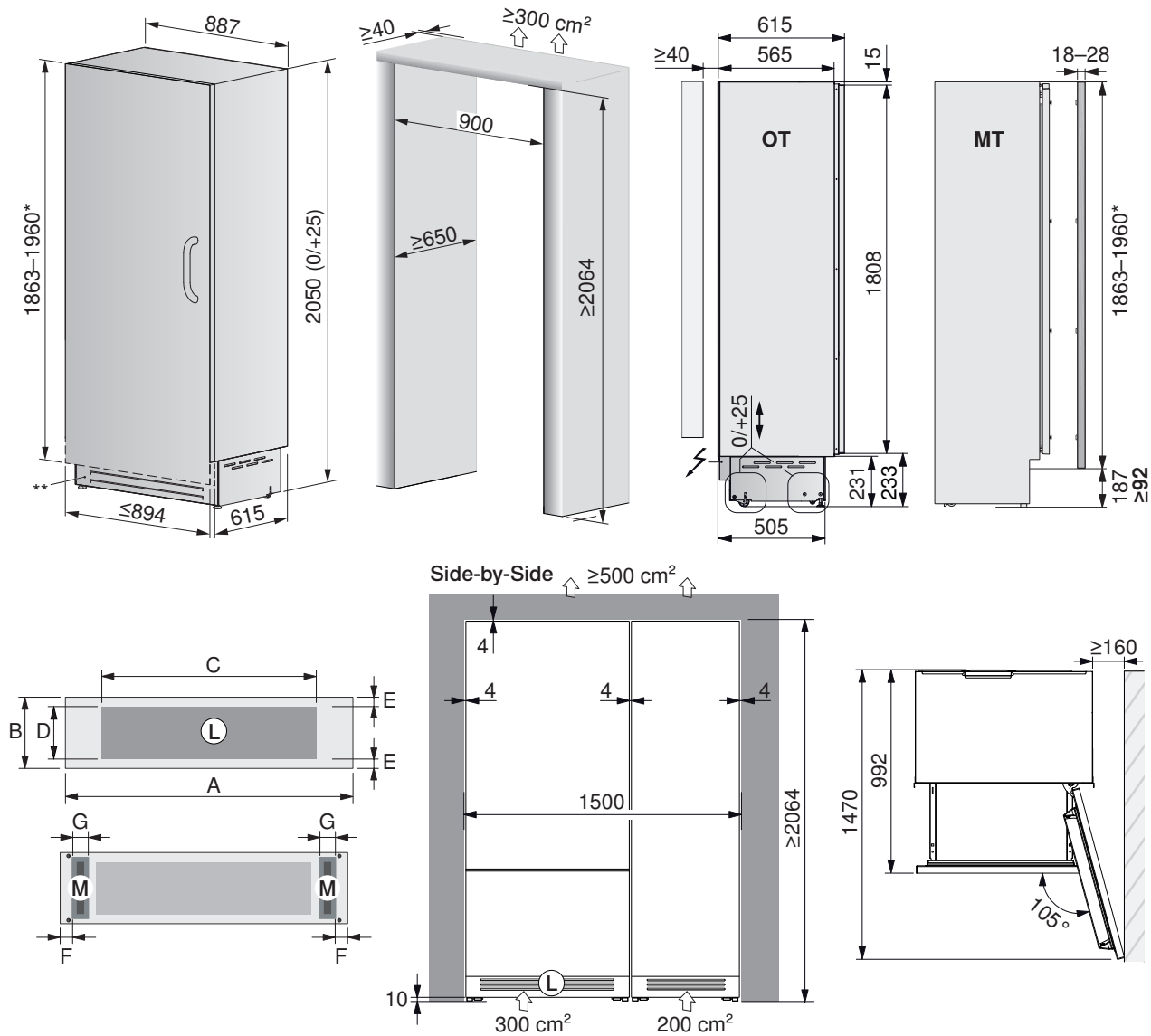
Chrome steel door panel set (incl. chrome designer handle) width: 894, height of fridge compartment: 1320, height of freezer compartment: 581.

Hinge left: Article no. **1090119**, hinge right: Article no. **1087155**.

For side-by-side installation: Lateral plastic connecting angle + lateral plastic cover strip (included in scope of delivery). Intermediate plastic cover strip (accessory available for order: article no. **1101167**).

Cooler V6000 Supreme (51098) (fully integrated)

Gross weight: 189 kg. Maximum permissible weight of door panel: 34 kg.
 Electrical connection cable: 2 m.



* = For niche height >2064, drill holes in and height of door panel must be adjusted (see installation instructions).
 ** = Chrome front grille can be replaced by kitchen cabinet front (for dimensions see installation instructions).

OT View without door panel, **MT** View with door panel, **L** Air inlet (at least 50% open), **M** Magnet for mounting.

Dimensions for ventilation grille and position of magnet:

A = 894, B = 215, C = 700, D = 200, E = approx. 10, F = 60, G = 15-30.

Installation accessories:

Chrome steel door panel set (incl. chrome designer handle) width: 894, height: 1904.

Hinge left: Article no. **1090120**, hinge right: Article no. **1087157**.

For side-by-side installation: Lateral plastic connecting angle + lateral plastic cover strip (included in scope of delivery).

Intermediate plastic cover strip (accessory available for order: article no. **1101167**).

13.6 Winecoolers

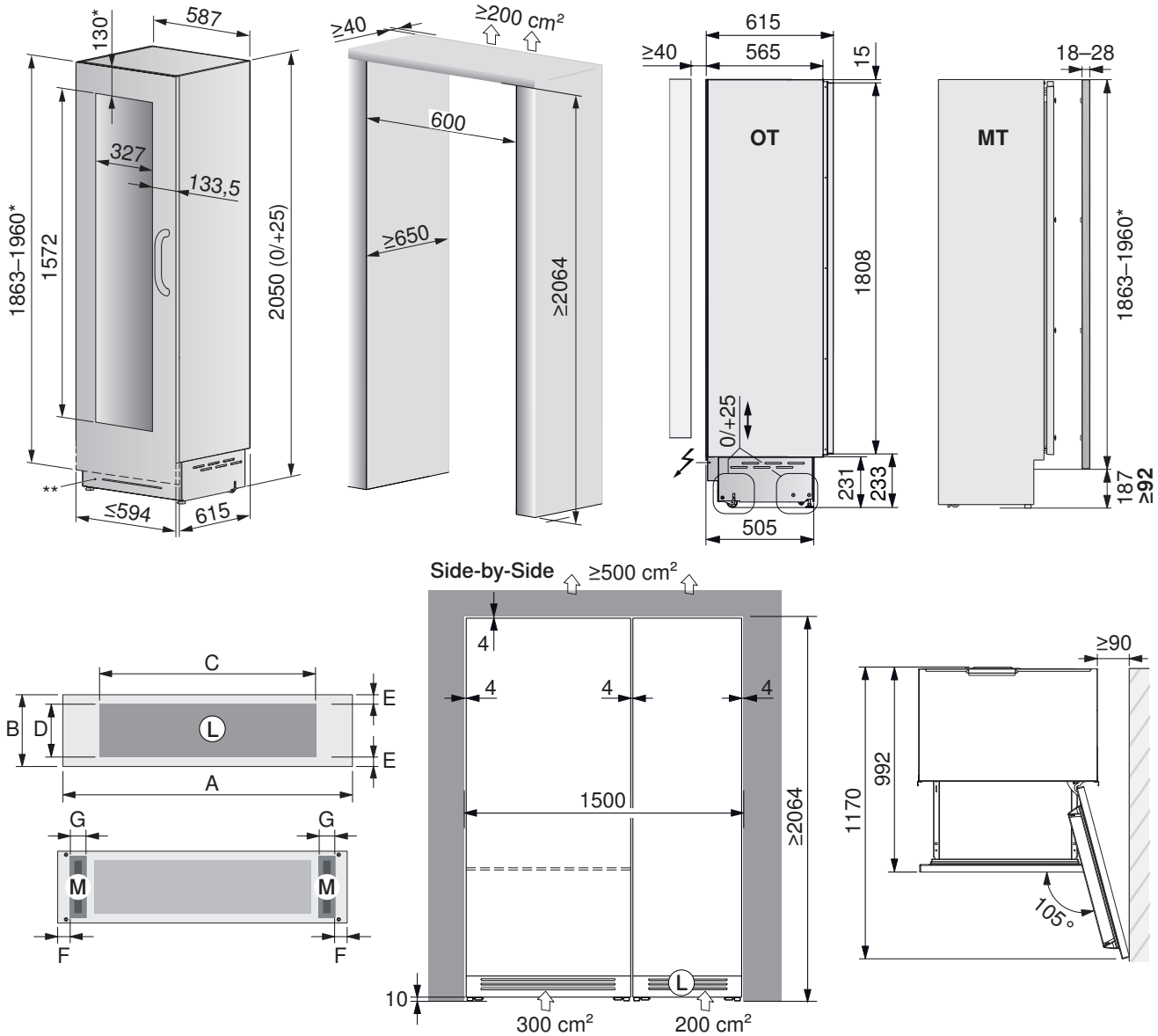


The installation kit for the assembly is included in the scope of delivery.

WineCooler V6000 Supreme (51097) (integrable)

Gross weight: 153 kg. Maximum permissible weight of door panel: 34 kg.

Electrical connection cable: 2 m.



* = For niche height >2064, drill holes in and height of door panel must be adjusted (see installation instructions).

** = Chrome front grille can be replaced by kitchen cabinet front (for dimensions see installation instructions).

OT View without door panel, **MT** View with door panel, **L** Air inlet (at least 50% open), **M** Magnet for mounting.

Dimensions for ventilation grille and position of magnet:

A = 594, **B** = 215, **C** = 400, **D** = 200, **E** = approx. 10, **F** = 60, **G** = 15-30.

Installation accessories: Chrome steel door panel set (incl. chrome designer handle) width: 594, height: 1904.

Hinge left: Article no. **1090121**, hinge right: Article no. **1087156**.

For side-by-side installation: Lateral plastic connecting angle + lateral plastic cover strip (included in scope of delivery). Intermediate plastic cover strip (accessory available for order: article no. **1101167**).

Model	Installation type	Niche height H
51097	EURO 60	≥2064

13.7 Freezers

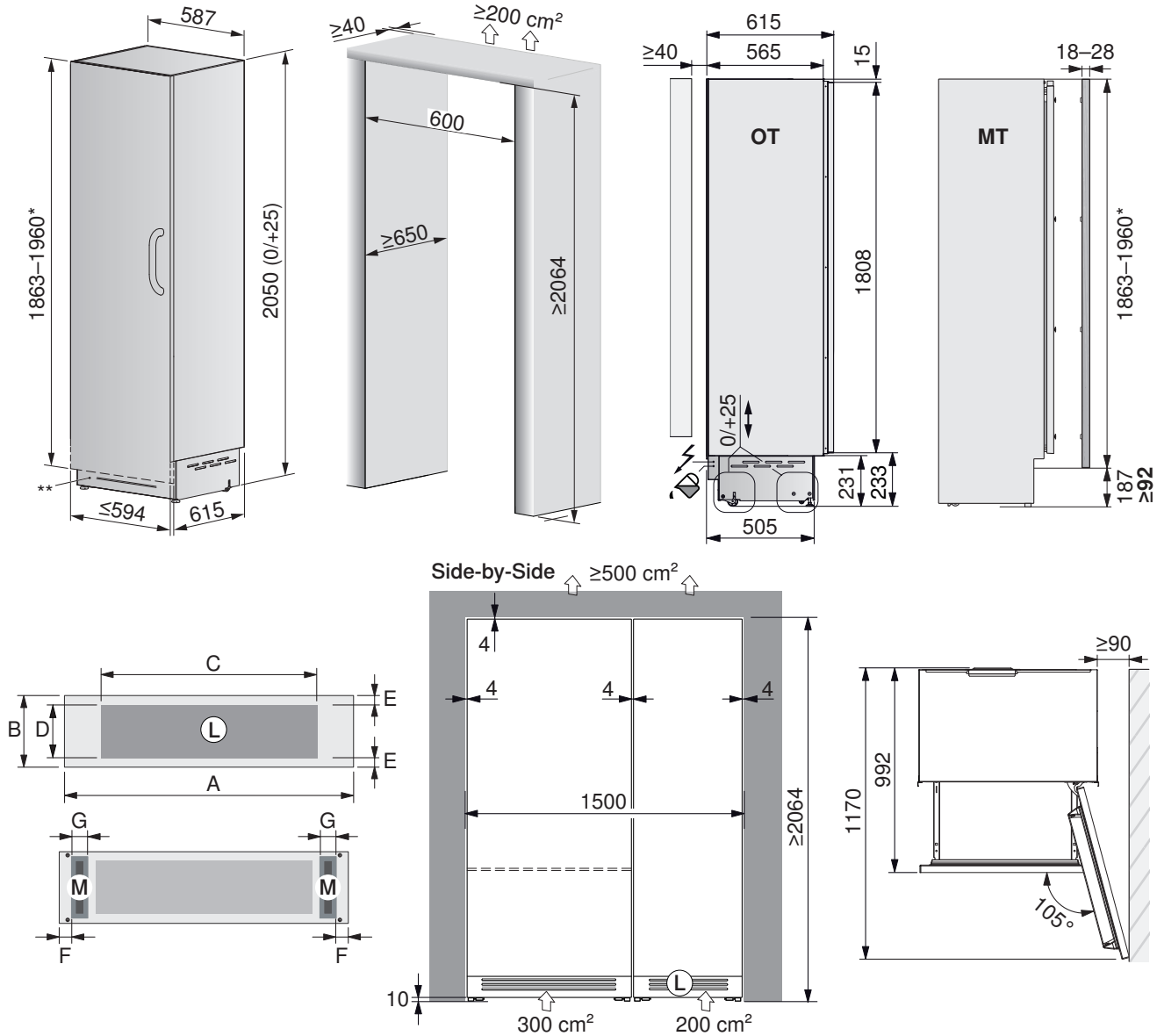
Freezer V6000 Supreme (51099) (fully integrated)

Gross weight: 153 kg. Maximum permissible weight of door panel: 34 kg.

Water connection: Length 2.5 m, a water outlet and Aquastop does not have to be provided.

Fixed water connection: 3/4" internal thread, the water connection must be accessible at all times.

Electrical connection cable: 2 m.



* = For niche height >2064, drill holes in and height of door panel must be adjusted (see installation instructions).

** = Chrome front grille can be replaced by kitchen cabinet front (for dimensions see installation instructions).

OT View without door panel, MT View with door panel, L Air inlet (at least 50% open), M Magnet for mounting.

Dimensions for ventilation grille and position of magnet:

A = 594, B = 215, C = 400, D = 200, E = approx. 10, F = 60, G = 15-30.

Installation accessories: Chrome steel door panel set (incl. chrome designer handle) width: 594, height: 1904.

Hinge left: Article no. 1090126, hinge right: Article no. 1090125.

For side-by-side installation: Lateral plastic connecting angle + lateral plastic cover strip (included in scope of delivery). Intermediate plastic cover strip (accessory available for order: article no. 1101167).

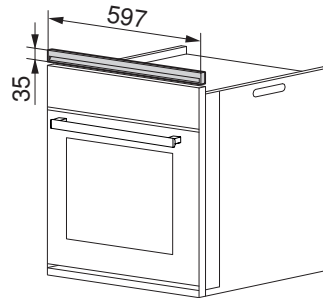
14 Accessories

14.1 Ovens / steam cookers / microwave ovens / coffee machines / vacuum drawers / warming drawers / system drawers

Compensation elements

Ventilation grille

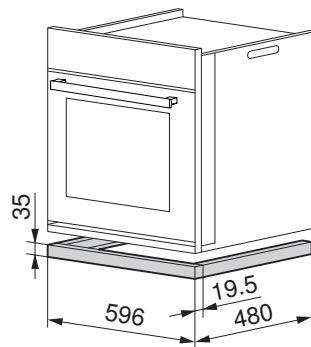
- Ventilation grilles are needed when glass ceramic hobs are installed over ovens.
- For installation above the control panel, see installation instructions J40254.



Niche width 60 cm		
Designation	Appliance height	Article no.
White	60 cm	H63161
Nero	60 cm	H63163
ChromeClass	60 cm	H63256

Adapter frame

- For installation, see installation instructions J73.050.
- Installation below the appliance

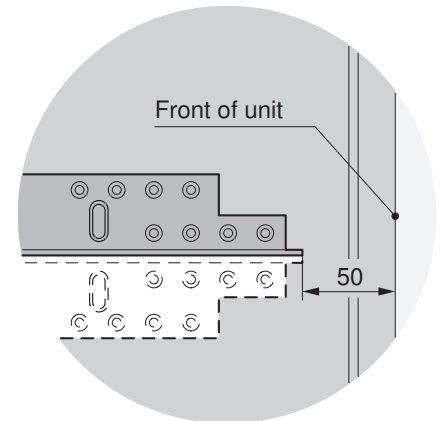


Niche width 60 cm		
Designation	Appliance height	Article no.
White	38.1/60 cm	K38137
Nero	38.1/60 cm	K38136
ChromeClass	38.1/60 cm	K48135
Black glass	38.1/60 cm	K38134
AluClass	38.1/60 cm	K38133

Angle set for combination possibilities

- For installation, see installation instructions J21021050.
- ▶ In the niche mount to the wood left and right.
- ▶ The appliance is placed on the mounting angle and pushed into the niche.

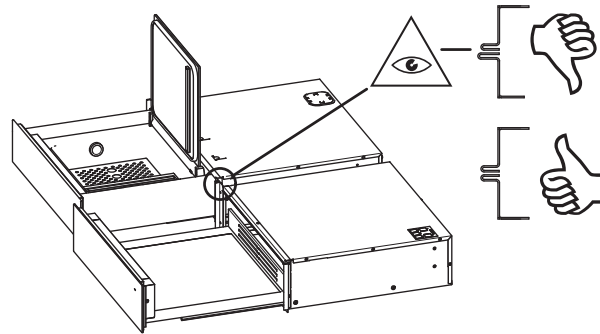
Art. no. K50572, construction type EURO



Trim kit (edge protection)

- For installation, see installation instructions:
1044771, 1044772, 1075859.

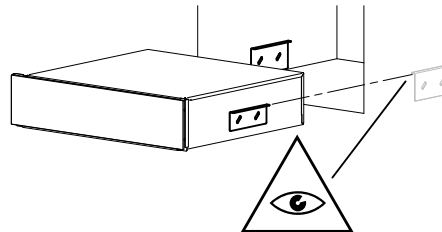
Art. no. 1056472 trim kit (edge protection)
 only needs to be ordered once.



Anti-tip set

- For installation, see installation instructions:
1044772.

Art. no. 1016692 Anti-tip set
 only needs to be ordered once.



Design cover

The design cover covers the intermediate base for EURO niches and is for a combined installation of two appliances e.g. oven **1** and combi-steam cooker **2**. The cover is dimensioned for panel overlapping of 4 mm.

- For installation, see installation instructions J340050
- Depending on the thickness of the intermediate base **b**, two variants (nero) of the design cover **A** are available:

Art. no. K37158 (**b** = 16 mm / **a** = 10.5 mm)

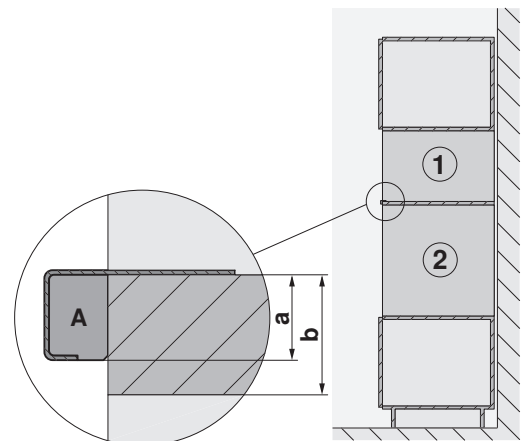
Art. no. K37159 (**b** = 19 mm / **a** = 13.5 mm)

Aesthetic profile

Assembly kit with aesthetic profile for installing Miwell next to another appliance.

- For installation, see installation instructions 1009019

Art. no.1009179





Drain hose

5 m drain hose for steam cooker with fixed water connection CSTXSFLF.

Art. no.1012933

14.2 Hobs and gas hobs

Ventilation protective plate set for installation below induction hobs		Article no.	Installation instructions
Niche width 600 mm with seal	For all other induction appliances	H61083	J40248
Niche width 825 mm with seal		H61084	
Niche width 900 mm with seal		H61085	
Niche width 600 mm without seal	- for induction GK46TIMPS..., GK47TIMPS...	H61087	
Niche width 825 mm without seal		H61088	
Niche width 900 mm without seal		H61089	
Ventilation grille, height 35 mm for built-under short ovens		Article no.	Installation instructions
Type of construction 60-600			
- White		H63161	J40254
- Nero		H63163	
- ChromeClass		H63165	
- ChromeClass (TouchClean)		H63256	
Type of construction 60-450			
- Nero		H60039	J40250
- ChromeClass		H60041	
- ChromeClass (TouchClean)		H60053	
Type of construction 60-381			
- Nero		H60033	J40252
- ChromeClass		H60035	
- ChromeClass (TouchClean)		H60049	
Angle set for flush installation with straight stone cut		Article no.	Installation instructions
- Hob size 30		H63770	J004133
- Hob size 40		H63771	
- Hob size 60		H63772	
- Hob size 70		H63773	
- Hob size 80		H63774	
- Hob size 90		H63775	
- Hob size 90 Panorama		H62568	
Set for flush installation		Article no.	Installation instructions
Sealing strip set		H63283	J004133
Spacer set		H60330	
Adjusting brace set for mounting in glass worktops		Article no.	Installation instructions
Adjusting brace set		H62510	J41699



Intermediate support sets for combined installation	Article no.	Installation instructions
Stainless steel intermediate support for the surface-mounted combination of several hobs	1014361	1013773
Black intermediate support for the surface-mounted combination of several hobs	1019199	
Side strips for combination installation with Teppan Yaki and hob hood	1028587	
Intermediate support (2× contained in set) for the flush-mounted combination of several hobs	H63789	1014381
Special gas hobs	Article no.	Installation instructions
Gas deflector for DSMS combination and gas hob	1031218	-
Sealing ring for gas connection, flat	1030096	-
Installation accessories for hobs	Installation instructions	
Instant adhesive for installation of the steel angle (50 ml)	B11657	
Straight mixing nozzle	B11656	
Applicator gun	-	
Sealing strip set (tape and spacer material)	H63283	
Sealing tape 10 × 3 × 2800	86392887	
Sealing tape 5 × 1.5 × 2552	H62377	
Spacer set	H60330	
TREMCLEAN isopropyl alcohol (1000 ml)	1056609	
Black silicone FA880 (310 ml)	B11555	
Anthracite silicone FA880 (310 ml)	B11556	
White silicone FA880 (310 ml)	1031313	
Stone grey silicone FA880 (310 ml)	1031314	
Marble smoothing agent AA320 (1000 ml)	B11557	
Fugenboy (silicone finishing tool)	B75158	

Nozzle sets for gas hobs in the overview (see page 54)

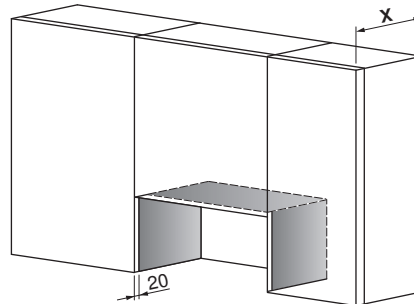
14.3 Range hoods



Technical information on the range hoods can be found in document «TechInfo for range hoods» under J32836 (EN), 1007182 (IT), 1008408 (DE), 1008409 (FR).

Protective plate for side walls

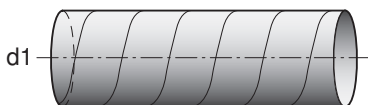
The protective plates for the side walls are needed to protect the sides of the wall unit from grease and moisture.



Designation	Dimensions (height x depth)	Wall unit depth x	Colour	Article no.
Protective plate for side walls	235 x 310 mm	330 mm	White	K26092
Protective plate for side walls	235 x 310 mm	330 mm	Nero	K26093
Protective plate for side walls	235 x 310 mm	330 mm	ChromeClass	K26094
Protective plate for side walls	235 x 330 mm	350 mm	White	H42792
Protective plate for side walls	235 x 330 mm	350 mm	Nero	H42791
Protective plate for side walls	235 x 330 mm	350 mm	ChromeClass	H42790
Protective plate for side walls	235 x 350 mm	370 mm	White	H42795
Protective plate for side walls	235 x 350 mm	370 mm	Nero	H42794
Protective plate for side walls	235 x 350 mm	370 mm	ChromeClass	H42793

Helically wound pipes

Helically wound pipe



Description

Strong, helically wound pipe, sendzimir galvanized

Material thickness 0.5 mm

1 à 3 m

Art.-no.

H42028

H42029

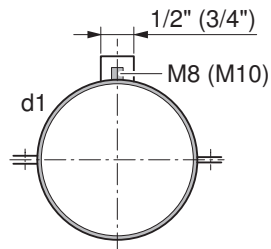
d1

ø125 mm

ø150 mm

Fastening elements

Pipe clip with thread

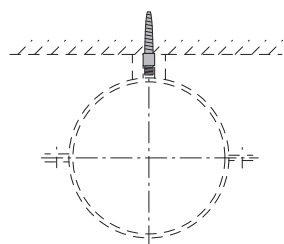


Description

For mounting the helically wound pipe
 2-part set with sound insulation insert, incl. screws and nuts
 Galvanized steel, thread M8

Art. no. d1
 H42050 ø150 mm

Double-threaded pin M8, galvanized

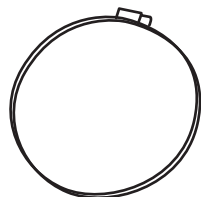


Description

For mounting the pipe clip in the concrete wall
 Length 40 mm

Art. no.
 H42057

Quick-locking hose clamp

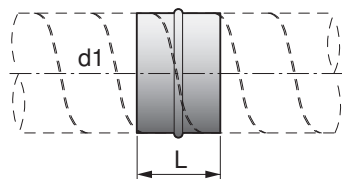


Art. no.

33121304 ø110–130 mm
 33121336 ø150 mm

Connecting nipples / connecting pipes

Connecting nipple

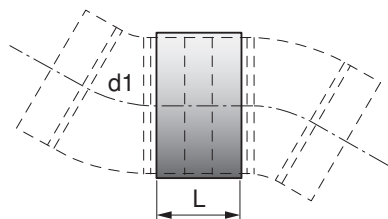


Description

Sendzimir galvanized sheet steel
 L = 80 mm

Art. no. d1
 H42031 ø150 mm

Connecting pipe



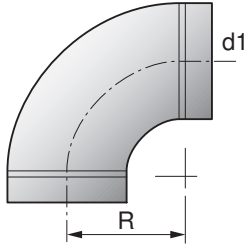
Description

Sendzimir galvanized sheet steel
 L = 90 mm

Art. no. d1
 H42032 ø125 mm
 H42033 ø150 mm

Elbows

Elbow 90°



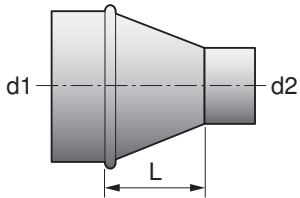
Description

Elbow, pressed, $R = d1$
Use with flexible and rigid pipes
Sendzimir galvanized sheet steel

Art. no.	d1
H42034	ø125 mm
H42036	ø150 mm

Reducers

Reducer



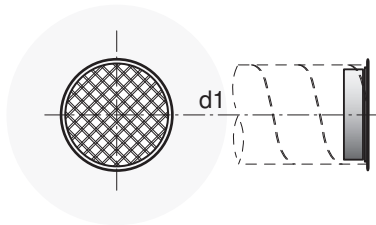
Description

Pressed version, $L = 22$ mm
Sendzimir galvanized sheet steel

Art. no.	d1
H42040	ø150–125 mm

Pipe end pieces

Pipe end piece



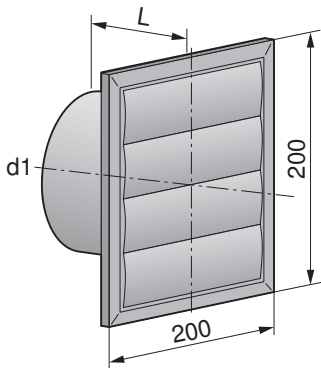
Description

Connection with grille
Sendzimir galvanized sheet steel

Art. no.	d1
H42048	ø150 mm

Weather protection grilles

Weather protection grille made from plastic

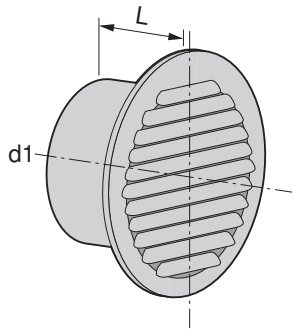


Description

Weather protection grille without a non-return flap valve, square with connection piece
weatherproof, $L = 40$ mm

Art. no.	d1
H42080	ø150 mm, white

Weather protection grille



Description

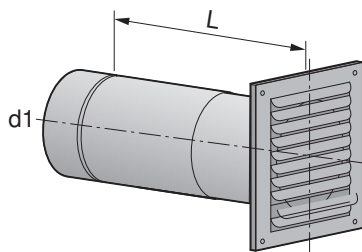
Weather protection grille without a non-return flap valve, round, pressed, made from aluminium

With fly screen and connection piece, L = 45 mm

Art. no.	d1
H42064	ø150 mm

Wall pipes

Telescopic wall pipe with non-return flap valve



Description

3-part set, L = Wall thickness 300–460 mm

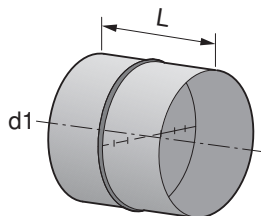
Sendzimir galvanized sheet steel

Grille made from aluminium; can be painted

Art. no.	d1
H42065	ø125 mm
H42066	ø150 mm

Flaps

Non-return flap valve with sealing lip



Description

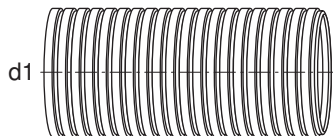
Made from robust sheet steel

For flexible and rigid pipes, L = 80 mm

Art. no.	d1
H42061	ø125 mm
H42062	ø150 mm

Hoses

Aluminium hose, semi-flexible



Description

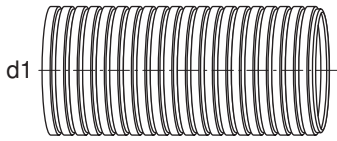
Round Aluflex, semi-flexible

Dimensionally stable, flame resistant

1 à 3 m

Art. no.	d1
H42051	ø125 mm
H42052	ø150 mm
H40168	ø160 mm

Aluminium hose, highly flexible

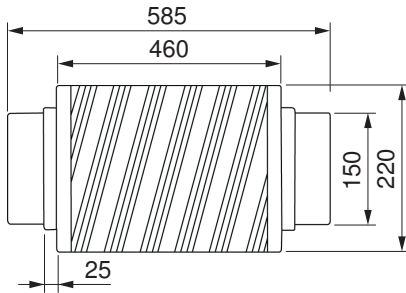


Description

Round Aluflex, highly flexible
Internal bending radius 30–60 mm
Dimensionally stable, flame resistant

Art. no.	d1
H42053	ø125 mm, 1 à 10 m
16955803	ø150 mm, 1 à 15 m

Noise insulation, aluminium



Description

Noise insulation made of aluminium for ø150 mm pipe dimension.
Noise reduction of up to 22 dB.

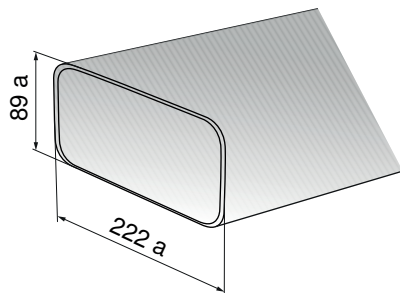
Art. no.	ø150 mm
1030591	

Flat channel systems made of plastic



Accessory parts made of non-fireproof plastic.

Flat channel

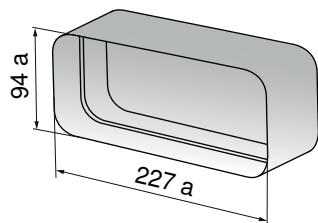


Description

Ventilation duct without sleeve

Art. no.	L = 1000 mm
1012780	

Channel connector

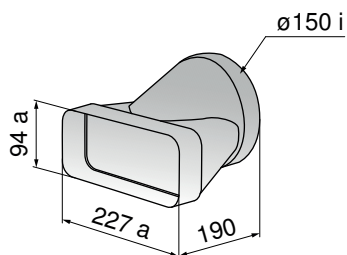


Description

For straight ventilation pipes

Art. no.	L = 80 mm
1012781	

Transition piece for flat channel

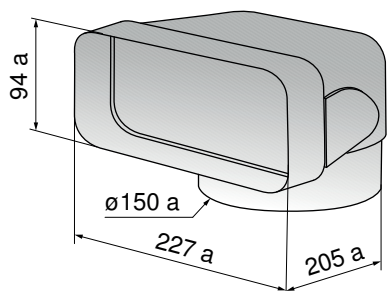


Description

Formed sleeve for direct transition from flat to round
 Fluidically optimized

Art. no.
 1012782

Diverter piece on flat channel 90°

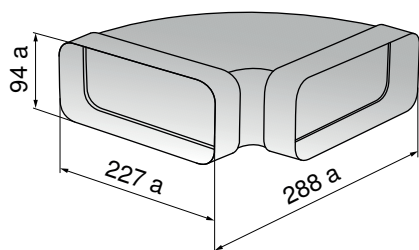


Description

For direct hood connection with air guides and formed sleeve at one end

Art. no.
 1012783

Elbow 90°, horizontal

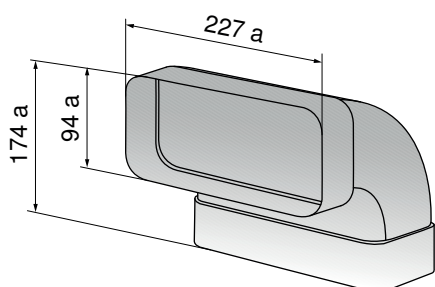


Description

With air guides and formed sleeve at both ends

Art. no.
 1012784

Elbow 90°, vertical

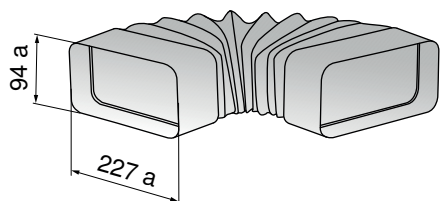


Description

With air guides and formed sleeve at both ends

Art. no.
 1012785

Flexible elbow, flat



Description

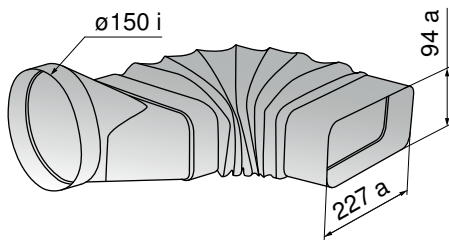
For bends and turns up to 90°

Adapter, flexible, angular to angular, with formed sleeve

Art. no.
 1012786

L = 240–600 mm

Flexible elbow, round onto flat



Description

For bends and turns up to 90°

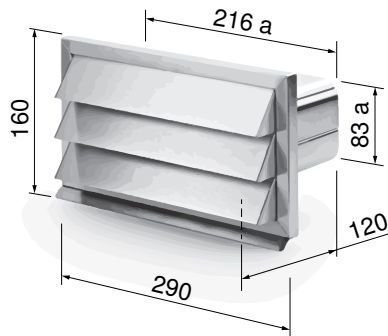
Adapter, flexible, round to angular, with formed sleeve

Art. no.

1012787

L = 160–550 mm

Weather protection grille for plastic flat channel



Description

Ventilation grille for plastic flat channel, ChromeClass

with non-return flap valve. Compatible with flat channel art. no. 1012780

Art. no.

1030590

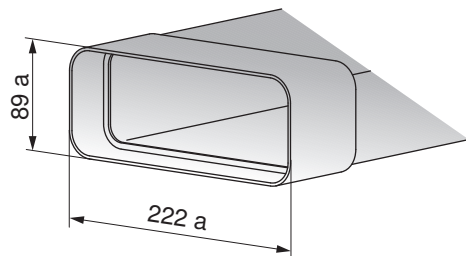
290 × 160 mm

Flat channel systems made of metal



Accessory parts made of fireproof metal

Flat channel



Description

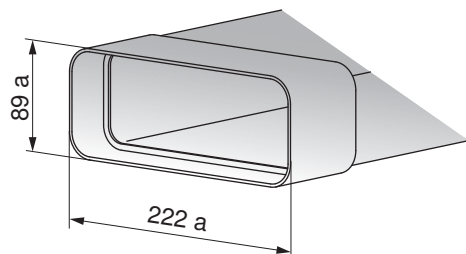
Flat channel with seal

Art. no.

1046627

L = 500 mm

Flat channel



Description

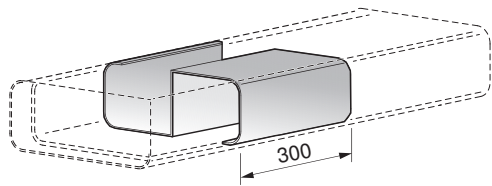
Flat channel with seal

Art. no.

1046628

L = 1000 mm

Reinforcing rib for embedding in concrete



Description

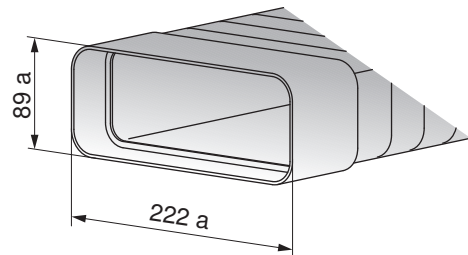
Reinforcing rib for embedding in concrete (tread load of up to 100 kg)
 1× required for use in flat channel (L=500mm) art. no. 1046627
 2× required for use in flat channel(L=1000mm) art. no. 1046628

Art. no.

1077495

L = 300 mm

Flat channel, flexible



Description

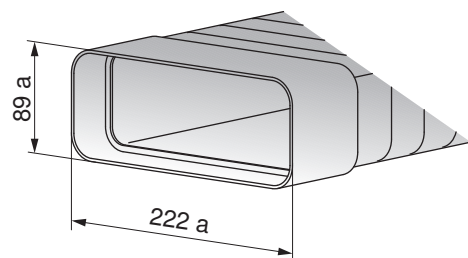
Flat channel, flexible, with seal

Art. no.

1046629

L = 500 mm

Flat channel, flexible



Description

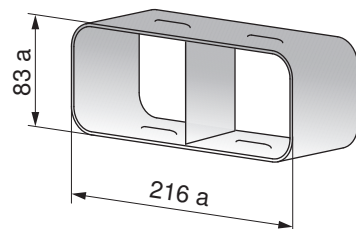
Flat channel, flexible, with seal

Art. no.

1046635

L = 1000 mm

Channel connector



Description

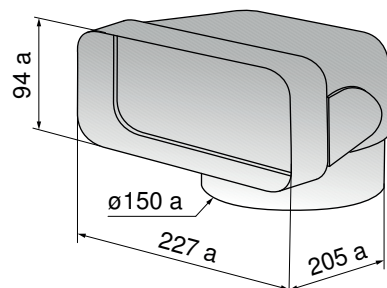
For straight flat channels

Art. no.

1046636

L = 100 mm

Diverter piece on flat channel 90°



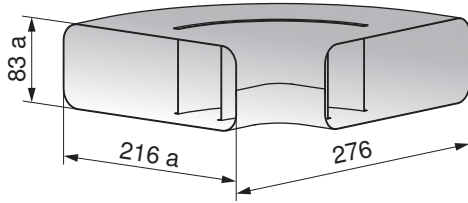
Description

For direct hood connection with air guides and formed sleeve at one end

Art. no.

1046638

Elbow 90°, horizontal



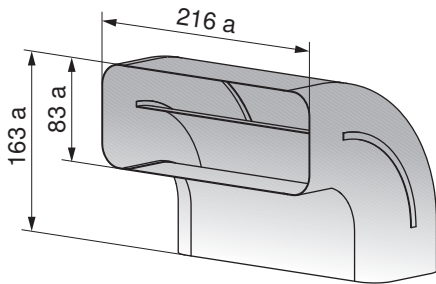
Description

Elbow with air guides

Art. no.

1046639

Elbow 90°, vertical



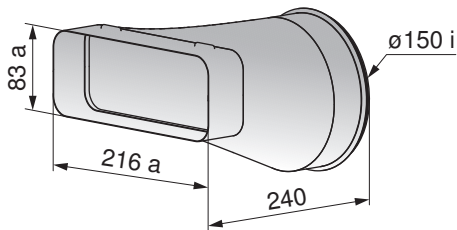
Description

Elbow with air guides

Art. no.

1046643

Transition piece for flat channel



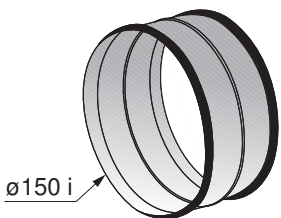
Description

For direct transition from flat to round, fluidically optimized

Art. no.

1046644

Pipe connection

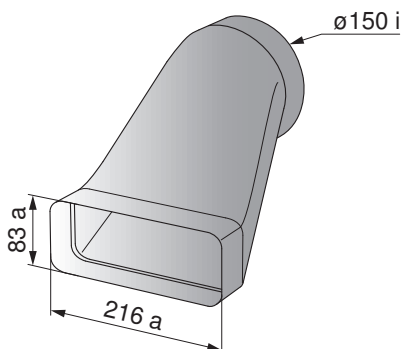


Art. no.

1046646

d = 150 mm

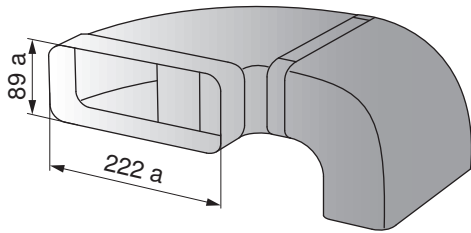
Offsetting end piece on base motor



Art. no.

1046649

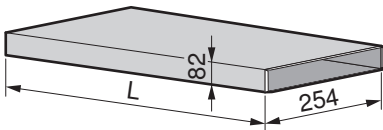
Pipe set for hob hoods



Art. no.
 1046650

Flat channels

Flat channel



Description

Exhaust ducting system with very low installation height of 82 mm
 Sendzimir galvanized sheet steel
 Corresponds to nominal diameter $\varnothing 150$ mm

Art. no.

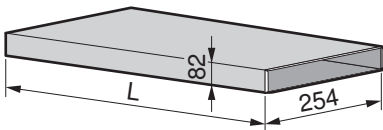
H42068

L = 1000 mm

H42069

L = 600 mm

Reinforced flat channel



Description

Exhaust ducting system with very low installation height of 82 mm
 Sendzimir galvanized sheet steel
 With reinforcement for concreting in
 Corresponds to nominal diameter $\varnothing 150$ mm

Art. no.

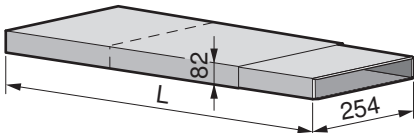
H42085

L = 600 mm

H42086

L = 1000 mm

Telescopic flat channel



Description

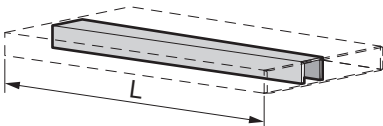
Exhaust ducting system with very low installation height of 82 mm
 Sendzimir galvanized sheet steel
 Corresponds to nominal diameter $\varnothing 150$ mm

Art. no.

H42070

L = 275–535 mm

Reinforcing rib for flat channel



Description

For concreting in flat channel

Art. no.

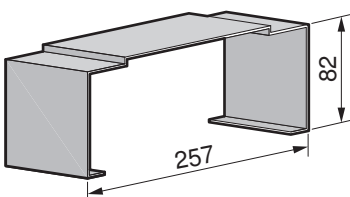
H42071

L = 600 mm

H42072

L = 1000 mm

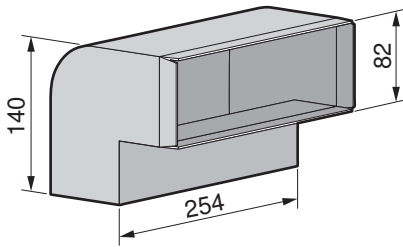
Mounting bracket for flat channel



Art. no.

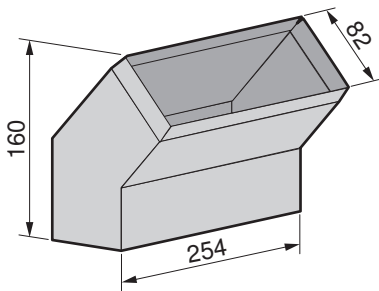
H42073

Elbow 90°, vertical, for flat channel



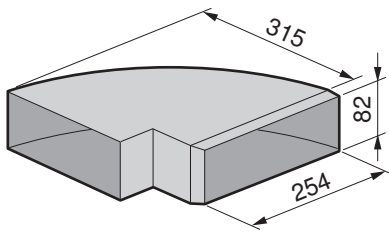
Art. no.
 H42074

Elbow 45°, vertical, for flat channel



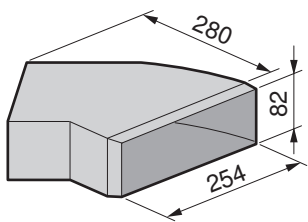
Art. no.
 H42075

Elbow 90°, horizontal, for flat channel



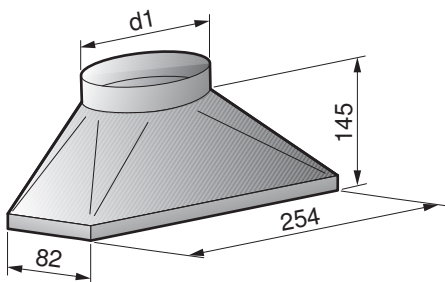
Art. no.
 H42076

Elbow 45°, horizontal, for flat channel



Art. no.
 H42077

Transition piece for flat channel



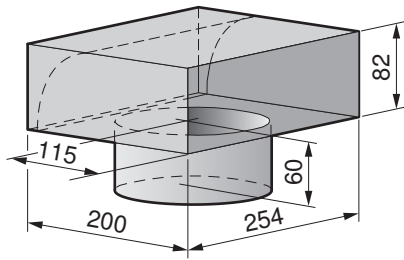
Description

For transition from round to flat

Art. no.
 H42078

d1
 ø150 mm

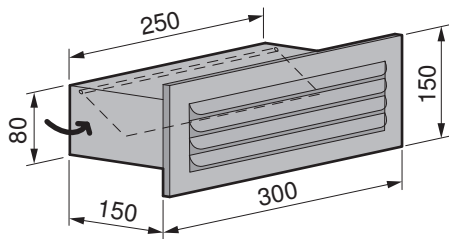
Diverter piece on flat channel



Art. no.
H42087
H42079

Connection \varnothing 125 mm
Connection \varnothing 150 mm

Flat channel wall box



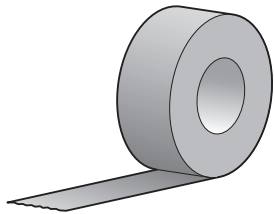
Description

With non-return flap valve and weather protection grille

Art. no.
H42054

Sealing tape

Aluminium tape



Description

Fabric-reinforced tape, with protective film, 50 mm x 50 m roll

Art. no.
H42067



14.4 Dishwashers

AdoraDish

Mirror glass fronts (option)

Integrated	Width	Height	Depth	Article no.
Decor set 60 standard mirror glass	596 mm	632 mm	20 mm	W83526
Decor set 60 extra height mirror glass	596 mm	697 mm	20 mm	W83527

Diverse sets

Set	Article no.	Remarks
Conversion kit for slide plate	W83583	In place of the plinth runners, for the installation on a plinth or for the tall unit.
Compensator set, black	W82043	Additional order for «Black glass» appliances. The set can also be used for «ChromeClass» appliances.
Plinth runner	W82930	For height compensation in a niche
Work surface protection	W70163	Protection against escaping moisture
Set of strong tension springs for standard appliances	W84603	For heavier decor panels
Set of strong tension springs for extra height appliances	W84604	For heavier decor panels
CS set of long hoses V6000 / V4000B	1032108	Conversion to 3 m Aquastop and 3 m drain hose*
CS set of long hoses V2000 / V4000	1091481	Conversion to 3 m Aquastop and 3 m drain hose*
CS set containing door hinge brake	1011228	For very heavy decor panels for appliances with door opener



* Conversion must be carried out by qualified personnel.



14.5 Refrigerators

Designation	Article no.	Remarks
Supplementary kit 60 cm (filler strip)		
KPRi, KPRTi	H71756	Length 1780 mm
Installation kit for stone cladding		
Adapter profile KWUCSL60	1062627	Height ≥ 30 mm
Installation accessories for		
CombiCooler V6000 Supreme (51096):		
Chrome steel door panel set (incl. chrome designer handle), hinge right	1087155	Width 894 mm, Height of fridge compartment 1320 mm, Height of freezer compartment 581 mm
Chrome steel door panel set (incl. chrome designer handle), hinge left	1090119	
Cooler V6000 Supreme (51098):		
Chrome steel door panel set (incl. chrome designer handle), hinge right	1087157	Width 894 mm, Height 1904 mm
Chrome steel door panel set (incl. chrome designer handle), hinge left	1090120	
WineCooler V6000 Supreme (51097):		
Chrome steel door panel set (incl. chrome designer handle), hinge right	1087156	Width 594 mm, Height 1904 mm
Chrome steel door panel set (incl. chrome designer handle), hinge left	1090121	
Freezer V6000 Supreme (51099):		
Chrome steel door panel set (incl. chrome designer handle), hinge right	1090125	Width 594 mm, Height 1904 mm
Chrome steel door panel set (incl. chrome designer handle), hinge left	1090126	
For all V6000 Supreme appliances:		
Intermediate plastic cover strip for side-by-side installation	1101167	-
Long door handle, horizontal	1084381	Length 775 mm
Extra-long door handle, vertical	1084417	Length 1060 mm



15 V-ZUG-Home

15.1 Internet access



Internet access is required for use of V-ZUG-Home.

15.2 Scope of delivery

For appliances with V-ZUG-Home, the V-ZUG-Home module is integrated in the appliance and ready for operation. Models with a V-ZUG-Home module can be connected to the home network via WLAN.

Type of appliance	Model number	Connection type
Ovens	21096–21101	WLAN
Steam cookers	23065–23081	WLAN
Dishwashers	41108–41125	WLAN
Induction hobs	31132, 31134	WLAN

15.3 Connecting to the home network

WLAN connection



Establishing a connection between an appliance and a wireless network is described in the operating instructions for «V-ZUG-Home». These can be found at home.vzug.com.



Index

A		
Accessories	102	
Compensation elements for combination possibilities	103	
Design cover	103	
Drain hose	104	
for range hoods	106	
for refrigerators	119	
Gas hobs	105	
Installation for hobs	105	
Adapter frame	102	
Adjusting brace set	104	
Angle set	104	
Angle set for combination possibilities	103	
B		
Built-in range hoods	79	
C		
Coffee machines		
Accessories	102	
Combination possibilities		
Ovens	22	
Steam cookers	22	
Compensation elements		
Adapter frame	102	
Angle set for combination possibilities	103	
Design cover	103	
Ventilation grille	102	
D		
Design cover	103	
Dishwashers		
Plumbing-in data	83	
Dishwashers with heat pump	90	
Electrical connection data	92	
Plumbing-in data	92	
E		
Electrical connection data		
Dishwashers Adora	82, 91	
Ovens	16	
Warming and system drawers	17	
Electrical connections		
Fault currents	5	
General operating conditions	5	
Position	8	
Residual current devices (RCD)	5	
Steam cookers	11	
Electrical connections and installation dimensions	5	
F		
Fault currents	5	
Flat channel systems made of metal	112	
Flat channel systems made of plastic	110	
Frequency stability	5	
Frequency variation	5	
Front dimensions of the appliances		
Manufacturing tolerance	10	
G		
Gas hobs		
Electrical connection data	52	
General operating conditions	5	
Glass ceramic hobs		
Examples for combined installation	61	
Induction hobs	24	
I		
Induction hobs	24	
Electrical connection data	24	
Induction woks	24	
Installation dimensions	5	
EURO	9	
Front dimensions	10	
Installing		
EURO	9	
Intermediate support set	105	
M		
Microwave ovens		
Accessories	102	
N		
Notes	123	
O		
Operating conditions		
General	5	
Ovens		
Accessories	102	
Electrical connection data	16	
P		
Plumbing in		
Dishwashers Adora	82, 91	
Positions of electrical connections	8	
R		
Range hoods	65	
Built-in range hoods	79	
Connecting nipples	107	
Connecting pipes	107	
Elbow	108	
Fastening elements	107	
Flaps	109	
Flat channels	115	
Helically wound pipes	106	
Hoses	109	
Pipe end pieces	108	
Reducers	108	
Sealing tape	117	
TechInfo for range hoods	106	
Wall pipes	109	
Weather protection grilles	108	
Range hoods: Special hoods	65	
Refrigerators	96	
Residual current devices (RCD)	5	

**S**

Sealing strip set	104
Spacer set	104
Special hoods	65
Steam cookers	11
Accessories	102
Installing	14
Plumbing in	15
Supplementary documents	2
TechInfo for range hoods	106
Symbols used	2
System drawers	17
Accessories	102

T

TechInfo for range hoods	106
--------------------------------	-----

U

Use at altitude	5
Useful links	2

V

Vacuum drawer	17
Vacuum drawers	
Accessories	102
Validity	6
Ventilation grille	102, 104
Ventilation protective plate set	104

W

Warming and system drawers	
Electrical connection data	17
Warming drawers	17
Accessories	102



16 Notes

CONTACT IN SWITZERLAND

V-ZUG Ltd
Industriestrasse 66
6302 Zug/Switzerland
www.vzug.com

Service & Support International
Tel. +41 58 767 67 78
service-support@vzug.com

